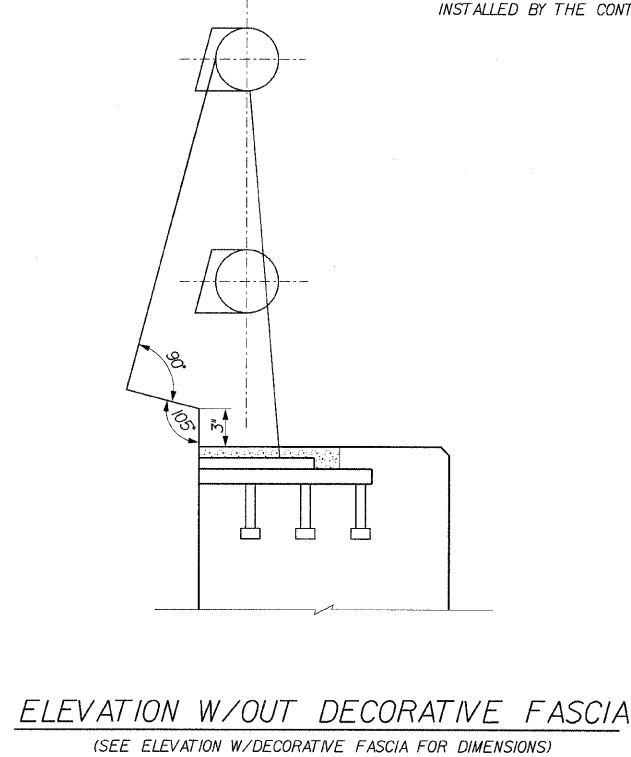
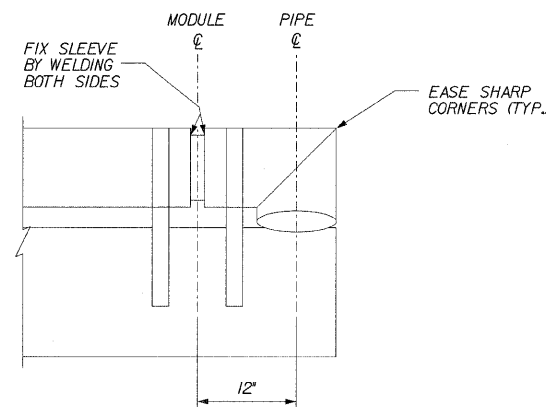


EMBEDDED PLATE, GUARDRAIL UPRIGHT
(AT TOP OF PLATE)

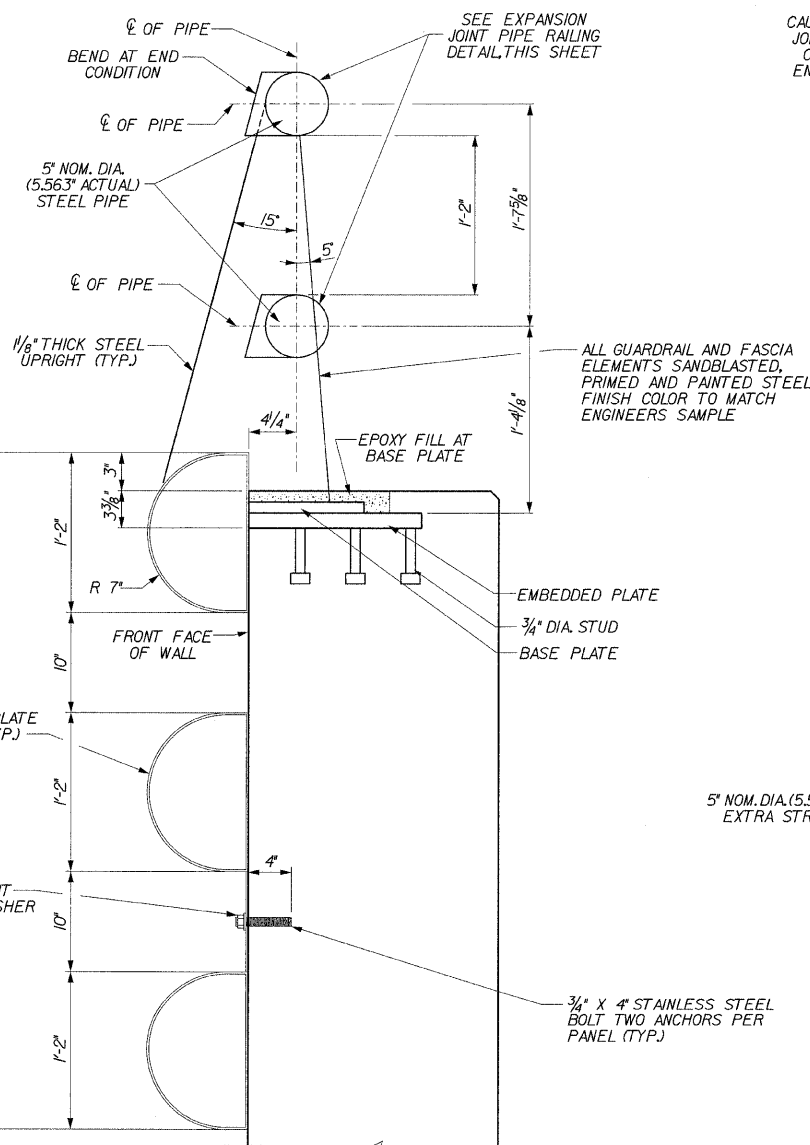
NOTE:
THE CONTRACTOR IS TO FURNISH MATERIAL, FABRICATE AND INSTALL EMBEDDED PLATES. THE DECORATIVE STEEL GUARDRAIL AND FASCIA IS TO BE SUPPLIED BY OTHERS AND INSTALLED BY THE CONTRACTOR.



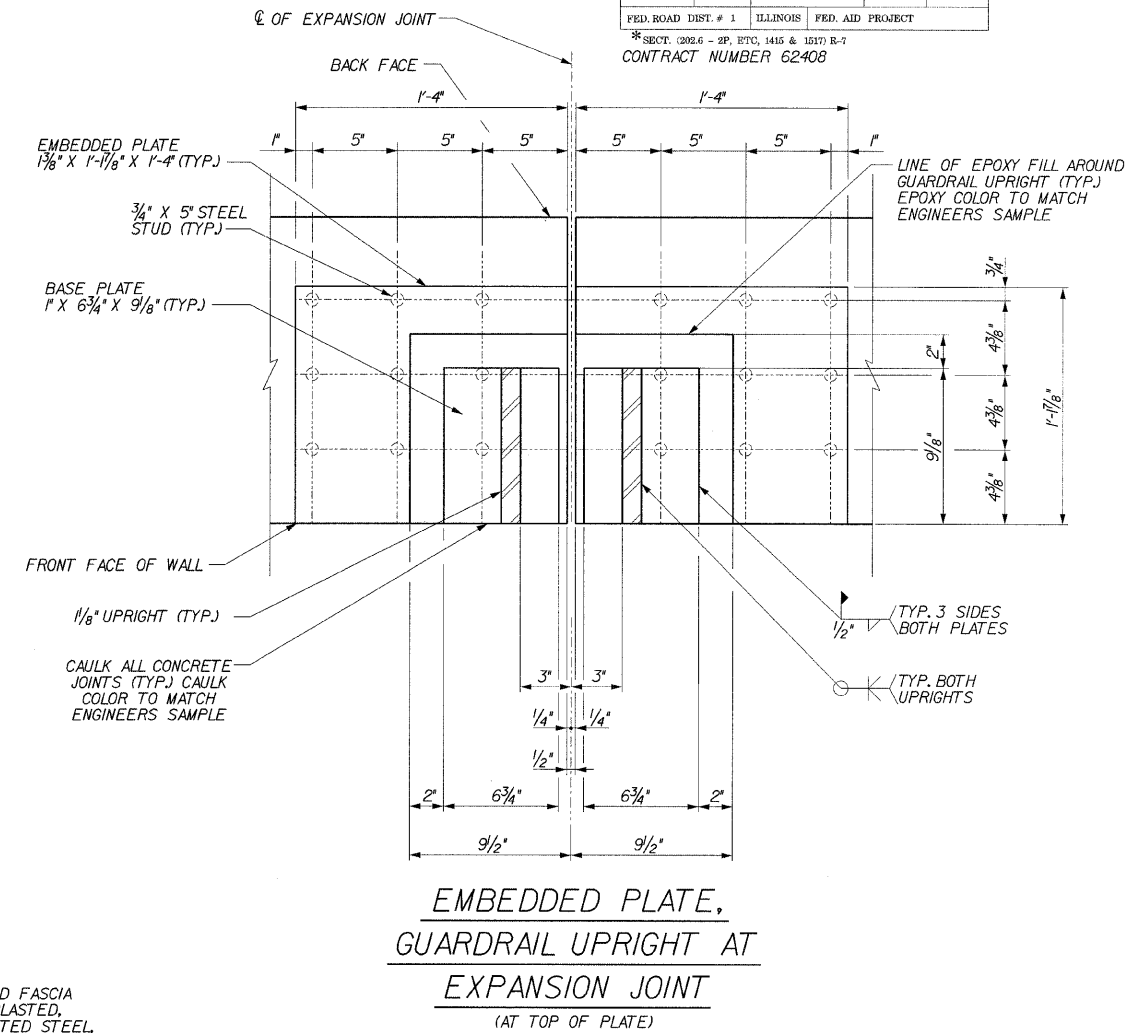
ELEVATION W/OUT DECORATIVE FASCIA
(SEE ELEVATION W/DECORATIVE FASCIA FOR DIMENSIONS)



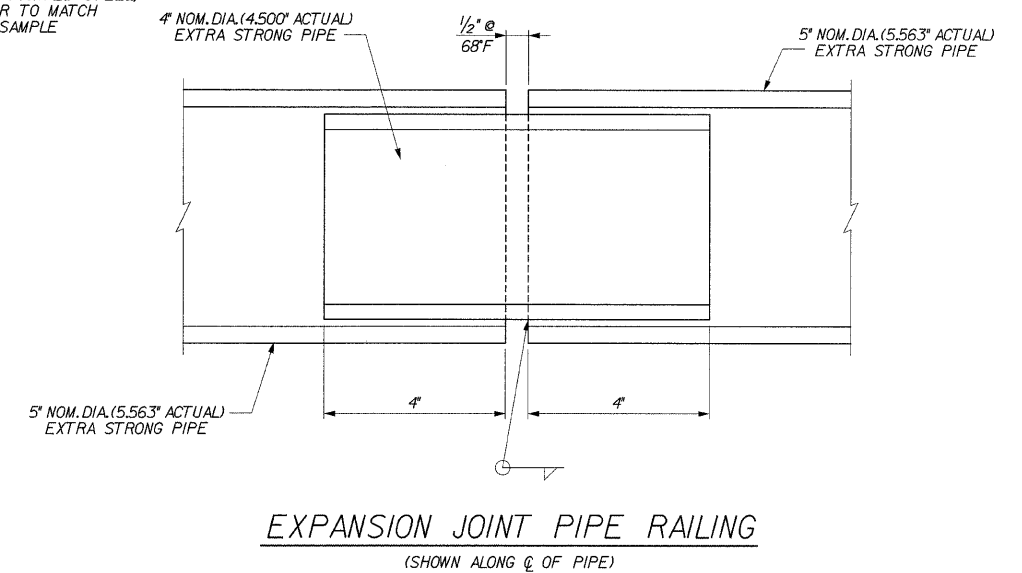
GUARDRAIL END CONDITION PLAN



ELEVATION W/DECORATIVE FASCIA



EMBEDDED PLATE, GUARDRAIL UPRIGHT AT EXPANSION JOINT
(AT TOP OF PLATE)



EXPANSION JOINT PIPE RAILING
(SHOWN ALONG Q OF PIPE)

DLZ 85 W. Algonquin Rd. Ste. 220
Arlington Heights IL 60005
DLZ Illinois, Inc.

RETAINING WALL RAMP F RAILING SYSTEM DETAILS
I-90/94 KENNEDY EXPRESSWAY
(HUBBARDS CAVE TO I-290)
SECT.(202.6 - 2P, ETC, 1415 & 1517) R-7
STATION 13+45 LT 22' TO 10+59 LT 22'
COOK COUNTY
STRUCTURE NUMBER 016-W807

REVISIONS	
NAME	DATE

DESIGNED	DPW
CHECKED	ASP
DRAWN	MJS
CHECKED	MBJ