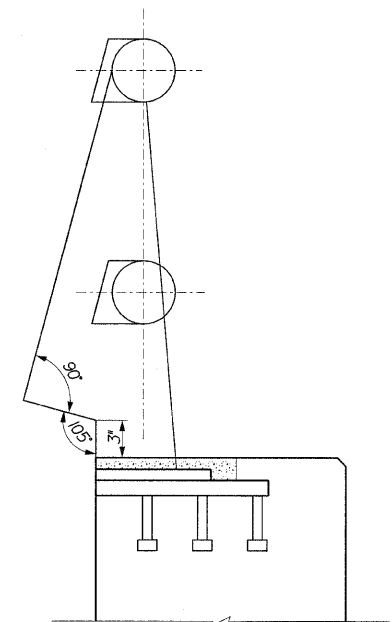
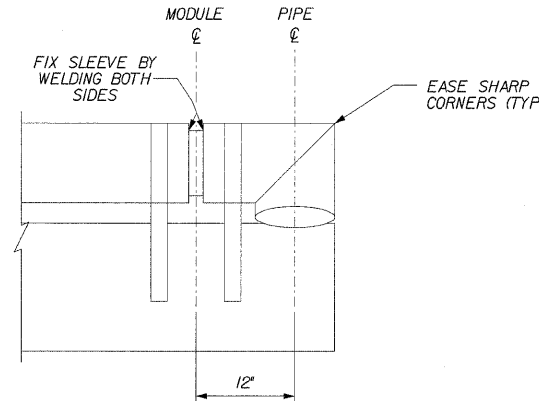


EMBEDDED PLATE, GUARDRAIL UPRIGHT
(AT TOP OF PLATE)

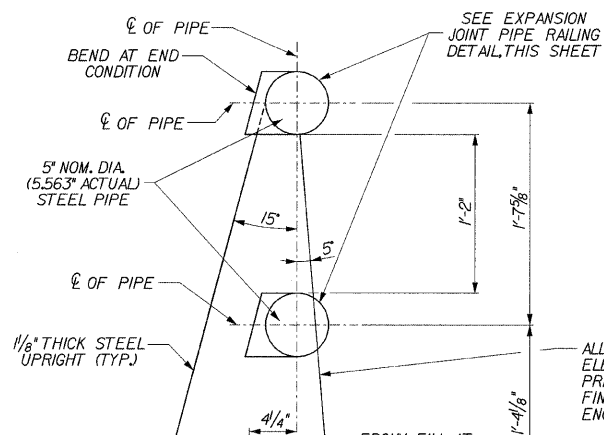
NOTE:
THE CONTRACTOR IS TO FURNISH MATERIAL, FABRICATE AND INSTALL EMBEDDED PLATES. THE DECORATIVE STEEL GUARDRAIL AND FASCIA IS TO BE SUPPLIED BY OTHERS AND INSTALLED BY THE CONTRACTOR.



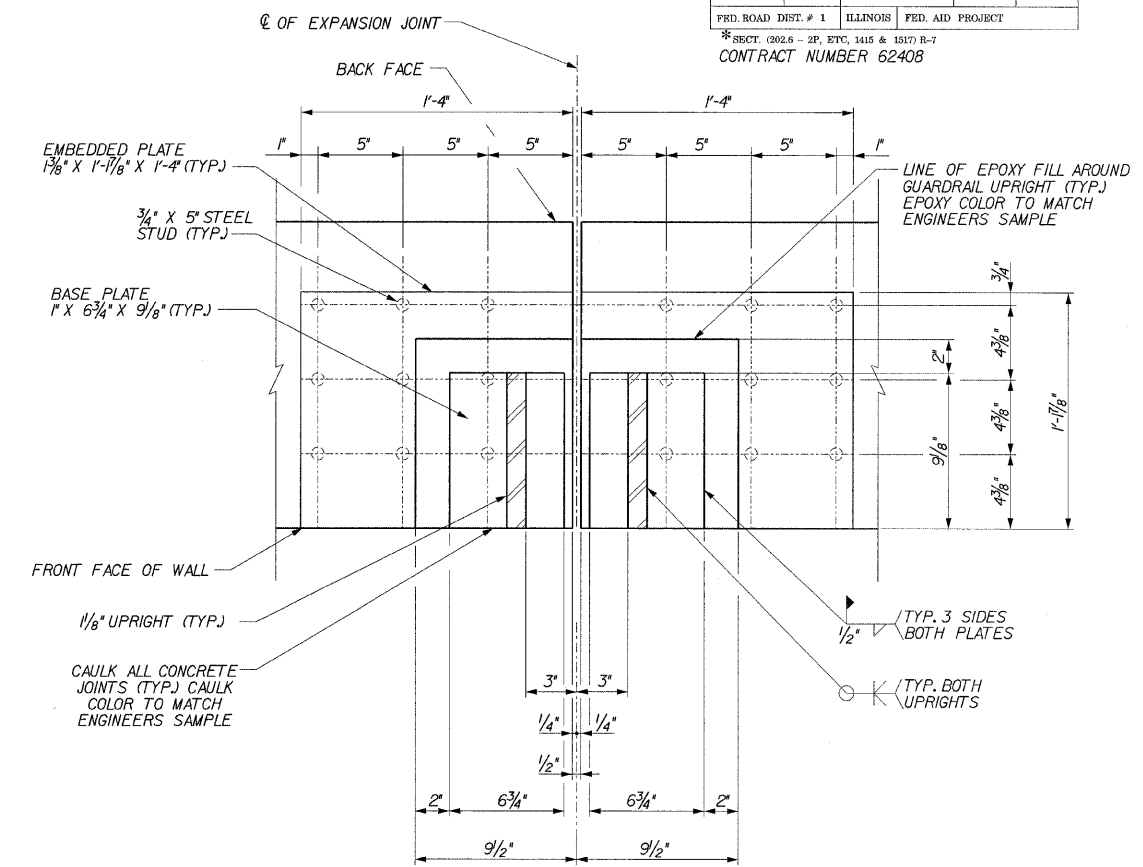
ELEVATION W/OUT DECORATIVE FASCIA
(SEE ELEVATION W/DECORATIVE FASCIA FOR DIMENSIONS)



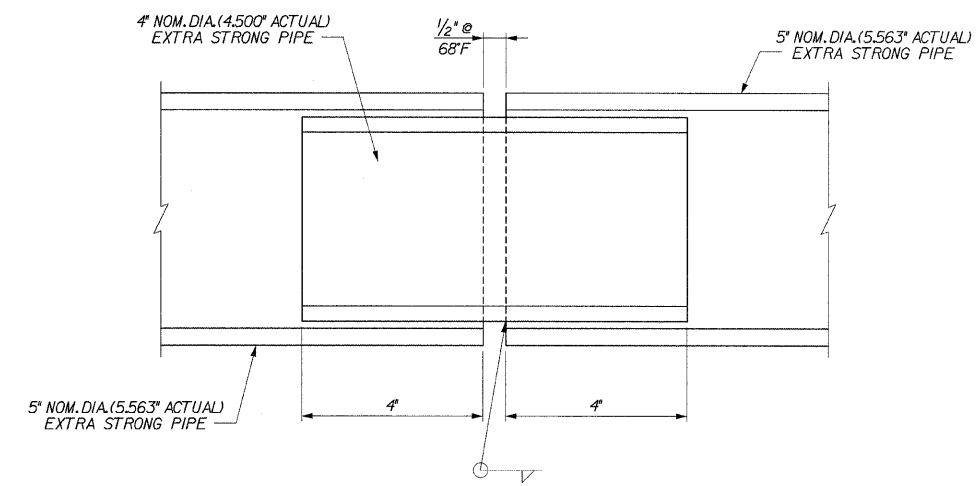
GUARDRAIL END CONDITION PLAN



ELEVATION W/DECORATIVE FASCIA



EMBEDDED PLATE, GUARDRAIL UPRIGHT AT EXPANSION JOINT
(AT TOP OF PLATE)



EXPANSION JOINT PIPE RAILING
(SHOWN ALONG Q OF PIPE)

s:\Dep't\Structures\3010099 190 94-retwall\ILL 190 194\RAMP\DCNTFILES\14-RailingDetails.dgn
04-Feb-2009 09:36

DESIGNED	DPW
CHECKED	ASP
DRAWN	MJS
CHECKED	MBJ



85 W. Algonquin Rd. Ste. 220
Arlington Heights IL 60005

REVISIONS	
NAME	DATE

RETAINING WALL RAMP H RAILING SYSTEM DETAIL
I-90/94 KENNEDY EXPRESSWAY
(HUBBARDS CAVE TO I-290)
SECT. (202.6 - 2P, ETC, 1415 & 1517) R-7
STATION 27+17, LT. 20.5' TO 24+70, LT. 22'
(RAMP F BASELINE)
COOK COUNTY
STRUCTURE NUMBER 016-W808