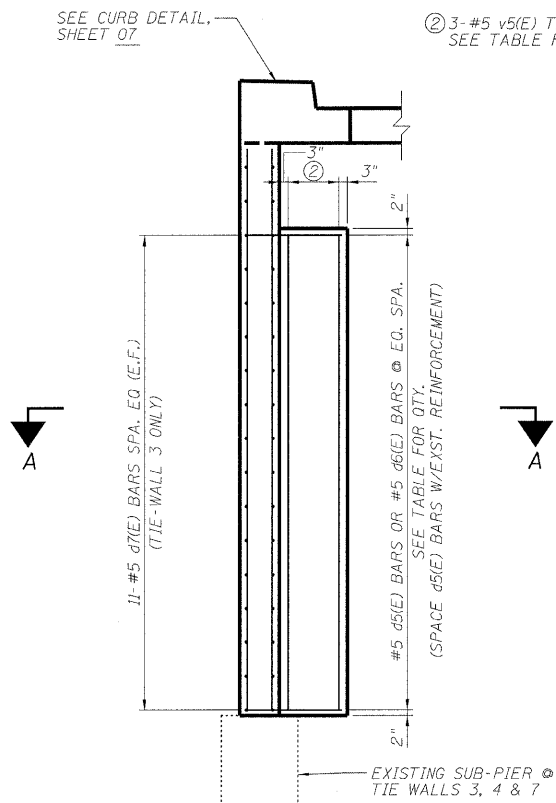


STATE OF ILLINOIS
DEPARTMENT OF TRANSPORTATION

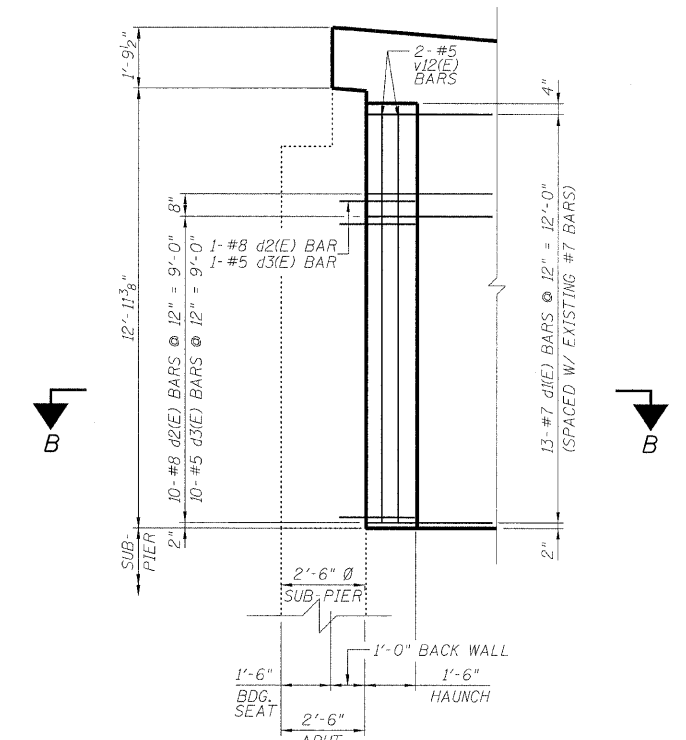
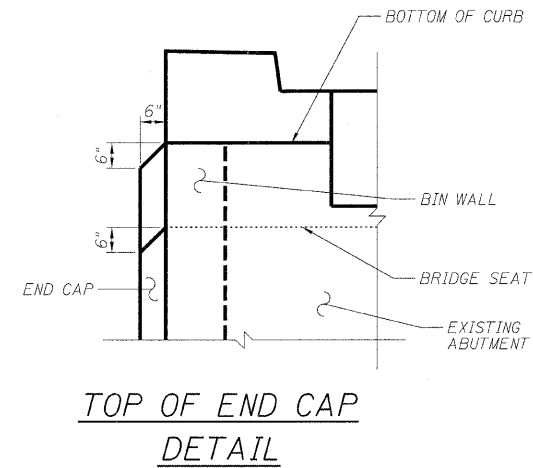
ROUTE NO.	SECTION	COUNTY	SHEET	SHEET NO.
F.A.P. 90/94	*	COOK	246	185
FED. ROAD DIST. NO. 7	ILLINOIS	FED. AID PROJECT		09 SHEETS

*SECT. (202.6-2P, ETC. 1415 & 1517)R-7
Contract # 62408

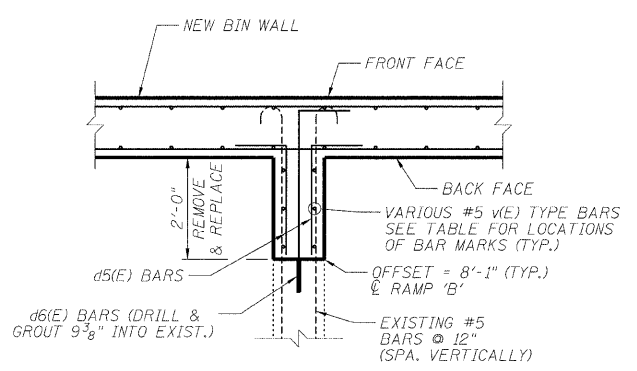


TIE WALL INTERFACE BARS

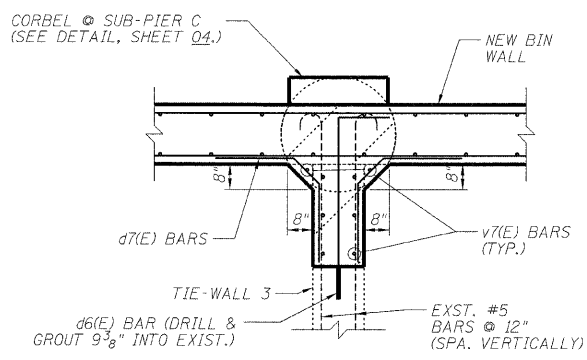
TIE WALL	d5(E) BARS (E.F.)	d6(E) BARS	VERT. BARS
1	12	11	v5(E)
2	12	11	v6(E)
3	0	11	v7(E)
4	11	11	v8(E)
5	10	11	v9(E)
6	9	11	v10(E)
7	9	11	v10(E)



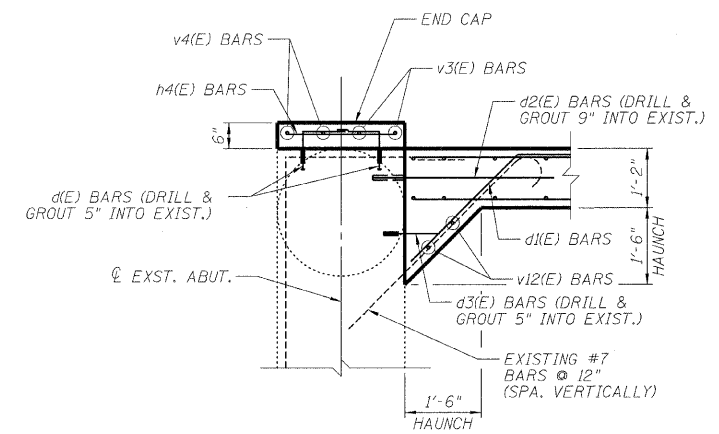
TYPICAL TIE-WALL
INTERFACE ELEVATION



SECTION A-A



TIE-WALL 3 DETAIL



SECTION B-B

DESIGNED	ASP
CHECKED	LMB
DRAWN	BEM
CHECKED	ASP

NOTE:
BARS d1(E), d2(E)-d4(E) & d6(E)
SHALL BE EMBEDDED AND
GROUTED INTO EXISTING
CONCRETE USING HIGH
STRENGTH EPOXY GROUT.

RAMPS 'B' & 'C' DETAILS
I-90/94 KENNEDY EXPRESSWAY
(HUBBARDS CAVE TO I-290)
SECTION (202.6-2P, ETC. 1415 & 1517)R-7
COOK COUNTY
STRUCTURE NO. 016-W985