

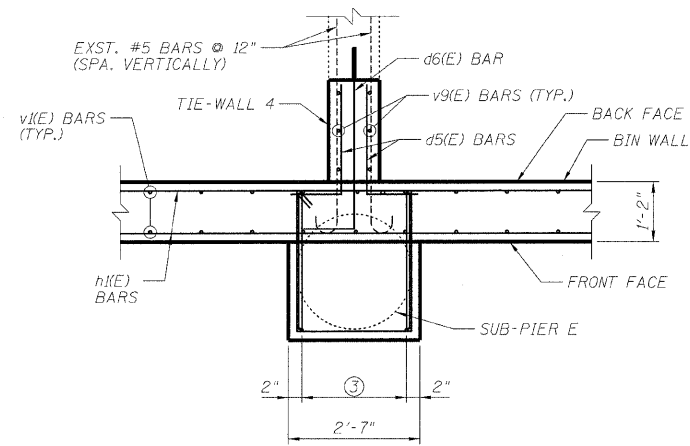
STATE OF ILLINOIS
DEPARTMENT OF TRANSPORTATION

ROUTE NO.	SECTION	COUNTY	TOTAL SHEETS	SHEET NO.
F.A.P. 90/94	*	COOK	246	186
FED. ROAD DIST. NO. 7		ILLINOIS	FED. AID PROJECT	

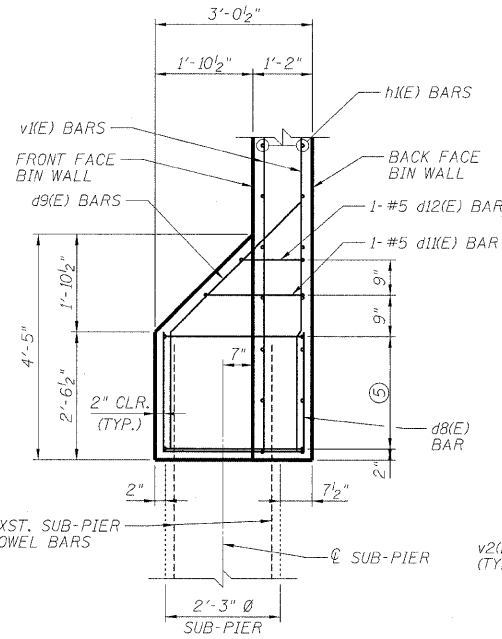
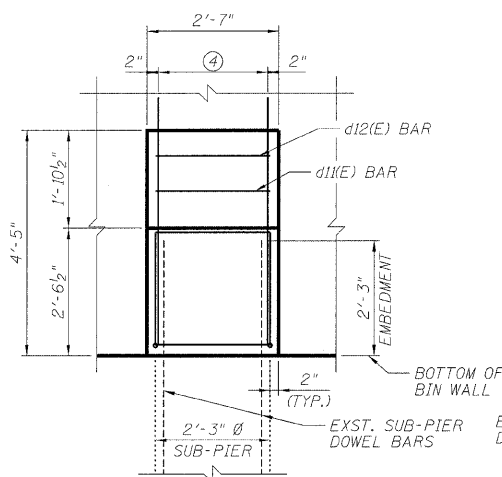
SHEET NO. 04

09 SHEETS

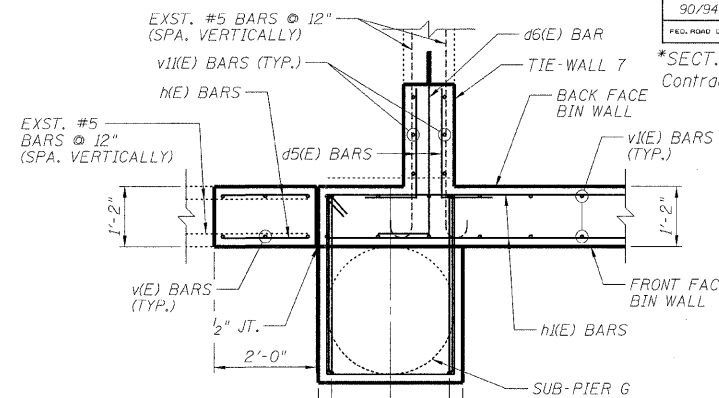
*SECT. (202.6-2P, ETC, 1415 & 1517)R-7
Contract # 62408



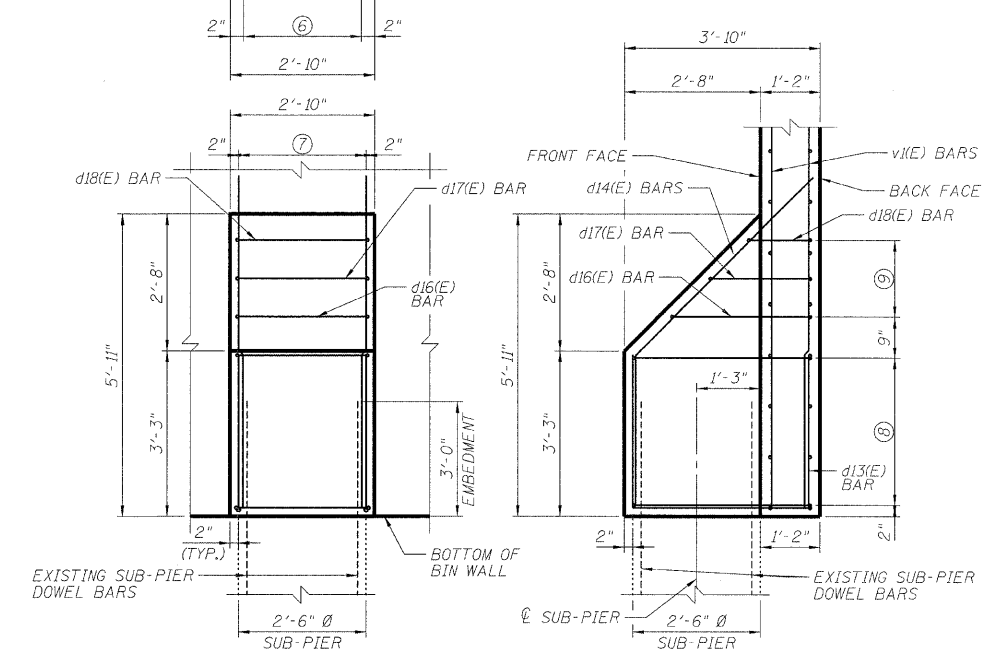
- ③ 5-#8 d8(E) BARS @ EQ. SPA. = 2'-3"
- ④ 5-#5 d9(E) BARS @ EQ. SPA. = 2'-3"
- ⑤ 4-#5 d10(E) BARS @ 9" = 2'-3"



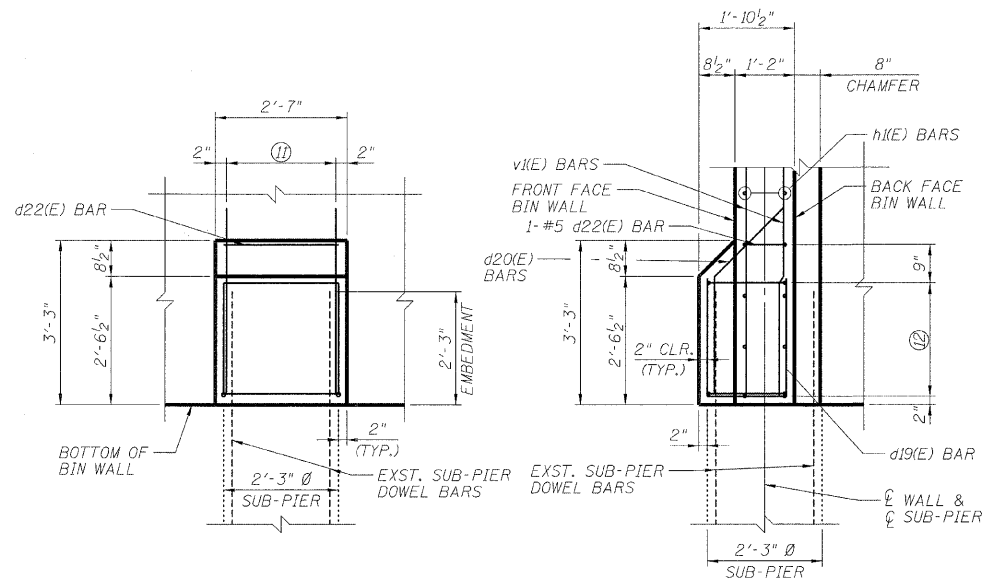
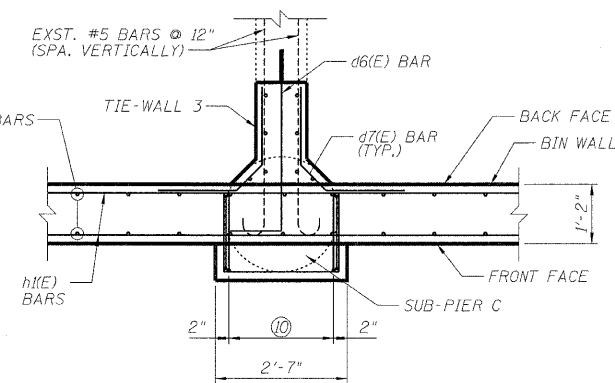
CORBEL @ SUB-PIER E



- ⑥ 6-#9 d13(E) BARS @ 6" = 2'-6"
- ⑦ 6-#5 d14(E) BARS @ 6" = 2'-6"
- ⑧ 5-#5 d15(E) BARS @ 9" = 3'-0"
- ⑨ 1-#5 d16(E) THRU d18(E) BARS @ 9" = 1'-6"



CORBEL @ SUB-PIER G



- ⑩ 5-#5 d19(E) BARS @ EQ. SPA. = 2'-3"
- ⑪ 5-#5 d20(E) BARS @ EQ. SPA. = 2'-3"
- ⑫ 4-#5 d21(E) BARS @ 9" = 2'-3"

CORBEL @ SUB-PIER C

DESIGNED	ASP
CHECKED	LMB
DRAWN	BEM
CHECKED	ASP

RAMP 'B' & 'C' CORBEL DETAILS
I-90/94 KENNEDY EXPRESSWAY
(HUBBARDS CAVE TO I-290)
SECTION (202.6-2P, ETC, 1415 & 1517)R-7

COOK COUNTY
STRUCTURE NO. 016-W985

DLZ 85 W. Algonquin Rd. Ste. 220
Arlington Heights IL 60005
DLZ Illinois, Inc.