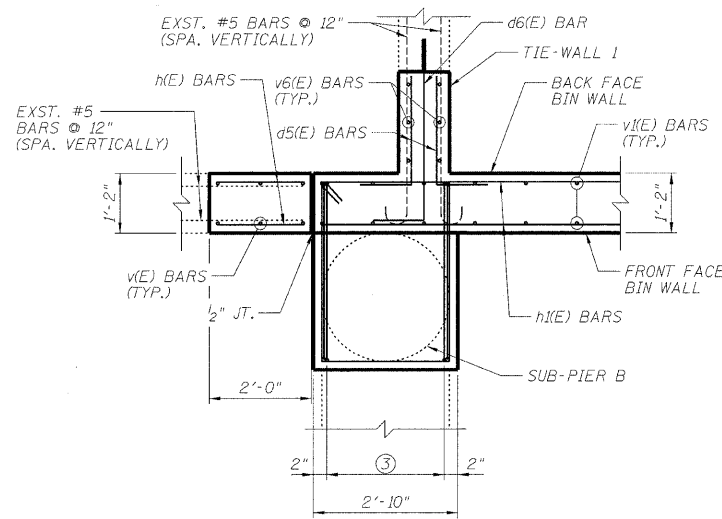


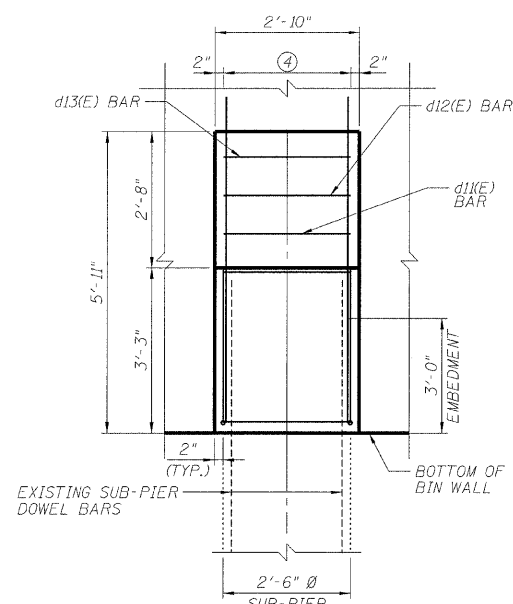
STATE OF ILLINOIS
DEPARTMENT OF TRANSPORTATION

ROUTE NO. F.A.P. 90/94	SECTION *	COUNTY COOK	TOTAL SHEETS 246	SHEET NO. 195	SHEET NO. 04
FED. ROAD DIST. NO. 1		ILLINOIS		FED. AID PROJECT-	

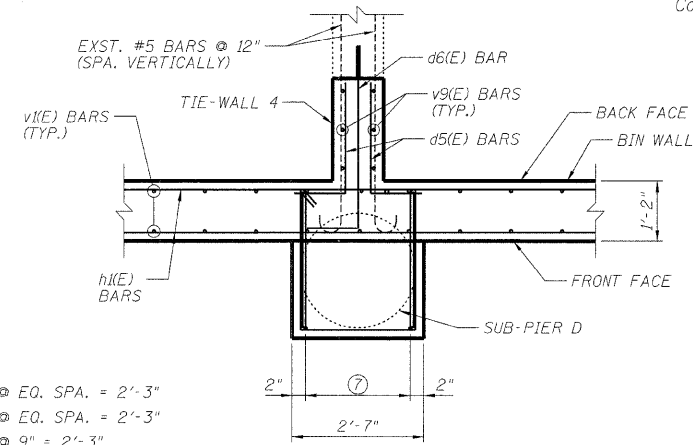
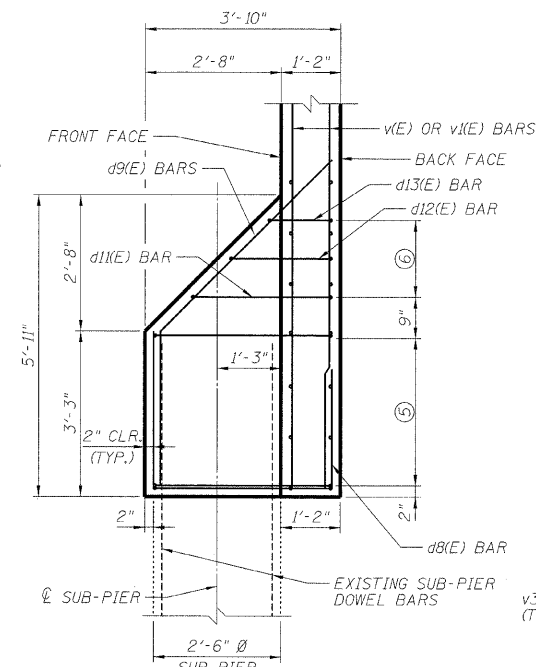
*SECT. (202.6-2P, ETC, 1415 & 1517)R-7
Contract # 62408



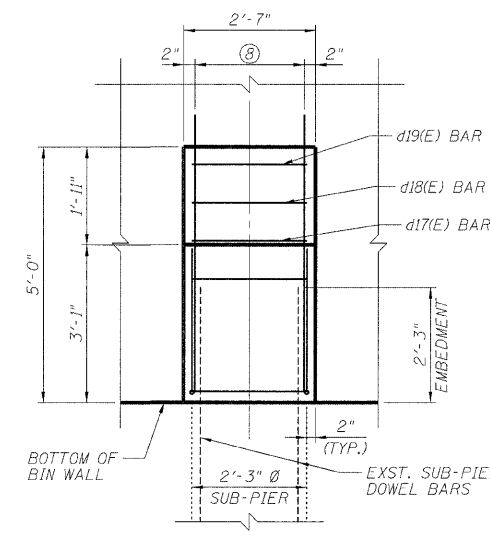
- ③ 6-#9 d8(E) BARS @ 6" = 2'-6"
- ④ 6-#5 d9(E) BARS @ 6" = 2'-6"
- ⑤ 5-#5 d10(E) BARS @ 9" = 3'-0"
- ⑥ 1-#5 d11(E) THRU d13(E) BARS @ 9" = 1'-6"



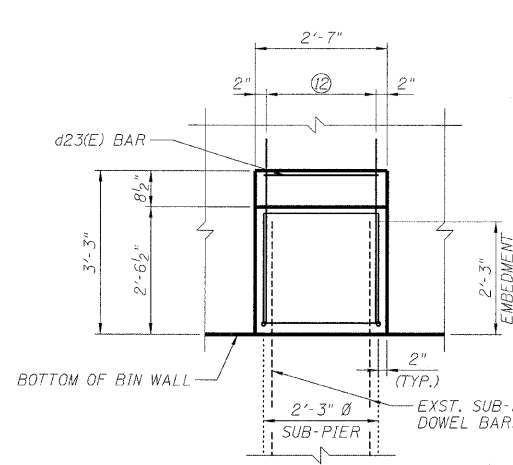
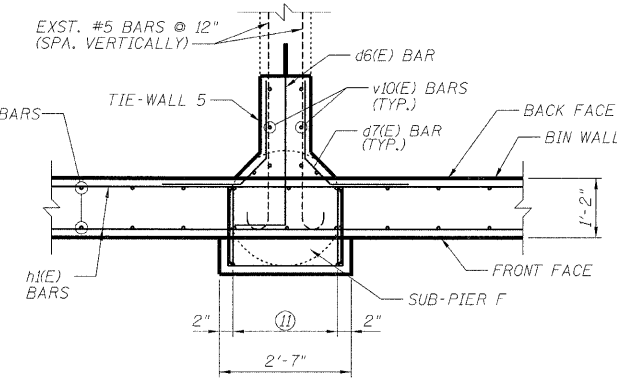
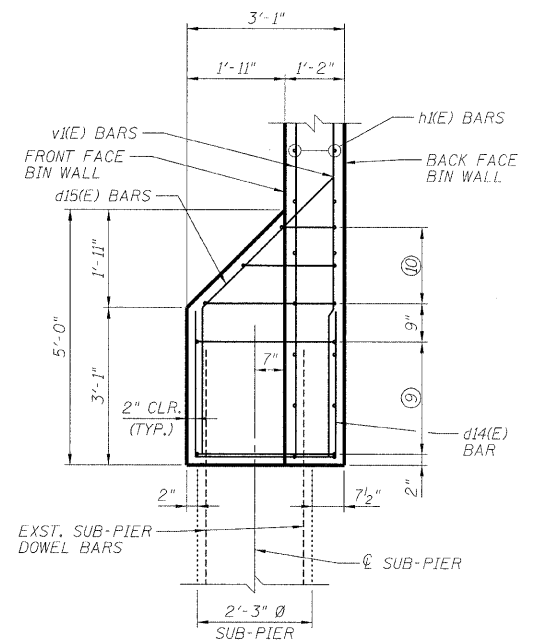
CORBEL @ SUB-PIER B



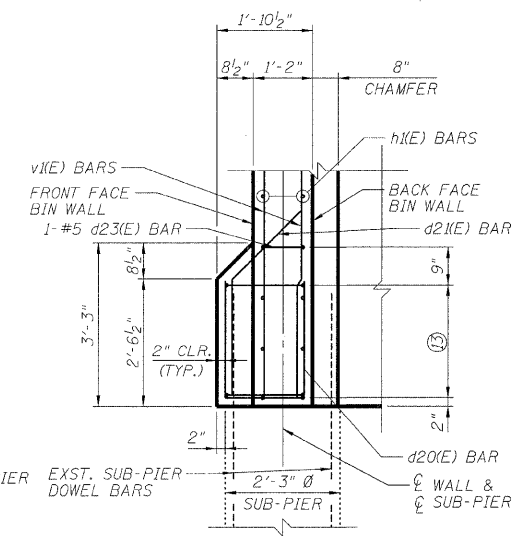
- ⑦ 5-#9 d14(E) BARS @ EQ. SPA. = 2'-3"
- ⑧ 5-#5 d15(E) BARS @ EQ. SPA. = 2'-3"
- ⑨ 4-#5 d16(E) BARS @ 9" = 2'-3"
- ⑩ 1-#5 d17(E) THRU d19(E) BARS @ 9" = 1'-6"



CORBEL @ SUB-PIER D



CORBEL @ SUB-PIER F



- ⑪ 5-#5 d20(E) BARS @ EQ. SPA. = 2'-3"
- ⑫ 5-#5 d21(E) BARS @ EQ. SPA. = 2'-3"
- ⑬ 4-#5 d22(E) BARS @ 9" = 2'-3"

RAMPS 'D' & 'E' CORBEL DETAILS
I-90/94 KENNEDY EXPRESSWAY
(HUBBARDS CAVE TO I-290)
SECTION (202.6-2P, ETC, 1415 & 1517)R-7
COOK COUNTY
STRUCTURE NO. 016-W986

DESIGNED	ASP
CHECKED	LNB
DRAWN	BEM
CHECKED	ASP