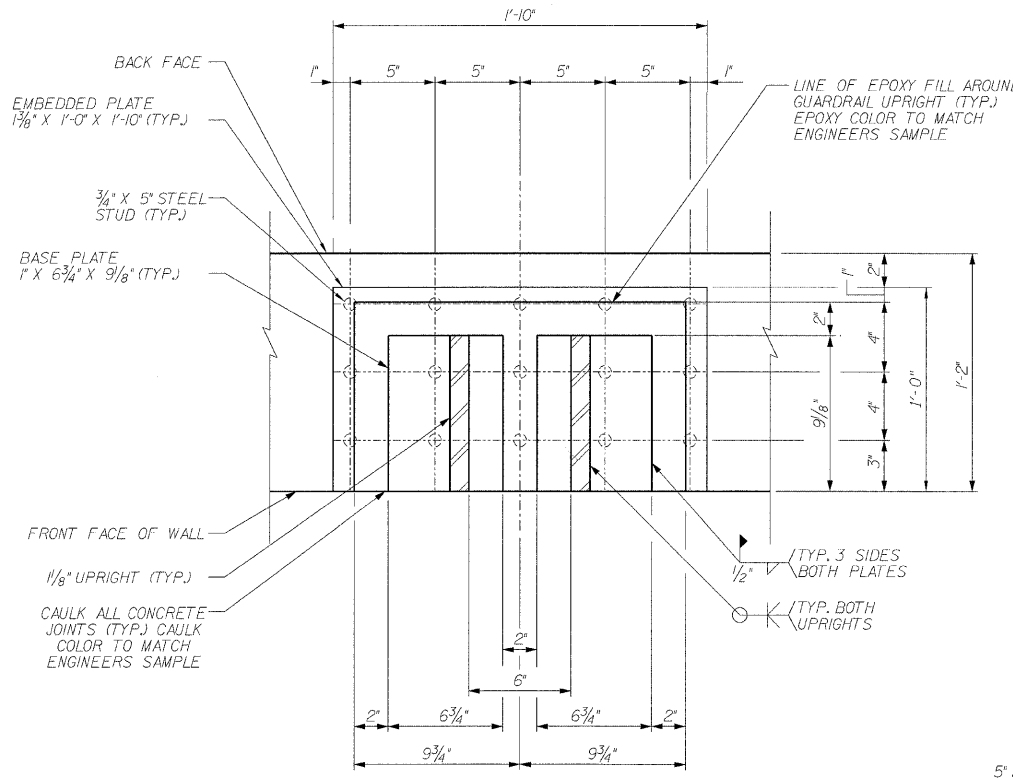


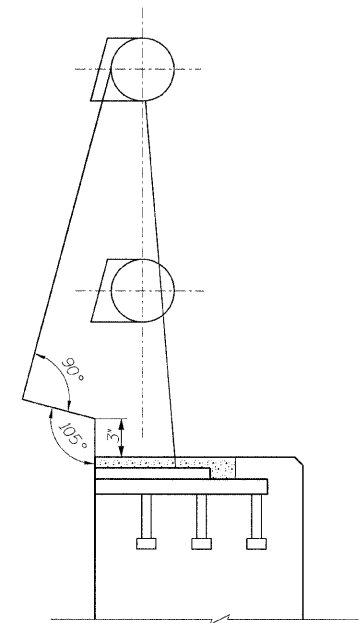
STATE OF ILLINOIS  
DEPARTMENT OF TRANSPORTATION

ROUTE NO.	SECTION	COUNTY	TOTAL SHEETS	SHEET NO.	SHEET NO. 06 07 SHEETS
F.A.P. 90/94	*	COOK	246	197	
FED. ROAD DIST. NO. 1		ILLINOIS	FED. AID PROJECT		

\*SECT. (202.6-2P, ETC. 1415 & 1517)R-7  
Contract # 62408

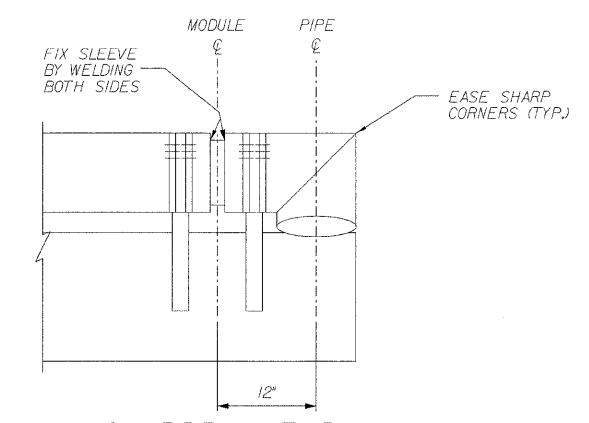


**EMBEDDED PLATE, GUARDRAIL UPRIGHT**  
(AT TOP OF PLATE)

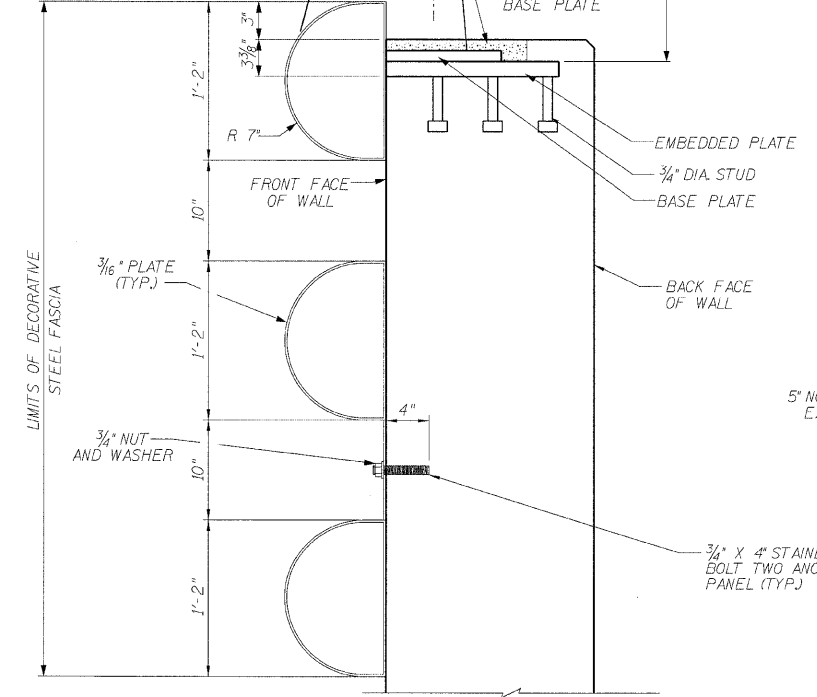
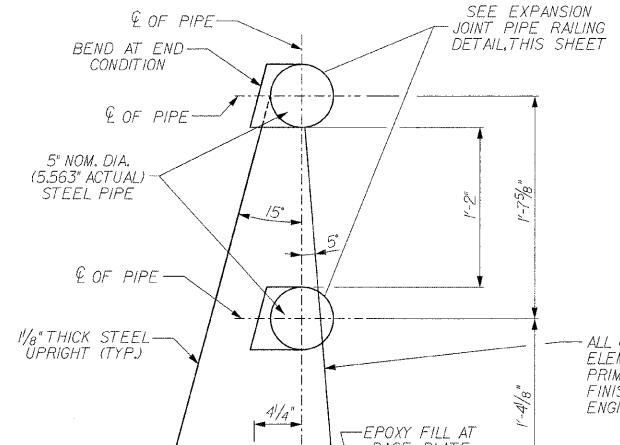


**ELEVATION W/OUT DECORATIVE FASCIA**  
(SEE ELEVATION W/DECORATIVE FASCIA FOR DIMENSIONS)

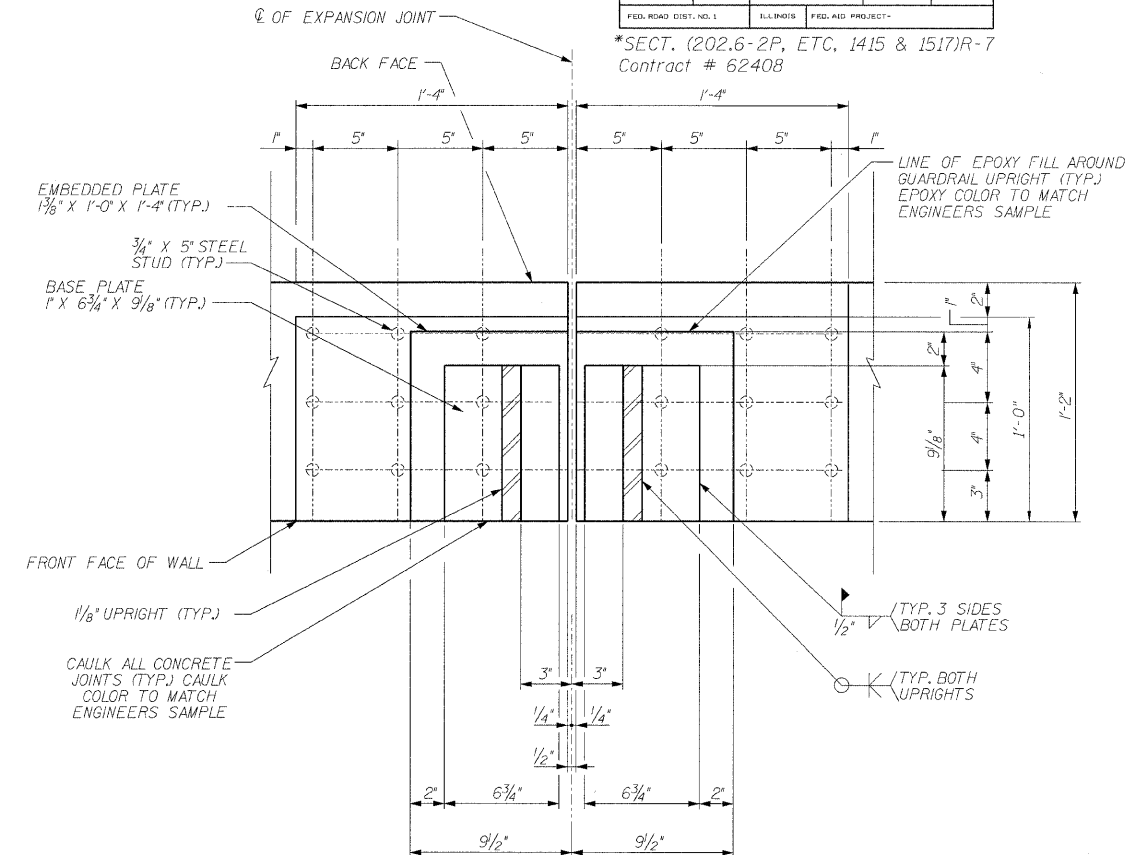
DESIGNED	ASP
CHECKED	LNB
DRAWN	BEM
CHECKED	ASP



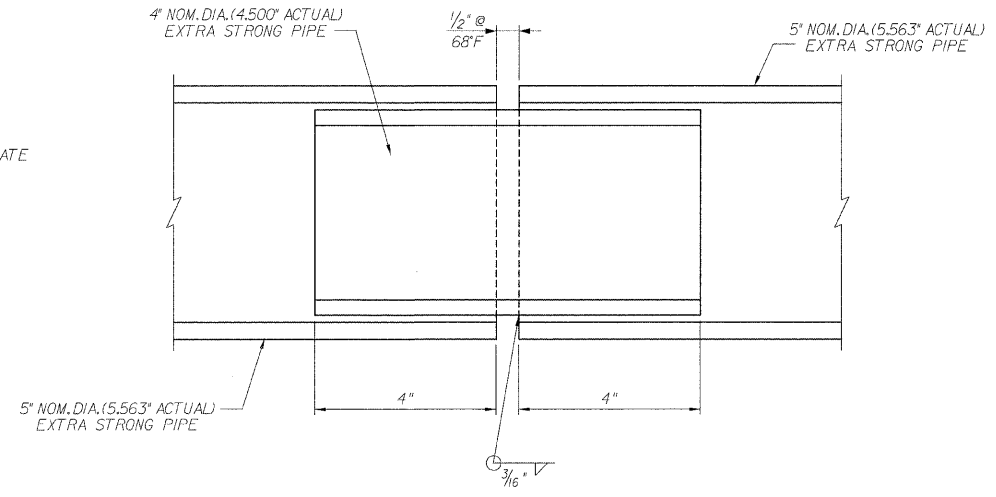
**GUARDRAIL END CONDITION PLAN**



**ELEVATION W/DECORATIVE FASCIA**



**EMBEDDED PLATE, GUARDRAIL UPRIGHT AT EXPANSION JOINT**  
(AT TOP OF PLATE)



**EXPANSION JOINT PIPE RAILING**  
(SHOWN ALONG Q OF PIPE)

**RAMPS 'D' & 'E' RAILING SYSTEM DETAILS**  
**I-90/94 KENNEDY EXPRESSWAY**  
**(HUBBARDS CAVE TO I-290)**  
**SECTION (202.6-2P, ETC. 1415 & 1517)R-7**  
**COOK COUNTY**  
**STRUCTURE NO. 016-W986**