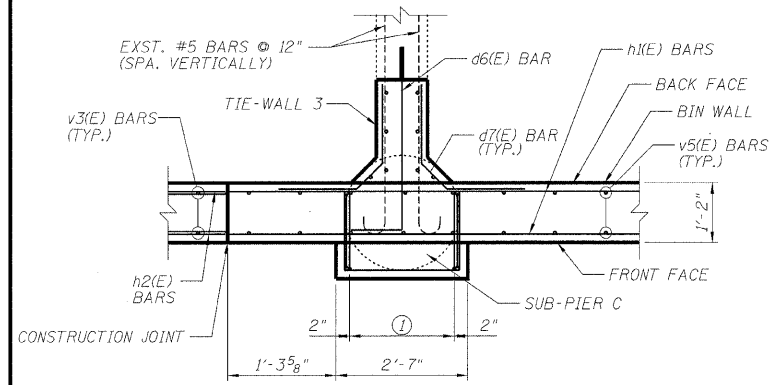
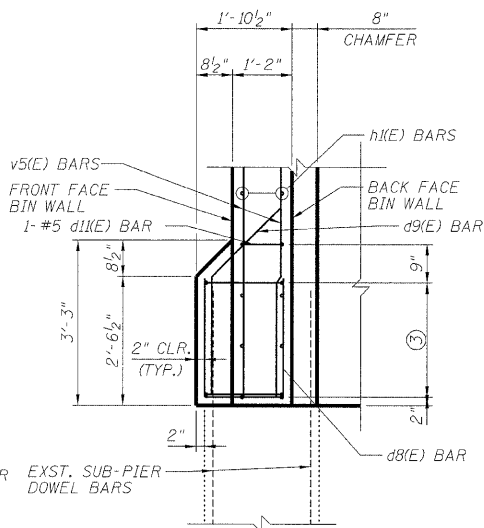
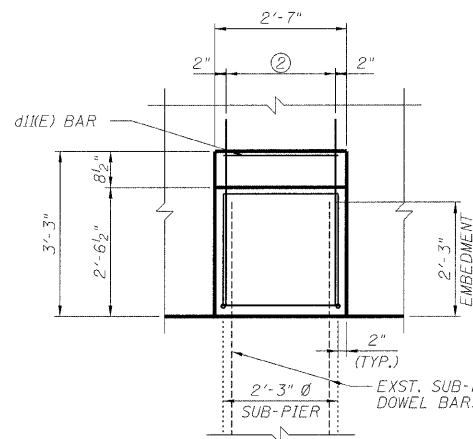


STATE OF ILLINOIS  
DEPARTMENT OF TRANSPORTATION

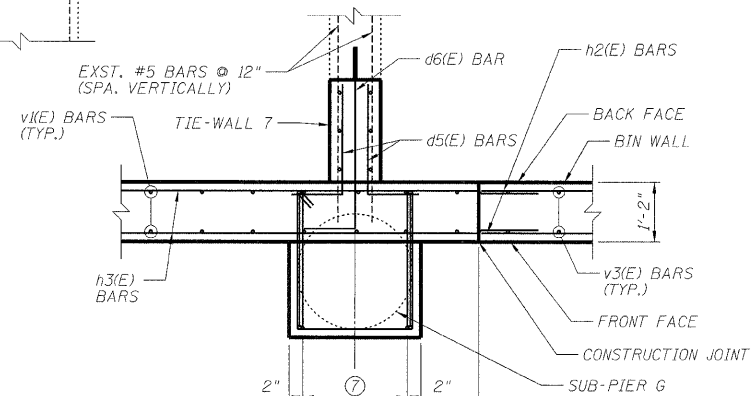
ROUTE NO.	SECTION	COUNTY	DATE SHEETS	SHEET NO.	SHEET NO. 04 07 SHEETS
F.A.P. 90/94	*	COOK	246 202		
FED. ROAD DIST. NO. 1	ILLINOIS	FED. AID PROJECT-			
*SECT. (202.6-2P, ETC, 1415 & 1517)R-7 Contract # 62408					



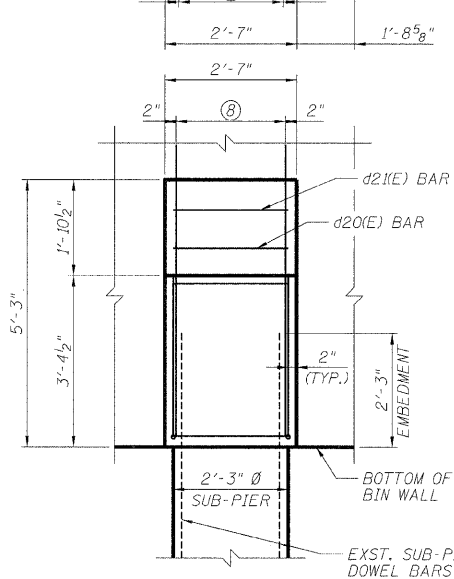
- ① 5-#5 d8(E) BARS @ EQ. SPA. = 2'-3"
- ② 5-#5 d9(E) BARS @ EQ. SPA. = 2'-3"
- ③ 4-#5 d10(E) BARS @ 9" = 2'-3"



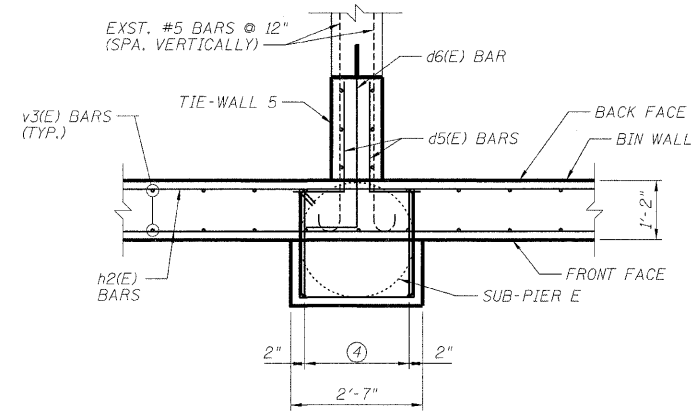
CORBEL @ SUB-PIER C



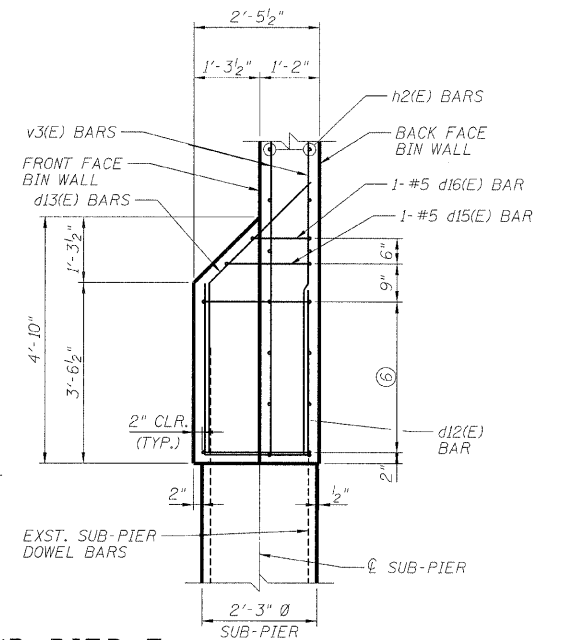
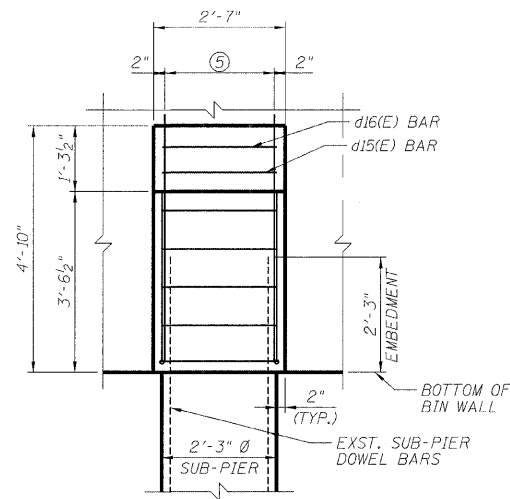
- ⑦ 5-#9 d17(E) BARS @ EQ. SPA. = 2'-3"
- ⑧ 5-#5 d18(E) BARS @ EQ. SPA. = 2'-3"
- ⑨ 5-#5 d19(E) BARS @ 9" = 3'-0"



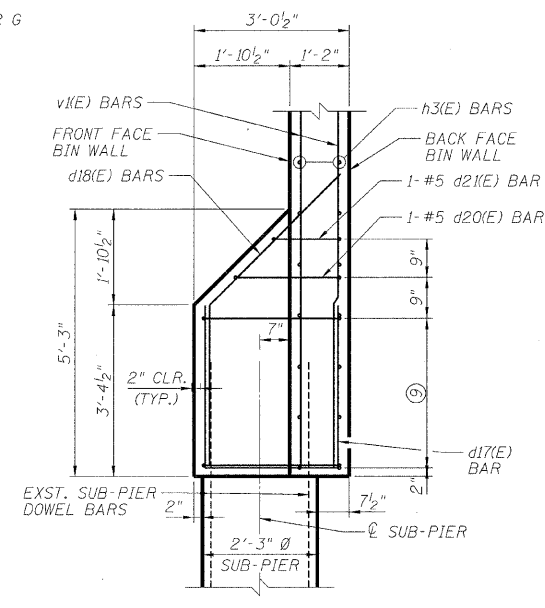
CORBEL @ SUB-PIER G



- ④ 5-#8 d12(E) BARS @ EQ. SPA. = 2'-3"
- ⑤ 5-#5 d13(E) BARS @ EQ. SPA. = 2'-3"
- ⑥ 5-#5 d14(E) BARS @ 9" = 3'-0"



CORBEL @ SUB-PIER E



DESIGNED	ASP
CHECKED	LNB
DRAWN	BEM
CHECKED	ASP

**RAMPS 'L' & 'M' CORBEL DETAILS**  
**I-90/94 KENNEDY EXPRESSWAY**  
**(HUBBARDS CAVE TO I-290)**  
**SECTION (202.6-2P, ETC, 1415 & 1517)R-7**  
**COOK COUNTY**  
**STRUCTURE NO. 016-W987**