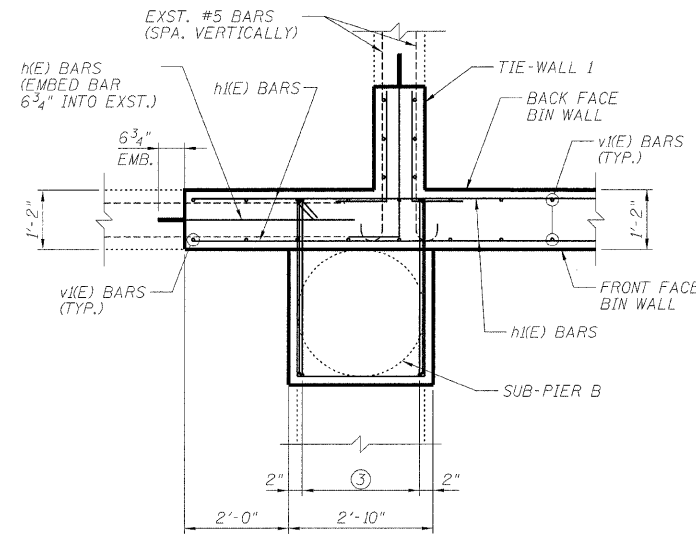


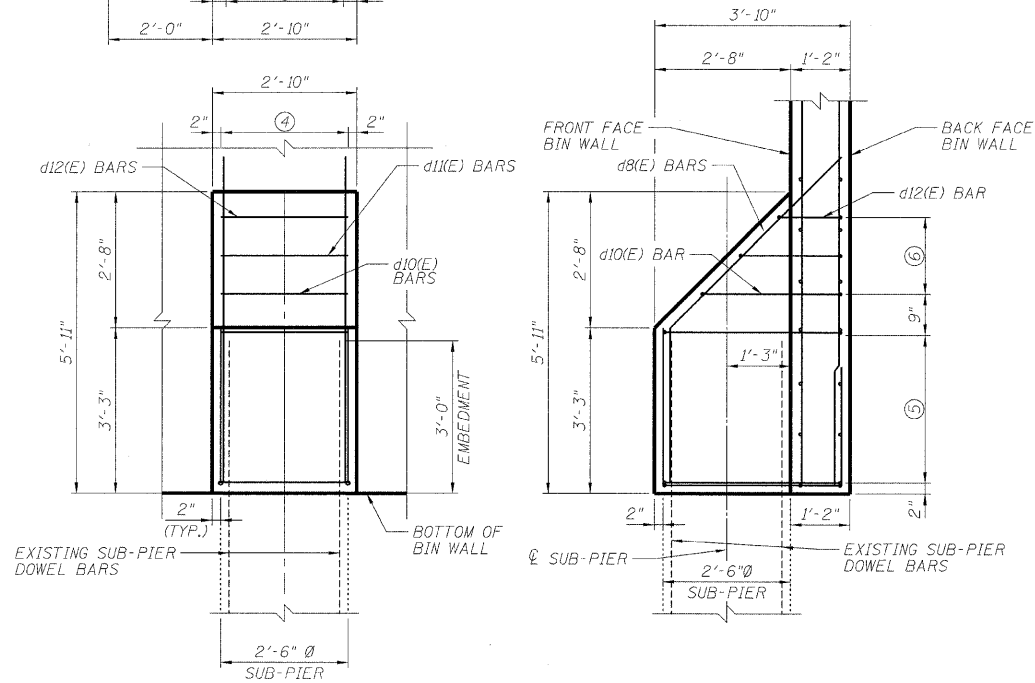
STATE OF ILLINOIS
DEPARTMENT OF TRANSPORTATION

ROUTE NO. F.A.P. 90/94	SECTION *	COUNTY COOK	TITLE SHEETS 246	SHEET NO. 209	SHEET NO. 04 08 SHEETS
FED. ROAD DIST. NO. 1		ILLINOIS	FED. AID PROJECT		

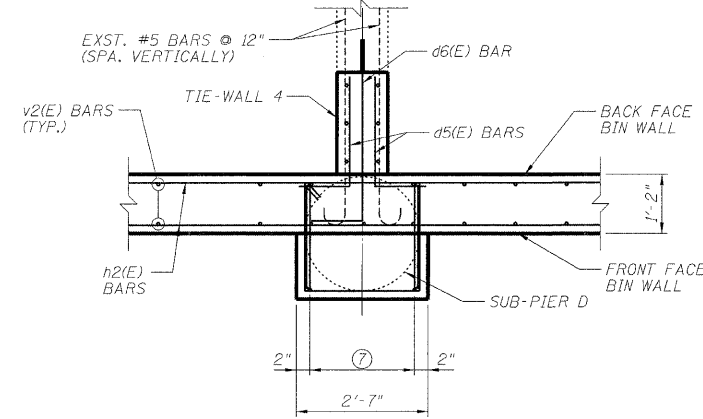
*SECT. (202.6-2P, ETC, 1415 & 1517)R-7
Contract # 62408



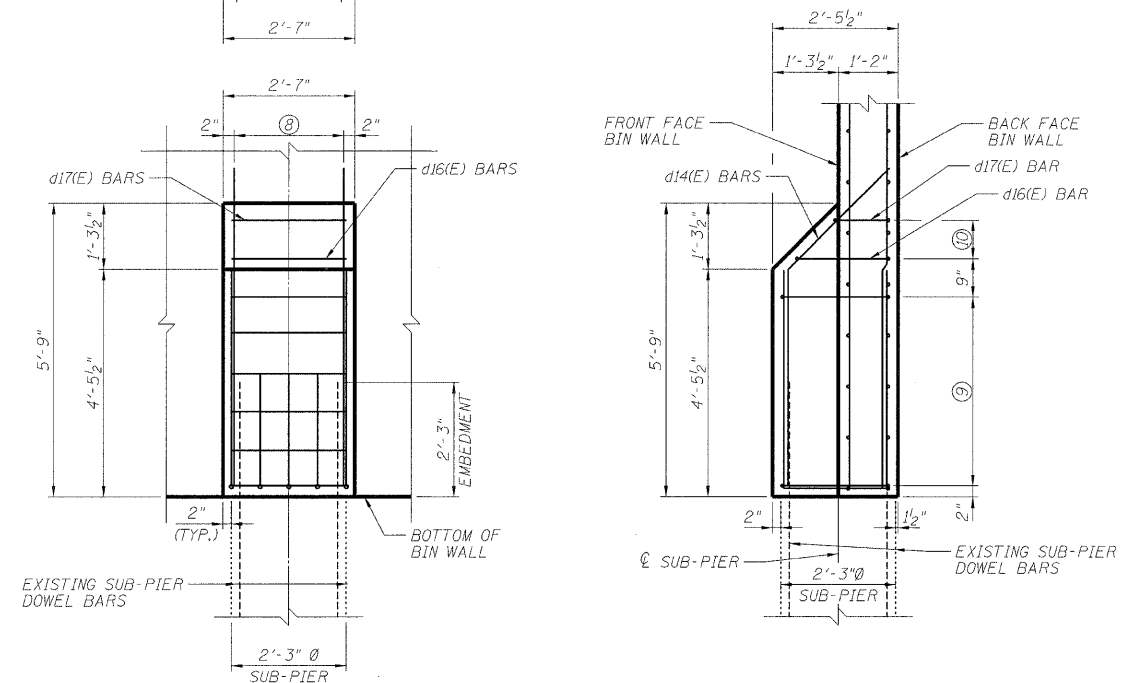
- ③ 6-#9 d7(E) BARS @ 6" = 2'-6"
- ④ 6-#5 d8(E) BARS @ 6" = 2'-6"
- ⑤ 5-#5 d9(E) BARS @ 9" = 3'-0"
- ⑥ 1-#5 d10(E) THRU d12(E) BARS @ 9" = 1'-6"



CORBEL @ SUB-PIER B



- ⑦ 5-#9 d13(E) BARS @ EQ. SPA. = 2'-3"
- ⑧ 5-#5 d14(E) BARS @ EQ. SPA. = 2'-3"
- ⑨ 6-#5 d15(E) BARS @ 9" = 3'-9"
- ⑩ 1-#5 d16(E) THRU d17(E) BARS @ 9" = 1'-6"



CORBEL @ SUB-PIER D

NOTE:
BAR h(E) SHALL BE EMBEDDED AND GROUTED
INTO EXISTING CONCRETE USING HIGH STRENGTH
EPOXY GROUT.

DESIGNED	ASP
CHECKED	LNB
DRAWN	BEM
CHECKED	ASP

RAMPS 'N' & 'O' CORBEL DETAILS
I-90/94 KENNEDY EXPRESSWAY
(HUBBARDS CAVE TO I-290)
SECTION (202.6-2P, ETC, 1415 & 1517)R-7
COOK COUNTY
STRUCTURE NO. 016-W988