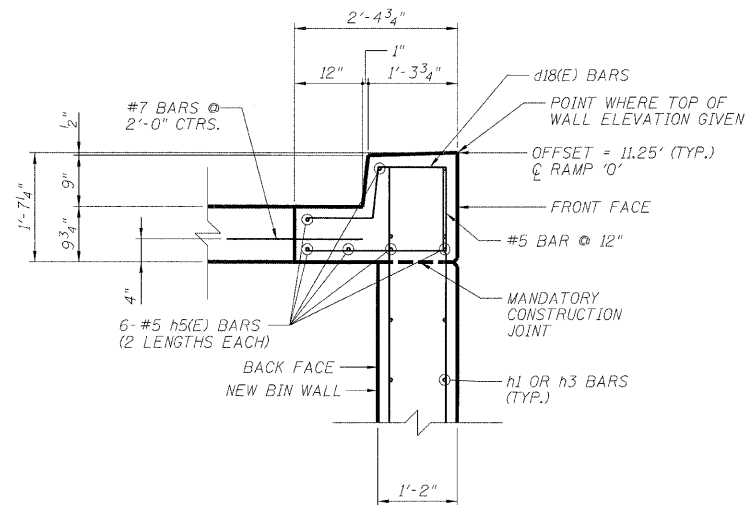
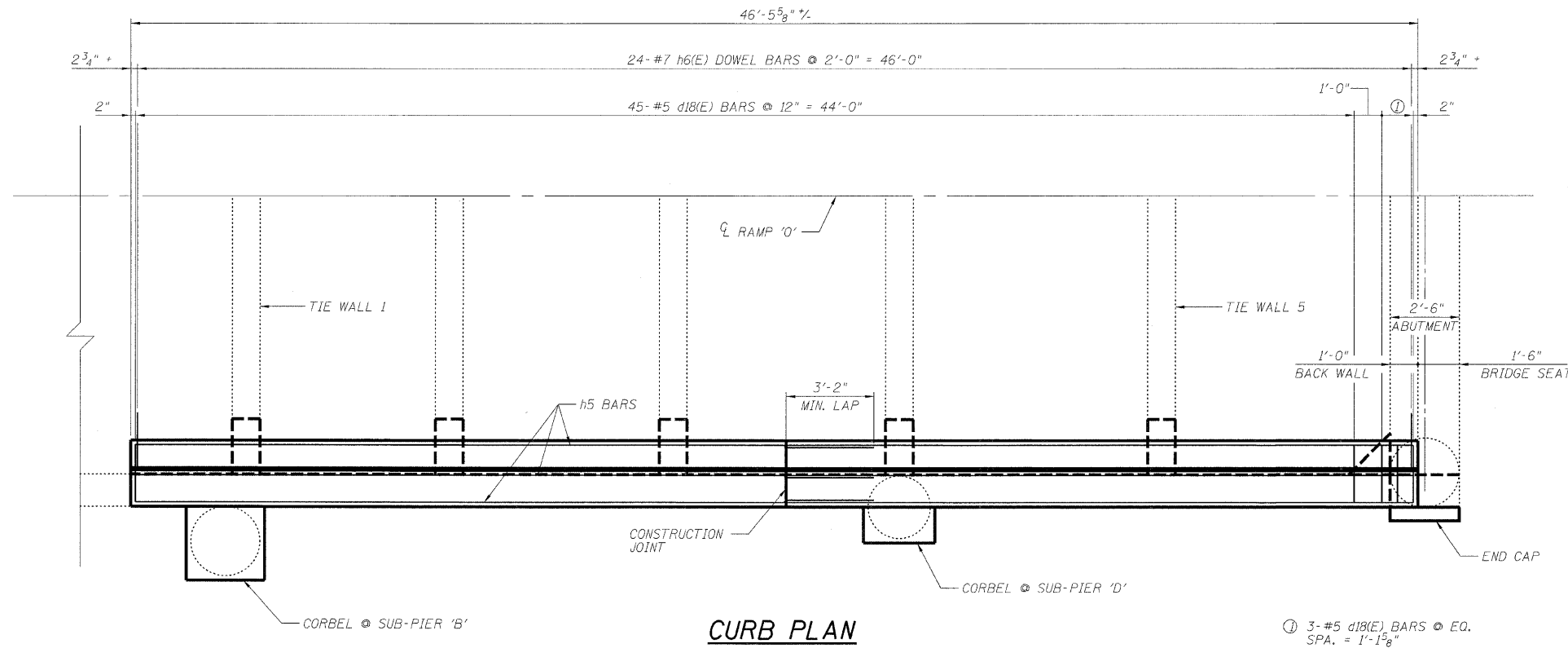


STATE OF ILLINOIS
DEPARTMENT OF TRANSPORTATION

ROUTE NO.	SECTION	COUNTY	DISTRICT	SHEET NO.	SHEET NO. 05 08 SHEETS
F.A.P. 90/94	#	COOK	246	210	
FED. ROAD DIST. NO. 1	ILLINOIS	FED. AID PROJECT			

*SECT. (202.6-2P, ETC, 1415 & 1517)R-7
Contract # 62408



RAMPS 'N' & 'O' CURB DETAILS
I-90/94 KENNEDY EXPRESSWAY
(HUBBARDS CAVE TO I-290)
SECTION (202.6-2P, ETC, 1415 & 1517)R-7
COOK COUNTY
STRUCTURE NO. 016-W988

DESIGNED	ASP
CHECKED	LNB
DRAWN	BGC
CHECKED	ASP