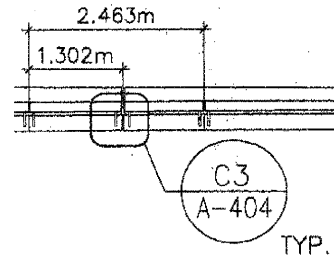
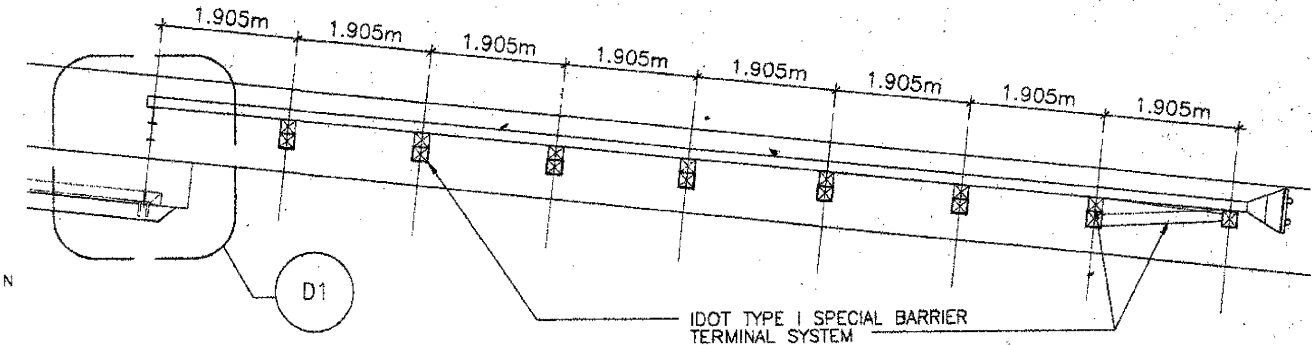


STATE OF ILLINOIS
DEPARTMENT OF TRANSPORTATION

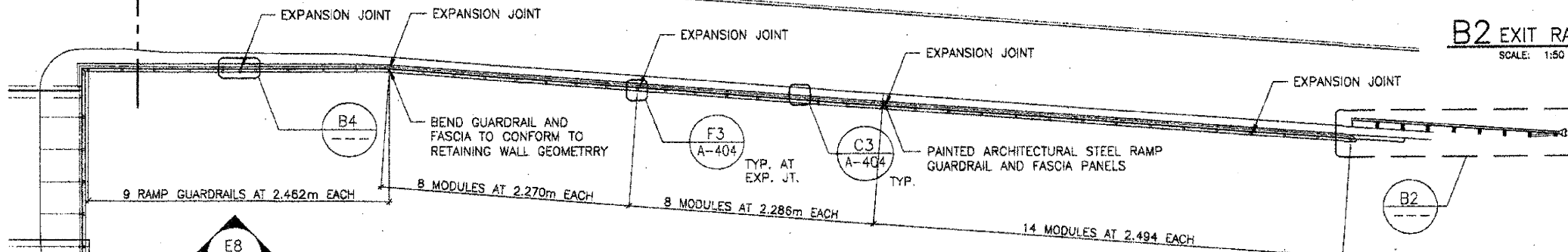
ROUTE NO.	SECTION	COUNTY	TOTAL SHEETS	SHEET NO.	SHEET NO. A-102
90/94	0101-2-1B-R-1	COOK	246	214	
FED. ROAD DIST.		ILLINOIS	FED. AID PROJECT		SHEETS



B4 SPECIAL MODULE AT EXPANSION JOINT - PLAN
SCALE: 1:50

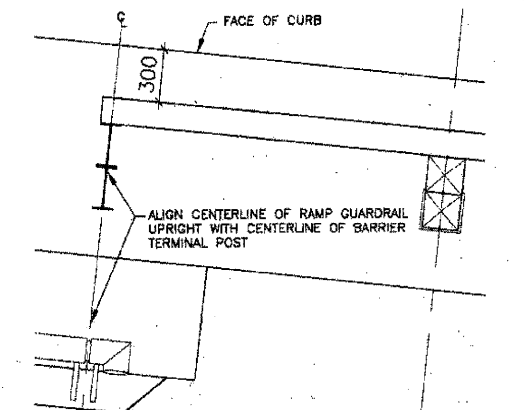


B2 EXIT RAMP END CONDITION - PLAN
SCALE: 1:50

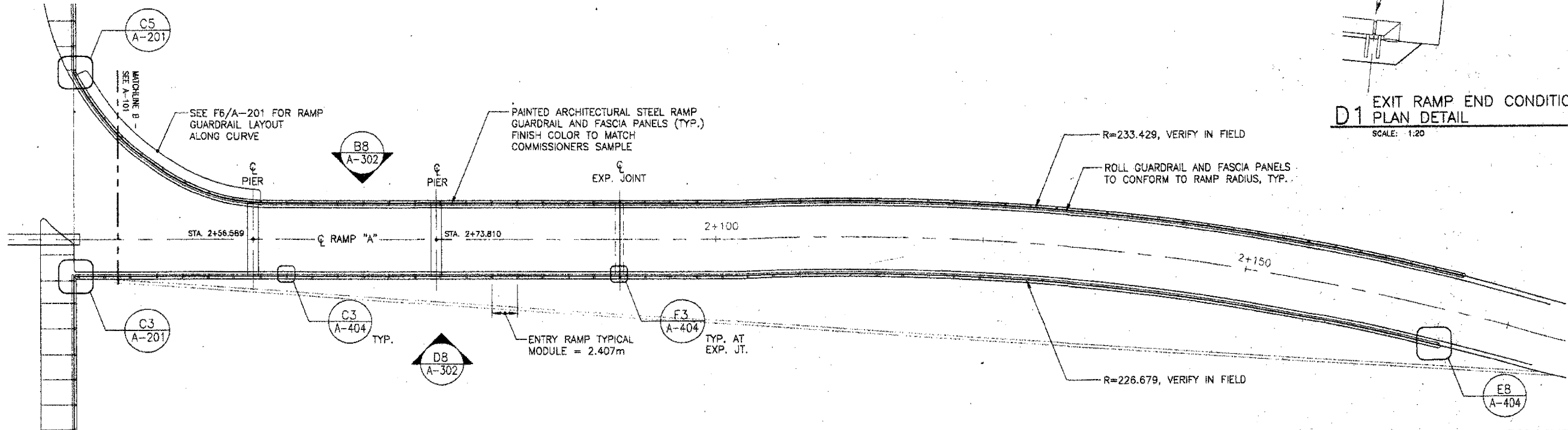


C6 BRIDGE EXIT RAMP - PLAN
SCALE: 1:100

NOTE: JACKSON EXIT RAMP RETAINING WALL TO BE CONSTRUCTED UNDER FAI 90/94 ROADWAY PLANS - STAGE 1
VERIFY ALL DIMENSIONS IN FIELD PRIOR TO GUARDRAIL FABRICATION



D1 EXIT RAMP END CONDITION - PLAN DETAIL
SCALE: 1:20



F6 BRIDGE ENTRY RAMP - PLAN
SCALE: 1:100

ALL DIMENSIONS IN MILLIMETERS U.N.O.

BRIDGE ENTRY AND EXIT RAMP PLANS

JACKSON BOULEVARD
OVER 1-90/94, F.A. RTE. 90/94
SEC. 0101-2-1B-R-1
COOK COUNTY
STA. 1+350.230
STR. NUM. 016-0588

Scale: AS NOTED

