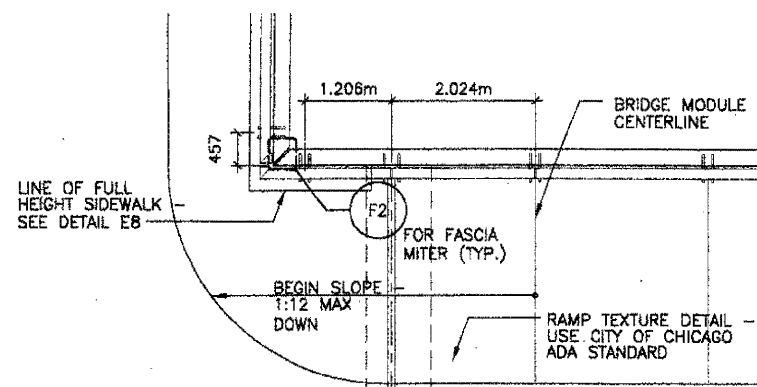
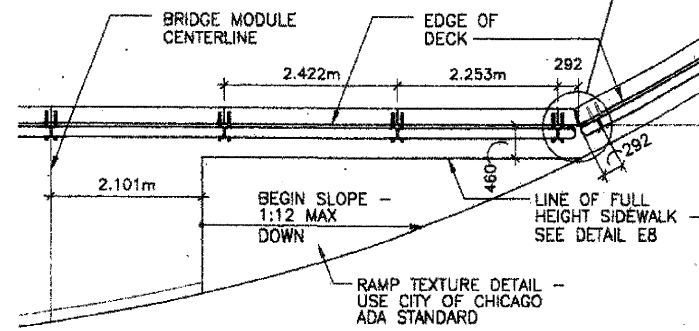


STATE OF ILLINOIS
DEPARTMENT OF TRANSPORTATION

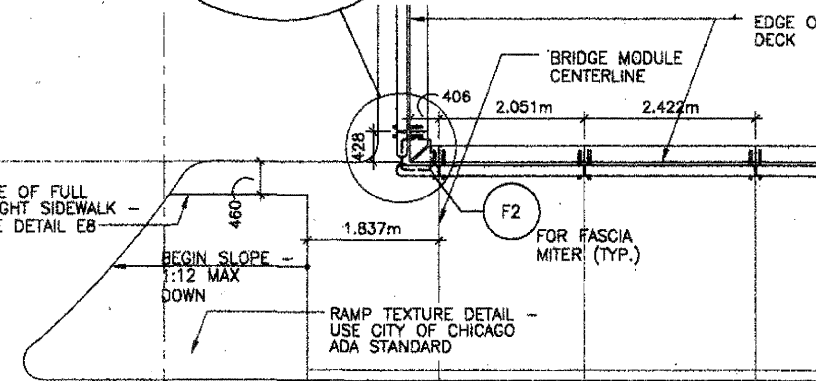
ROUTE NO.	SECTION	COUNTY	TOTAL SHEETS	SHEET NO.	SHEET NO. A-201
90/94	0101-2-18-R-1	COOK	246	215	SHEETS
FED. ROAD DIST.		ILLINOIS	FED. AID PROJECT		



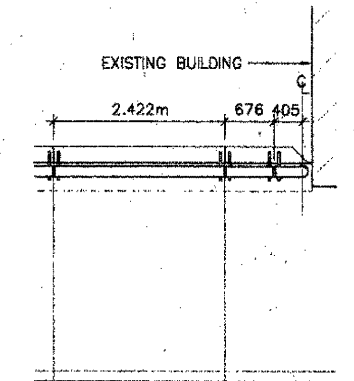
**C8 NORTHWEST CORNER
GUARDRAIL TERMINUS-PLAN**
SCALE: 1:50



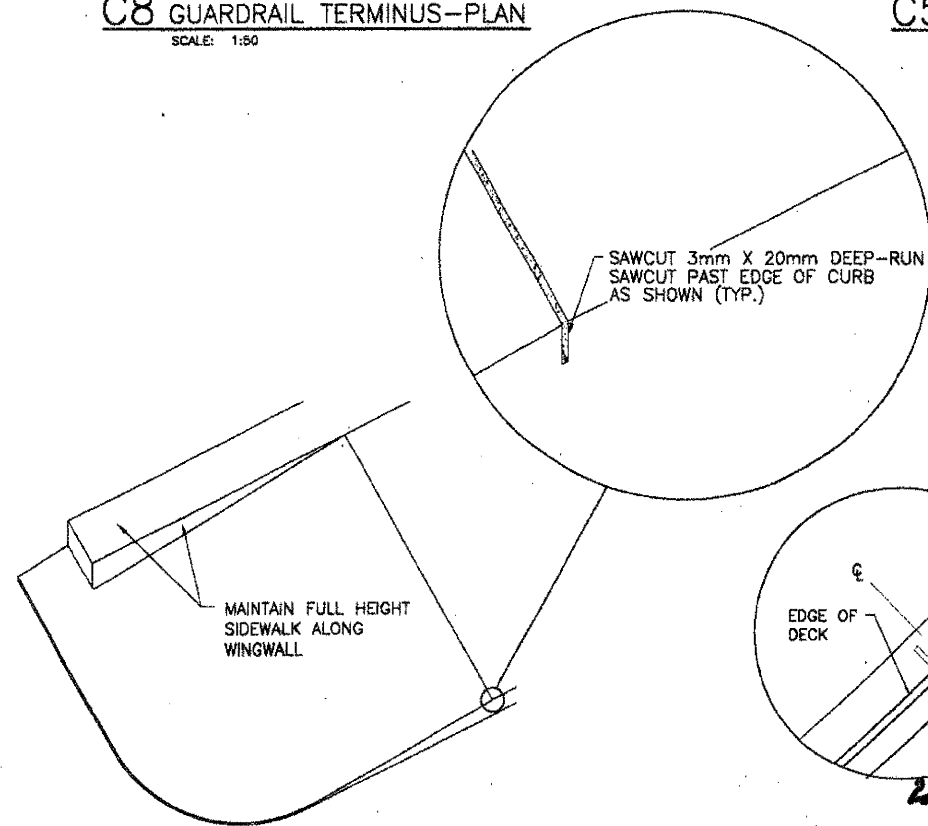
C5 ENTRY RAMP-PARTIAL PLAN
SCALE: 1:50



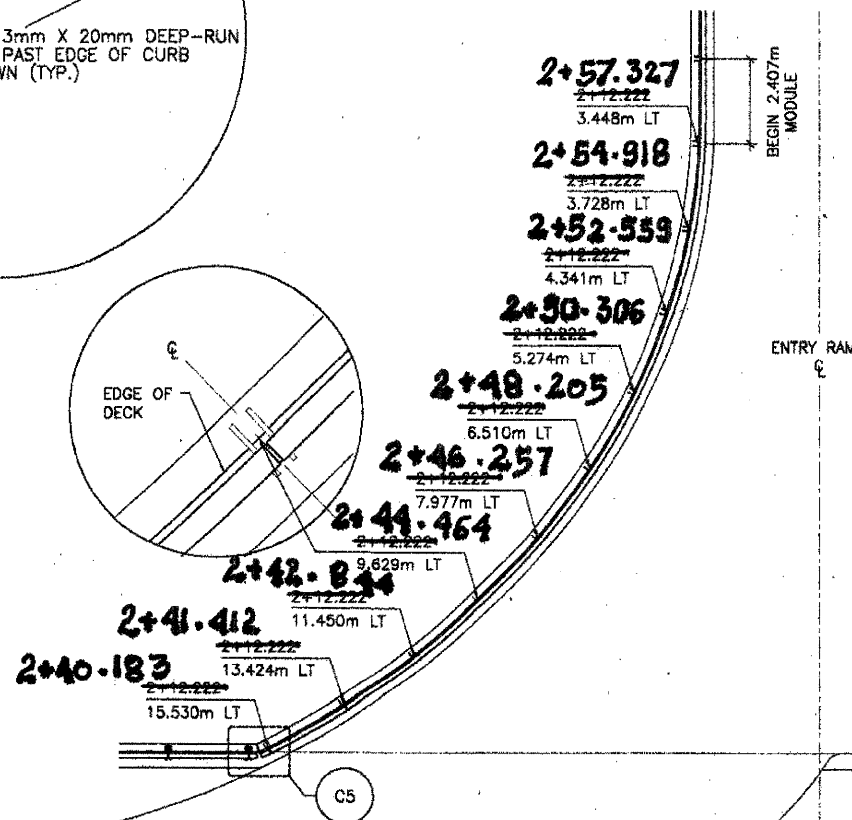
C3 ENTRY RAMP-PARTIAL PLAN
SCALE: 1:50



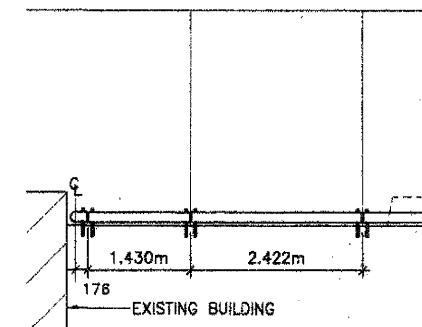
**C1 NORTHEAST CORNER
GUARDRAIL TERMINUS-PLAN**
SCALE: 1:50



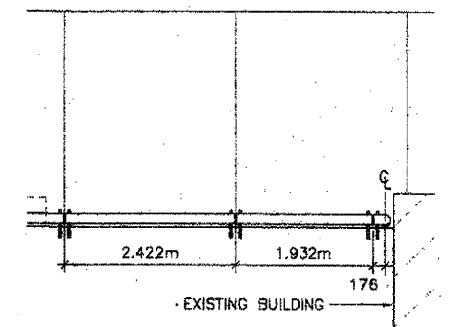
**E8 HANDICAPPED SIDEWALK RAMP -
SCHEMATIC VIEW**
SCALE: NTS



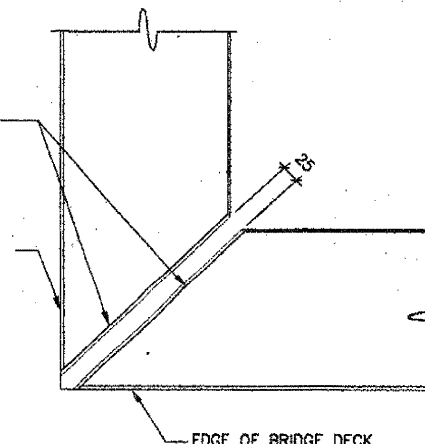
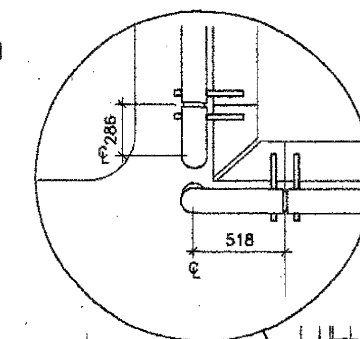
F5 GUARDRAIL SPACING ALONG ENTRY RAMP CURVE
SCALE: 1:100



**D3 SOUTHWEST CORNER
GUARDRAIL TERMINUS-PLAN**
SCALE: 1:50



**D1 SOUTHEAST CORNER
GUARDRAIL TERMINUS-PLAN**
SCALE: 1:50



F2 FASCIA MITER-DETAIL (TYP.)
SCALE: 1:5

ALL DIMENSIONS IN MILLIMETERS U.N.O.

**PLAN
DETAILS**

JACKSON BOULEVARD
OVER I-90/94, F.A. RTE. 90/94
SEC. 0101-2-18-R-1

COOK COUNTY
STA. 1+350.230
STR. NUM. 016-0588

Scale: AS NOTED

DE STEFANO - PARTNERS

Design and Planning, Inc.
440 East Lake Street
Chicago, Illinois 60601

Architects
1111 North Dearborn Street
Chicago, Illinois 60610