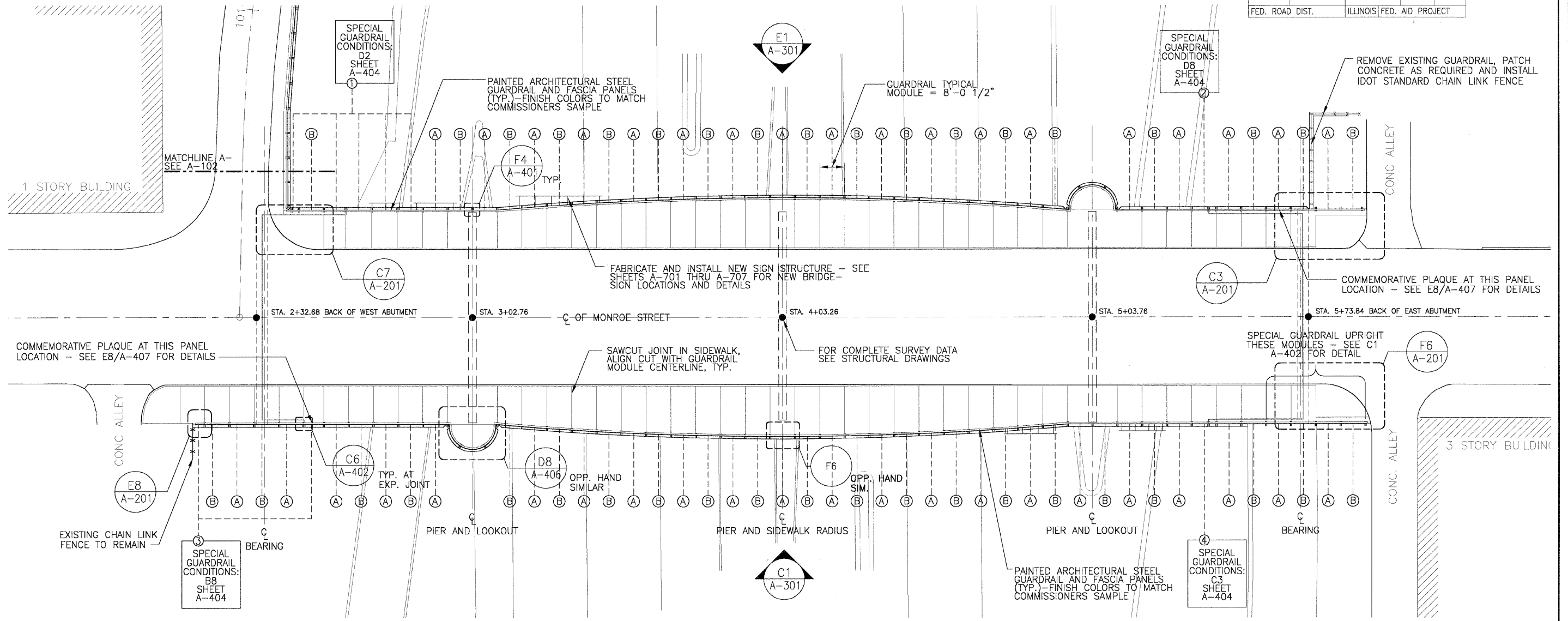
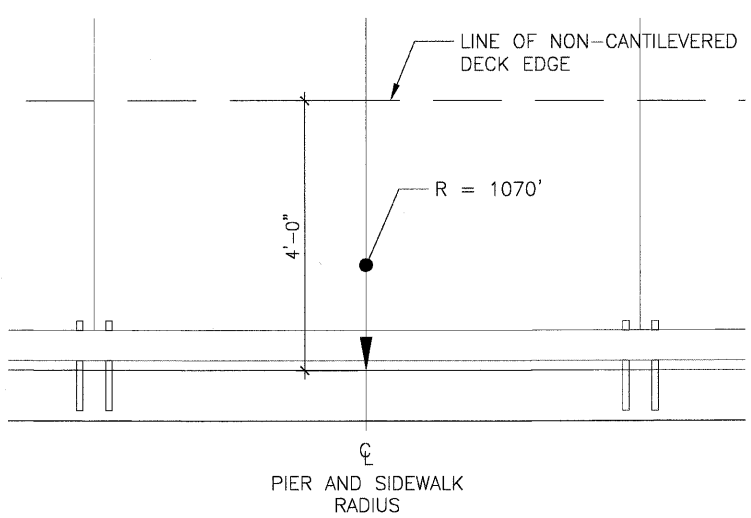


STATE OF ILLINOIS  
DEPARTMENT OF TRANSPORTATION

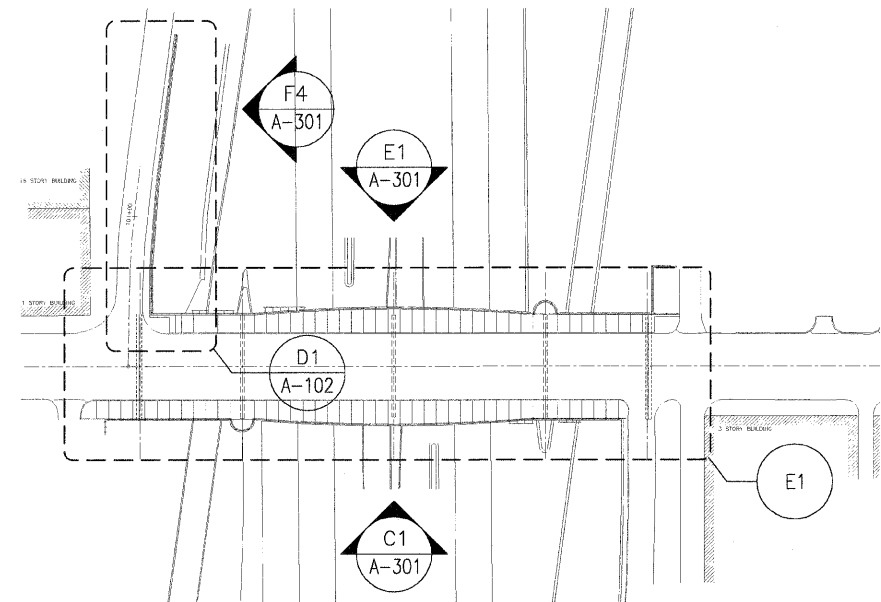
ROUTE NO.	SECTION	COUNTY	TOTAL SHEETS	SHEET NO.	SHEET NO. A-101
1420	0101.2-4B-R	COOK	246	218	SHEETS
FED. ROAD DIST.		ILLINOIS FED. AID PROJECT			



E1 BRIDGE - PLAN  
SCALE: 1/16"=1'-0"



F6 SIDEWALK CANTILEVER - PLAN DETAIL  
SCALE: 3/4"=1'-0"



F3 BRIDGE - KEY PLAN  
SCALE: NTS

DESTEFANO | KEATING  
partners limited  
Architecture  
445 East Illinois Street  
Chicago, Illinois

**BRIDGE PLAN**  
MONROE STREET OVER I-90/94  
KENNEDY EXPRESSWAY  
F.A.U. RTE. 1420, SEC. 0101.2-4B-R  
COOK COUNTY  
STA. 4+03.26  
STR. NUM. 016-2054  
Scale: AS NOTED