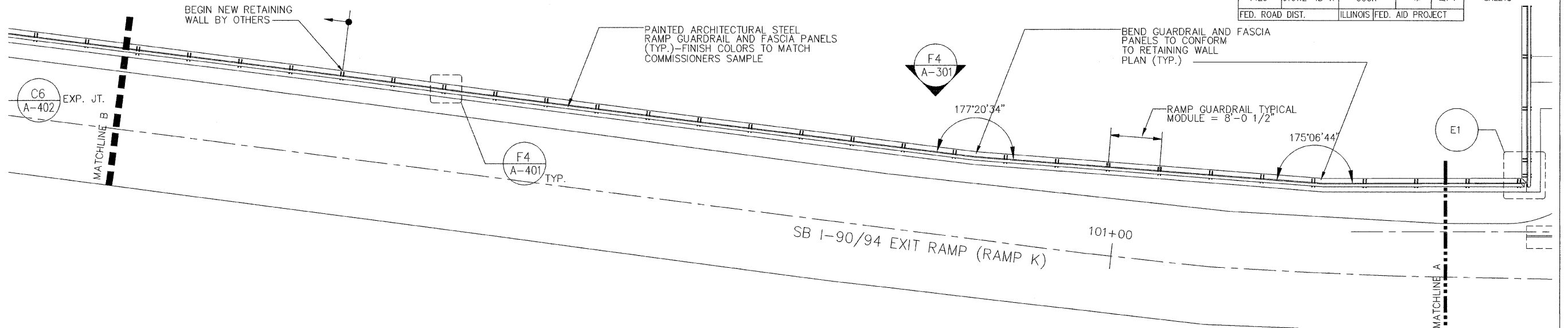
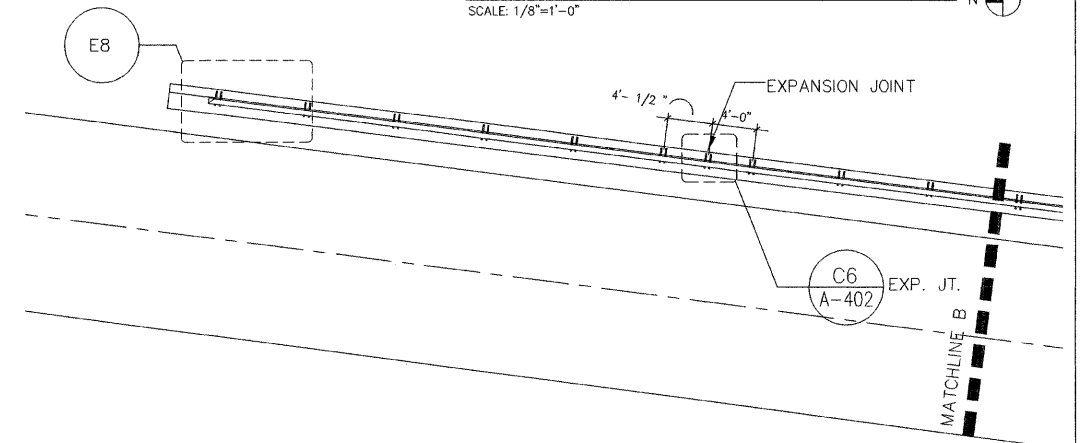


STATE OF ILLINOIS
DEPARTMENT OF TRANSPORTATION

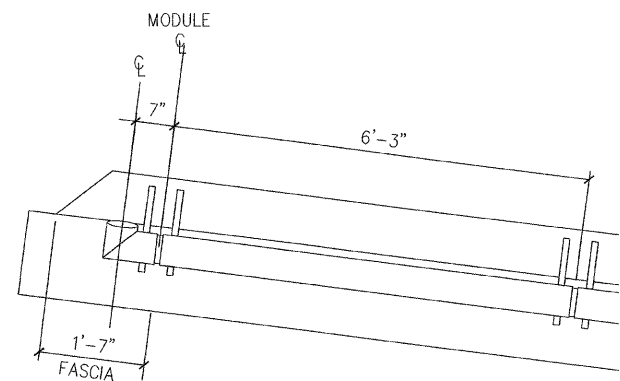
ROUTE NO.	SECTION	COUNTY	TOTAL SHEETS	SHEET NO.	SHEET NO. A-102 SHEETS
1420	0101.2-4B-R	COOK	246	219	
FED. ROAD DIST.		ILLINOIS FED. AID PROJECT			



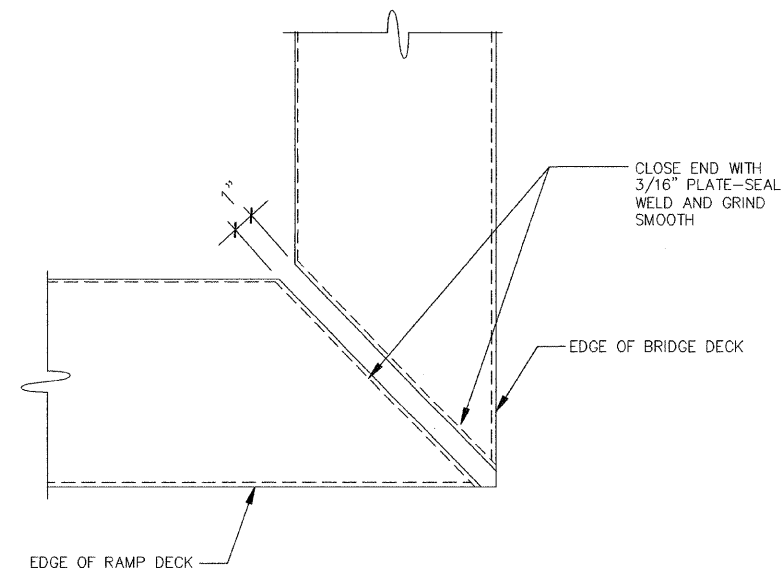
D1 SOUTHBOUND EXIT RAMP - PLAN
SCALE: 1/8"=1'-0"



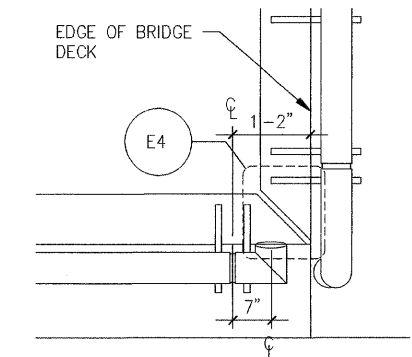
D2 SOUTHBOUND EXIT RAMP - PLAN
SCALE: 1/8"=1'-0"



E8 EXIT RAMP - PLAN DETAIL
SCALE: 3/4"=1'-0"



E4 FASCIA MITER - DETAIL
SCALE: 3"=1'-0"



E1 EXIT RAMP - PLAN DETAIL
SCALE: 3/4"=1'-0"

DESTEFANO | KEATING
partners limited
Architecture
445 East Illinois Street
Chicago, Illinois

BRIDGE EXIT RAMP PLAN
MONROE STREET OVER I-90/94
KENNEDY EXPRESSWAY
F.A.U. RTE. 1420, SEC. 0101.2-4B-R
COOK COUNTY
STA. 4+03.26
STR. NUM. 016-2054
Scale: AS NOTED