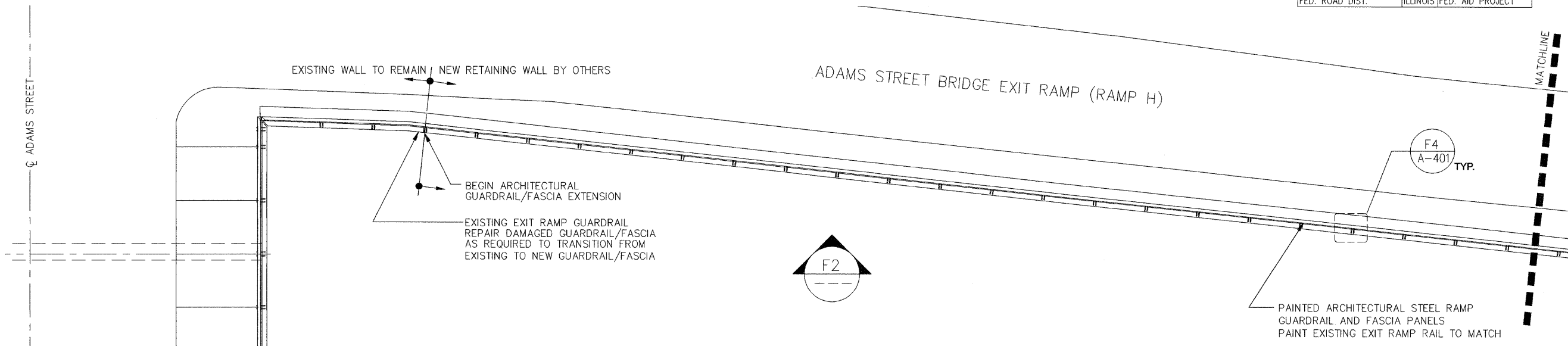
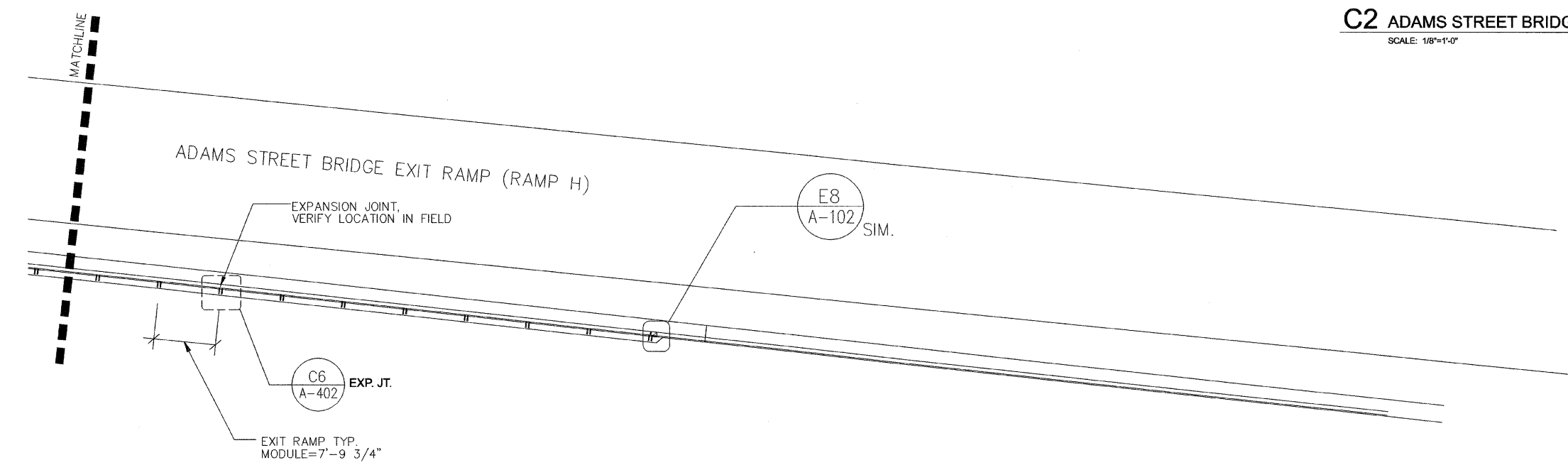


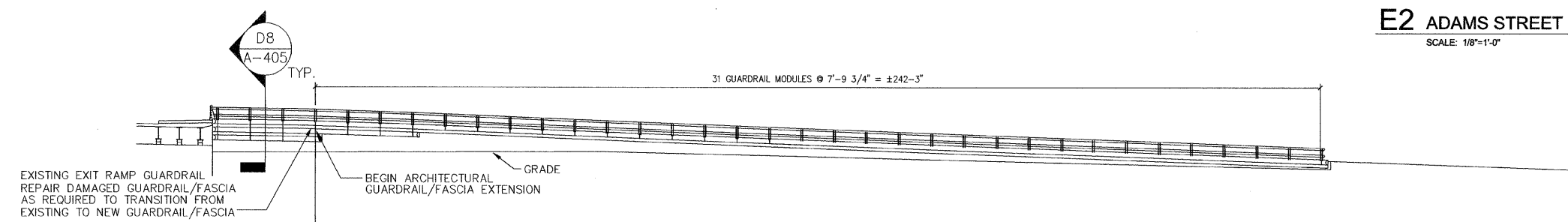
ROUTE NO.	SECTION	COUNTY	TOTAL SHEETS	SHEET NO.	SHEET NO.
1420	0101.2-4B-R	COOK	246	220	A-104
FED. ROAD DIST.		ILLINOIS FED. AID PROJECT		SHEETS	



C2 ADAMS STREET BRIDGE EXIT RAMP-PLAN
SCALE: 1/8"=1'-0"



E2 ADAMS STREET BRIDGE EXIT RAMP-PLAN
SCALE: 1/8"=1'-0"



F2 ADAMS STREET BRIDGE EXIT RAMP-ELEVATION
SCALE: 1/16"=1'-0"

ADAMS STREET BRIDGE
RAMP GUARDRAIL MODIFICATIONS

MONROE STREET OVER I-90/94
KENNEDY EXPRESSWAY
F.A.U. RTE. 1420, SEC. 0101.2-4B-R
COOK COUNTY
STA. 4+03.26
STR. NUM. 016-2054

Scale: AS NOTED

DESTEFANO | KEATING
partners limited

Architecture

445 East Illinois Street
Chicago, Illinois