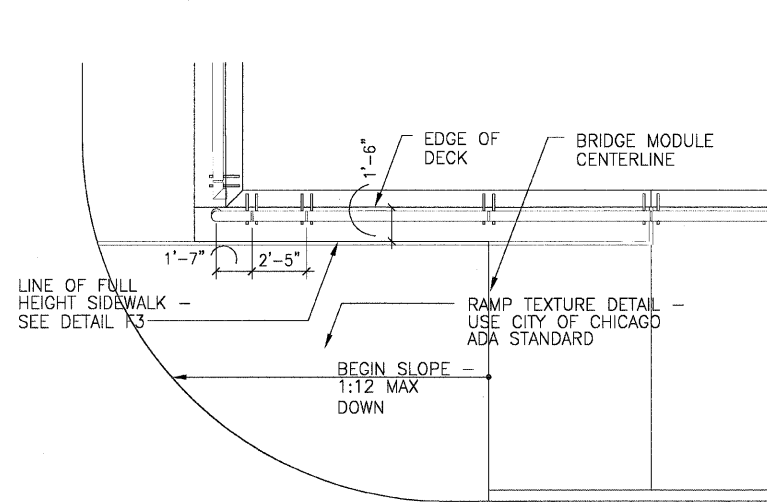
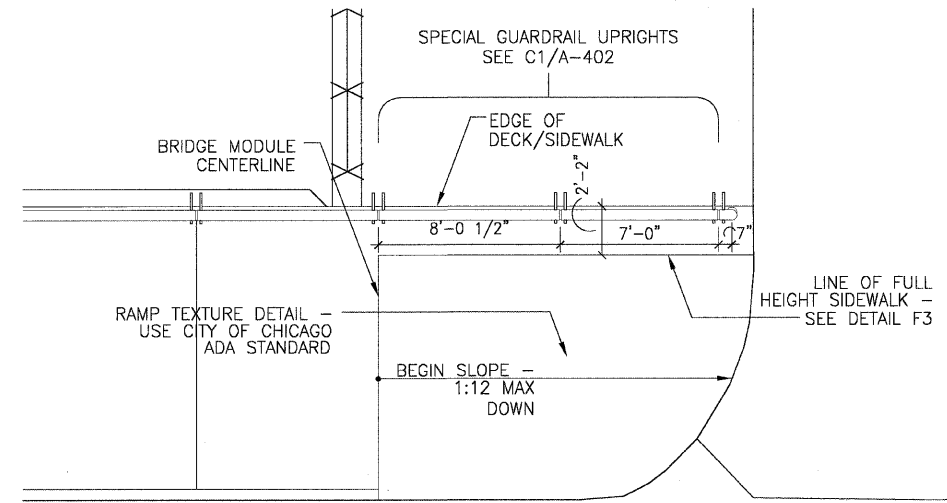


STATE OF ILLINOIS
DEPARTMENT OF TRANSPORTATION

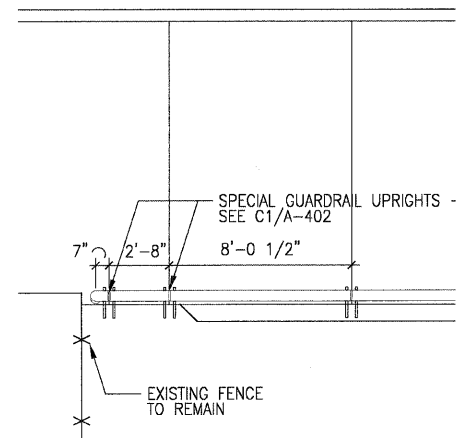
ROUTE NO.	SECTION	COUNTY	TOTAL SHEETS	SHEET NO.	SHEET NO. A-201
1420	0101.2-4B-R	COOK	246	221	SHEETS
FED. ROAD DIST.		ILLINOIS FED. AID PROJECT			



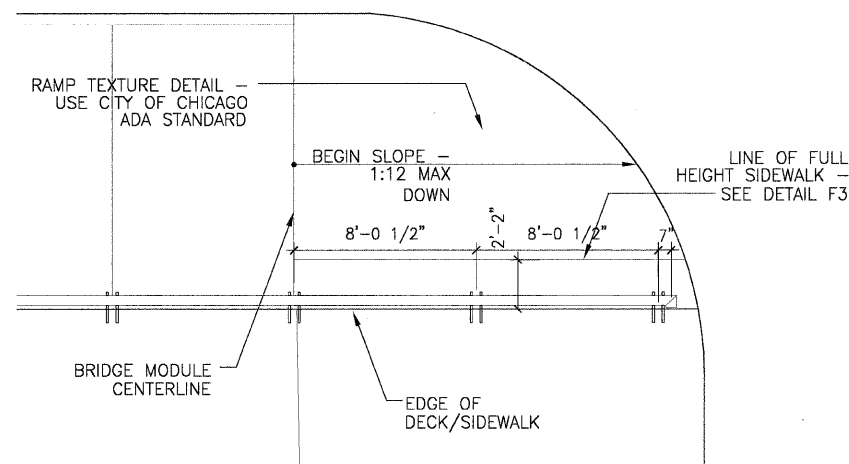
C7 NORTHWEST GUARDRAIL
TERMINUS - PLAN
SCALE: 1/4"=1'-0"



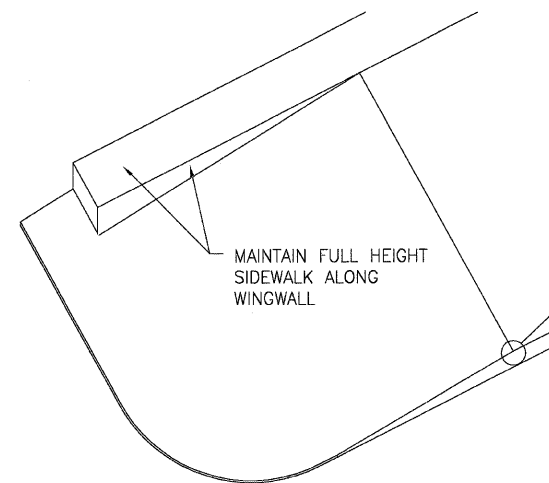
C3 NORTHEAST GUARDRAIL
TERMINUS - PLAN
SCALE: 1/4"=1'-0"



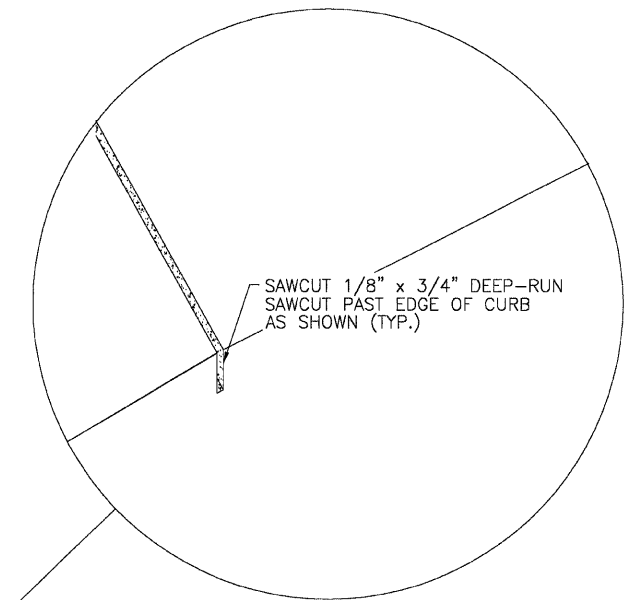
E8 SOUTHWEST GUARDRAIL
TERMINUS - PLAN
SCALE: 1/4"=1'-0"



F6 SOUTHEAST GUARDRAIL
TERMINUS - PLAN
SCALE: 1/4"=1'-0"



F3 HANDICAPPED SIDEWALK
RAMP - SCHEMATIC VIEW
SCALE: NTS



**PLAN
DETAILS**

MONROE STREET OVER I-90/94
KENNEDY EXPRESSWAY
F.A.U. RTE. 1420, SEC. 0101.2-4B-R
COOK COUNTY
STA. 4+03.26
STR. NUM. 016-2054

Scale: AS NOTED

DESTEFANO | KEATING
partners limited
Architecture
445 East Illinois Street
Chicago, Illinois