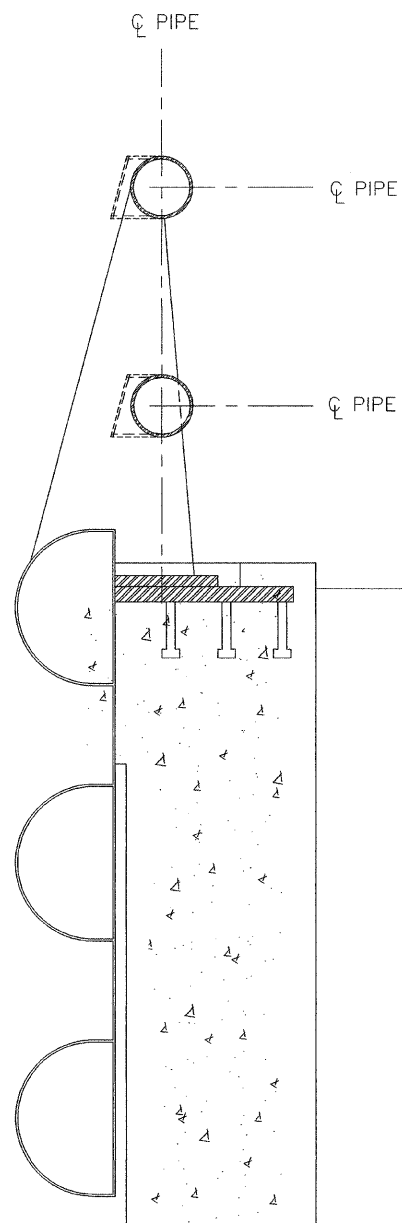
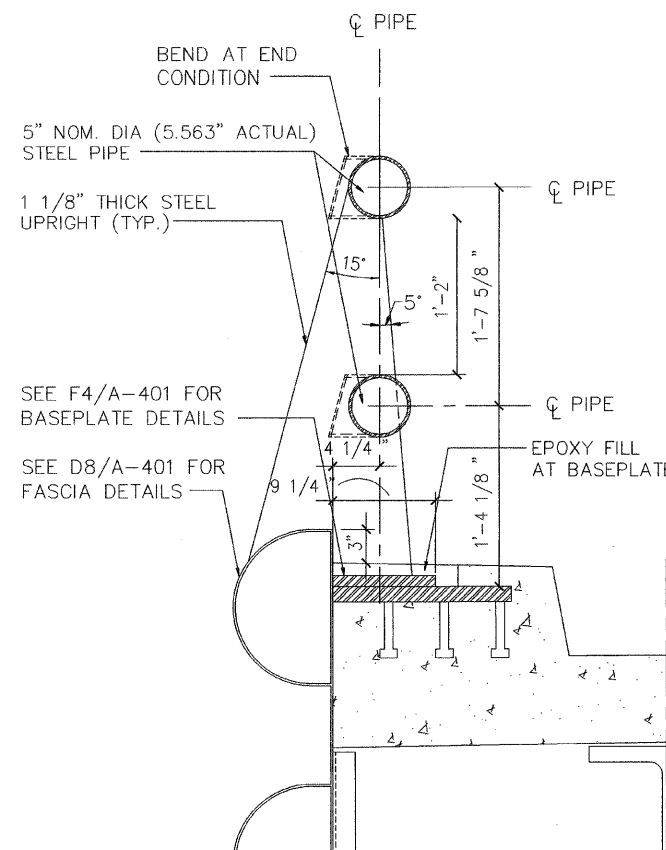


ROUTE NO.	SECTION	COUNTY	TOTAL SHEETS	SHEET NO.	SHEET NO. A-405 SHEETS
1420	0101.2-4B-R	COOK	223	223	
FED. ROAD DIST.	ILLINOIS	FED. AID PROJECT			

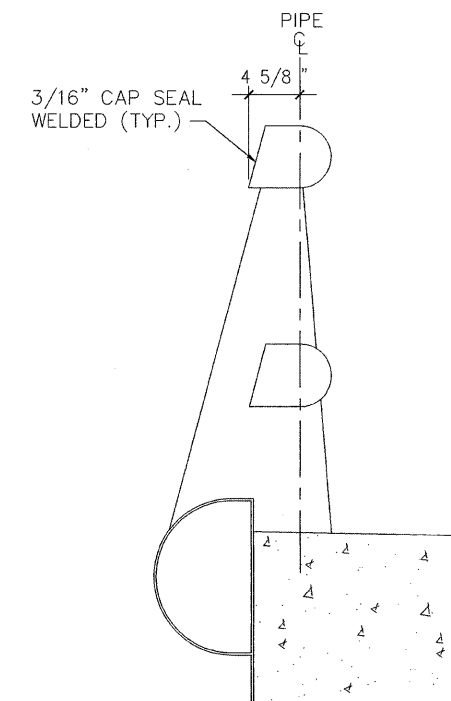
SEE D8 FOR TYPICAL NOTES AND DIMENSIONS



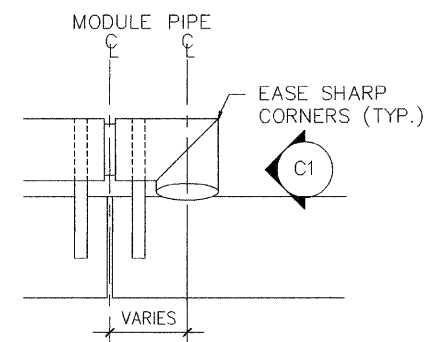
**D7** RAMP GUARDRAIL/FASCIA AT EXIT  
RAMP RETAINING WALL - SECTION  
SCALE: 1-1/2"=1'-0"



**D8** RAMP GUARDRAIL/FASCIA SECTION  
SCALE: 1-1/2"=1'-0"



**C1** RAMP GUARDRAIL END  
CONDITION-ELEVATION  
SCALE: 1-1/2"=1'-0"



**E8** RAMP GUARDRAIL END CONDITION-  
PLAN  
SCALE: 1-1/2"=1'-0"