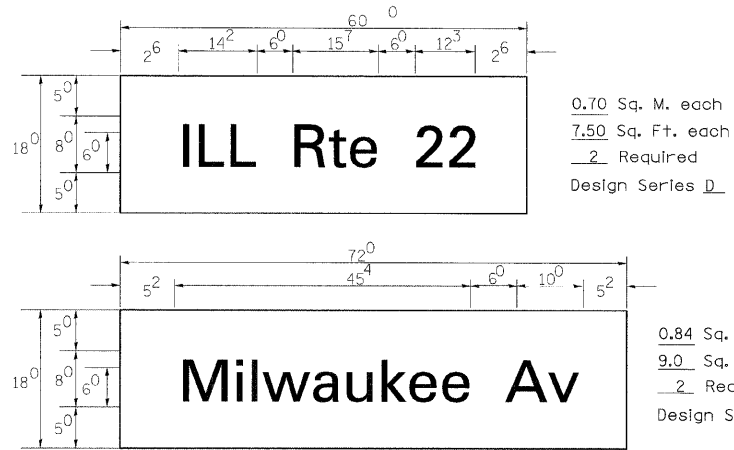
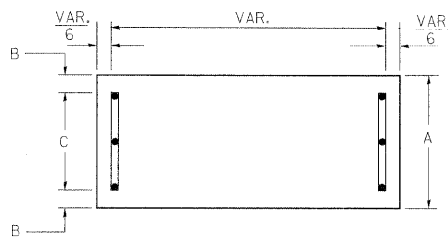


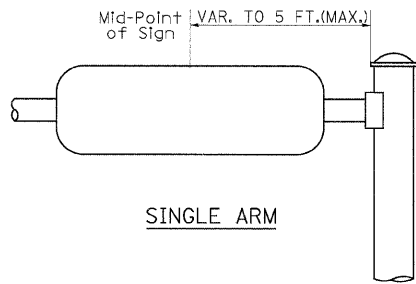
PANEL SIGN DESIGN TYPE 1



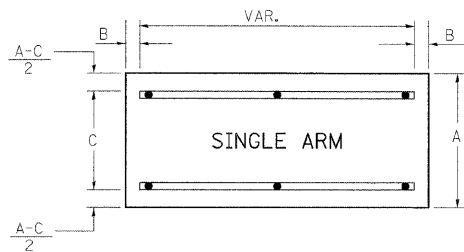
SUPPORTING CHANNELS



A	B	C
18"	2"	14"



SUPPORTING CHANNELS



A	B	C
18"	2"	12"
30"	2"	22"

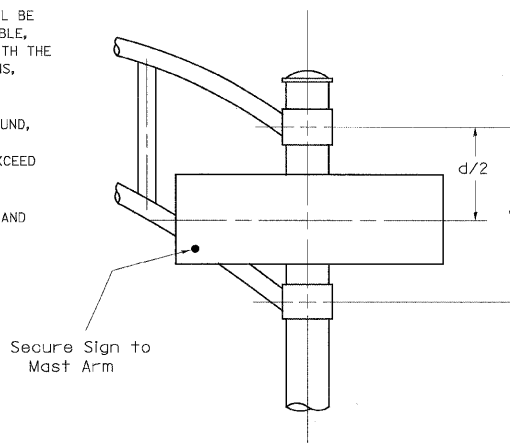
NOTE: SIGN DIMENSIONS ARE IN ENGLISH UNITS

GENERAL NOTES

- WHERE MAST ARM MOUNTED STREET NAME SIGNS ARE SPECIFIED, THE MAST ARM ASSEMBLY AND POLES SHALL BE DESIGNED TO SUPPORT THE LOADINGS CALLED FOR ON STANDARDS 834001, 834006 AND 834011, AS APPLICABLE, PLUS TWO (2) SIGN PANELS 2'-6" x 6'-0" MOUNTED AS SHOWN. THE DESIGN SHALL BE IN ACCORDANCE WITH THE REQUIREMENTS OF THE CURRENT "STANDARD SPECIFICATIONS FOR STRUCTURAL SUPPORTS FOR HIGHWAY SIGNS, LUMINAIRES, AND TRAFFIC SIGNALS" AS PUBLISHED BY THE AMERICAN ASSOCIATION OF STATE HIGHWAY AND TRANSPORTATION OFFICIALS FOR 80 M.P.H. WIND VELOCITY.
- ALL SIGNS SHALL HAVE A WHITE REFLECTORIZED LEGEND AND BORDER ON A GREEN REFLECTORIZED BACKGROUND, TYPE A SHEETING.
- THE SIGN LENGTH SHOULD BE INCREASED IN 6-INCH INCREMENTS, BUT THE OVERALL LENGTH SHOULD NOT EXCEED 6'-0".
- ALL BORDERS SHALL BE 3/4" WIDE AND CORNER RADIUS SHALL BE 2-1/4".
- SIGNFIX ALUMINUM CHANNEL FRAMING SYSTEM SHALL BE USED FOR ALL SIGNS ATTACHED TO SIGNAL POLES AND POSTS. LOCAL SUPPLIERS OF THE SIGNFIX ALUMINUM CHANNEL FRAMING SYSTEM ARE:
 - * A.K.T. CORPORATION, SCHALMBURG, IL
 - * TUCKER COMPANY, INC., WAUWATOSA, WI
 - * AMERICAN FABRICATION CO., CHICAGO HEIGHTS, IL
 - * WESTERN TRAFFIC CONTROL INC., CICERO, IL

PARTS LISTING:
 SIGN CHANNEL: PART #HPN053 (MED. CHANNEL)
 SIGN SCREWS: 1/4" x 14 x 1" H.W.H. #3
 SELF TAPPING WITH NEOPRENE WASHER
 BRACKETS: PART #HPN034 (UNIVERSAL)
 CHANNEL CLAMPS WITH STAINLESS STEEL STRAPPING

OTHER BRANDS OF MOUNTING HARDWARE ARE ACCEPTABLE, BASED UPON THE DEPARTMENT'S APPROVAL AND COMPATIBILITY WITH THE CHANNEL/BACKET OF THE ABOVE PRODUCT.



DUAL ARM

SIGNFIX ALUMINUM CHANNEL FRAMING SYSTEM

Shall be used. See Note #5.

Upper Case To Lower Case
 Spacing Chart 8-6 Inch Series "C & D"

EXAMPLE, 2

3 DENOTES 3/8"

FIRST LETTER	SECOND LETTER																	
	a c d e		g o q		b h i k l		m n p r u		f w		J		s t		v y		x z	
A W X	12	14	14	15	12	14	06	10	11	14	06	10	11	12	12	14	12	14
B	14	15	20	21	14	15	11	12	14	15	12	14	12	14	16	17	16	17
C E G	14	15	20	21	12	14	06	10	12	14	12	14	14	15	14	15	14	15
D O Q R	14	15	20	21	14	15	06	10	12	14	12	14	14	15	14	15	14	15
F	05	06	14	15	06	10	05	06	06	10	06	10	06	10	11	12	10	11
H I M N	20	21	22	24	20	21	14	15	16	17	16	17	20	21	20	21	20	21
J U	20	21	20	21	16	17	14	15	16	17	16	17	16	17	20	21	20	21
K L	11	12	16	17	11	12	05	06	11	12	11	12	11	12	12	14	12	14
P	12	14	14	15	12	14	05	06	11	12	11	12	11	12	12	14	12	14
S	12	14	16	17	12	14	06	10	12	14	12	14	12	14	12	14	12	14
T	11	12	16	17	06	10	06	10	11	12	11	12	11	12	11	12	12	14
V	06	10	14	15	11	12	06	10	12	14	12	14	12	14	12	14	12	14
Y	05	06	14	15	06	10	05	06	05	07	05	06	06	10	11	12	10	11
Z	16	17	22	24	16	17	12	14	16	17	16	17	16	17	20	21	20	21

Lower Case To Lower Case
 Spacing Chart 6 Inch Series "C & D"

FIRST LETTER	SECOND LETTER																	
	a c d e		g o q		b h i k l		m n p r u		f w		J		s t		v y		x z	
a d h g i j	16	17	22	24	16	17	12	14	14	15	14	15	16	17	16	17	16	17
l m n q u	16	17	22	24	16	17	12	14	14	15	14	15	16	17	16	17	16	17
b f k o p s	12	14	16	17	11	12	05	06	11	12	11	12	12	14	12	14	12	14
c e	12	14	16	17	12	14	06	10	12	14	12	14	12	14	12	14	12	14
r	06	10	12	14	06	10	03	03	05	06	05	06	06	10	06	10	06	10
t z	12	14	16	17	12	14	06	10	11	12	11	12	12	14	12	14	12	14
v y	11	12	14	15	11	12	05	06	06	10	06	10	11	12	11	12	11	12
w	11	12	14	15	11	12	05	06	11	12	11	12	11	12	12	14	12	14
x	12	14	16	17	11	12	05	06	11	12	11	12	11	12	12	14	12	14

Number To Number
 Spacing Chart 8 Inch Series "C & D"

FIRST LETTER	SECOND NUMBER																			
	0		1		2		3		4		5		6		7		8		9	
0 9	16	17	16	17	14	15	12	14	14	15	14	15	16	17	12	14	16	17	16	17
1	20	21	20	21	20	21	16	17	14	15	20	21	20	21	14	15	20	21	20	21
2 3 4	14	15	14	15	14	15	12	14	12	14	14	15	14	15	11	12	16	17	14	15
5	14	15	14	15	14	15	11	12	11	12	14	15	14	15	11	12	14	15	14	15
6	16	17	14	15	14	15	12	14	14	15	14	15	11	12	14	15	14	15	14	15
7	12	14	12	14	14	15	12	14	14	15	11	12	14	15	12	14	15	14	15	14
8	16	17	16	17	14	15	12	14	14	15	16	17	12	14	16	17	14	15	14	15

NUMBER	6 INCH SERIES		8 INCH SERIES	
	C	D	C	D
1	12	14	15	20
2	32	40	43	53
3	32	40	43	53
4	35	43	47	57
5	32	40	43	53
6	32	40	43	53
7	32	40	43	53
8	32	40	43	53
9	32	40	43	53
0	34	42	45	55

TS-18

REVISIONS	
NAME	DATE
D.A.Z./D.A.G.	4/90
	6/98
CADD	10/00

ILLINOIS DEPARTMENT OF TRANSPORTATION

MAST ARM MOUNTED STREET NAME SIGNS

SCALE: HOR: NONE
 VER: NONE
 DATE: 1/28/2009

DRAWN BY: TJR
 CHECKED BY: RKF A

PATRICK
 ENGINEERING INC.
 LISLE, ILLINOIS

P:\Lisle\DDT\9171.A0\Drawings\RDWY\Mill\Shets\Trsf\sign-1.dgn
 2/5/2009 5:15:34 PM