

| TEMPORARY LIGHTING SYSTEM BILL OF MATERIALS | | |
|------------------------------------------------|-------|----------|
| DESCRIPTION | UNITS | QUANTITY |
| ELECTRIC CABLE, AERIAL 2/C #6 | FOOT | 600 |
| TEMPORARY 400W HPS LUMINAIRE, 240V | EACH | 16 |
| TEMPORARY MAST ARM, 12' | EACH | 16 |

NOTES:

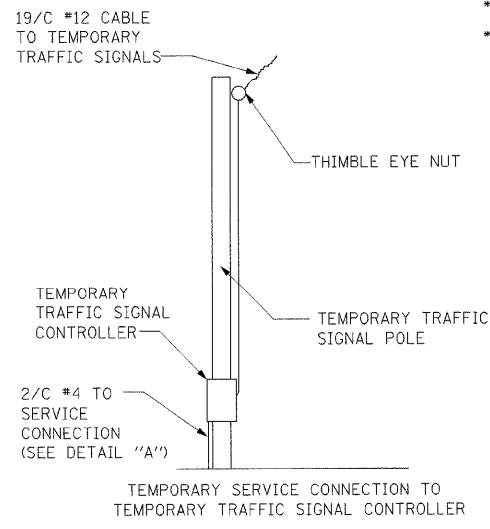
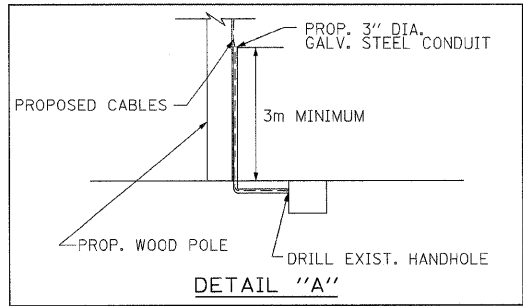
1. THE CONTRACTOR SHALL CONNECT TEMPORARY TRAFFIC SIGNALS TO THE TEMPORARY TRAFFIC SIGNAL CONTROLLER AS SHOWN ON THE DETAIL, "TEMPORARY TRAFFIC SIGNAL CONNECTION". THE CONTRACTOR SHALL REUSE THE ELECTRICAL SERVICE FOR THE TEMPORARY TRAFFIC SIGNAL CONTROLLER. EXTRA PRECAUTION MUST BE TAKEN WHEN PLACING STRAPS, MOUNTING CONDUIT AND RUNNING CABLE. THE CONTRACTOR SHALL PROVIDE ALL NECESSARY EQUIPMENT, TOOLS, AND DEVICES REQUIRED FOR PROPER SERVICE CONNECTIONS. ALL TEMPORARY SERVICE AND CONNECTIONS SHALL BE INCLUDED IN THE CONTRACT UNIT PRICE PER EACH FOR "TEMPORARY TRAFFIC SIGNAL INSTALLATION."
2. CONTRACTOR TO CLEAN-UP AND RESTORE AREA TO THE SATISFACTION OF THE RESIDENT ENGINEER. ALL WORK SHALL BE DONE IN A WORKMANSHIP MANNER. POLES SHALL BE STRAIGHT AND PLUMB. WIRES SHALL BE TRAINED AND TIED. THIS WORK SHALL BE INCLUDED IN THE CONTRACT UNIT PRICE FOR "TEMPORARY TRAFFIC SIGNAL INSTALLATION."
3. FOR TEMPORARY LIGHTING NOTES, SEE SHEET E-1.

| TEMPORARY TRAFFIC SIGNAL INSTALLATION BILL OF MATERIALS | | |
|------------------------------------------------------------|-------|----------|
| DESCRIPTION | UNITS | QUANTITY |
| WOOD POLES, CLASS 5, 45 FT. WITH GUY WIRE AND ANCHORS | EACH | 8 |
| ELECTRIC CABLE, AERIAL SUSPENDED SIGNAL NO. 12, 19C | FOOT | 100 |
| ELECTRIC CABLE, AERIAL SUSPENDED POWER NO. 4, 2C | FOOT | 500 |
| SIGNAL HEAD, 1 FACE, 3 SECTION, 12" LENSES | EACH | 12 |
| FIBER OPTIC SIGN | EACH | 2 |
| NO LEFT TURN, R3-2 | EACH | 2 |

* ALL WORK SHALL BE PAID FOR UNDER THE CONTRACT UNIT PRICE PER EACH FOR "TEMPORARY TRAFFIC SIGNAL INSTALLATION"

TEMPORARY TRAFFIC SIGNAL & LIGHTING LEGEND

- ← PROPOSED TRAFFIC SIGNAL HEAD WITH SPAN WIRE, LOCATION VARIES
- ⊗ EXISTING ComEd SERVICE
- ⊘ WOOD POLE (CLASS 5 OR BETTER), 50 FT. MINIMUM
- ⊕ EXISTING LIGHTING CONTROLLER
- ⊙ EXISTING LIGHT POLE TO REMAIN
- ⊖ TEMPORARY MAST ARM AND LUMINAIRE
- 2WT TEMPORARY LIGHTING AERIAL CABLE
- TEMPORARY SPAN WIRE, TETHER WIRE AND CABLE
- FR FIBER OPTIC SIGN, "NO RIGHT TURN"
- + "NO LEFT TURN" (R3-2)
- ▨ WORK AREA
- ⊞ TEMPORARY TRAFFIC SIGNAL CONTROLLER



| REVISIONS | |
|-----------|------|
| NAME | DATE |
| | |
| | |
| | |
| | |
| | |

TS-4

ILLINOIS DEPARTMENT OF TRANSPORTATION
111TH STREET OVER
F.A.I ROUTE 57 (INTERSTATE 57)
**TEMPORARY TRAFFIC SIGNAL PLAN
111TH STREET**

SCALE: 1" = 20'
DATE: 01/16/09

DRAWN BY: ACL
CHECKED BY: RMW

TENG
TENG & ASSOCIATES, INC.
ENGINEERS/ARCHITECTS/PLANNERS
205 N. MICHIGAN AVE., CHICAGO, IL 60601
TELEPHONE: 312/616-0000

\\NITH ST BORDER.DGN, \\SYNMOOTSE.DGN, \\SPLM00T0G.DGN, \\LAL100TFF.DGN, \\TPO0074F.DGN, \\NRW00M03B.DGN, \\TDR0005V.G.DGN, \\NRW0006.G.DGN, \\MOT00UG.DGN
 H6-2009_0246-4
 T:\DOCUMENT\950860\KIVIL\CON\EXHIB040.DGN
 12/24/06 7:39:10 II 12/13/14 15:16:17 18/19 20/21 22/23 24/25 26/27 28/29 30/31 32/33 34/35 36/37 38/39 40/41 42/43 44/45 46/47 48/49 50/51 52/53 54/55 56/57 58/59 60/61 62/63