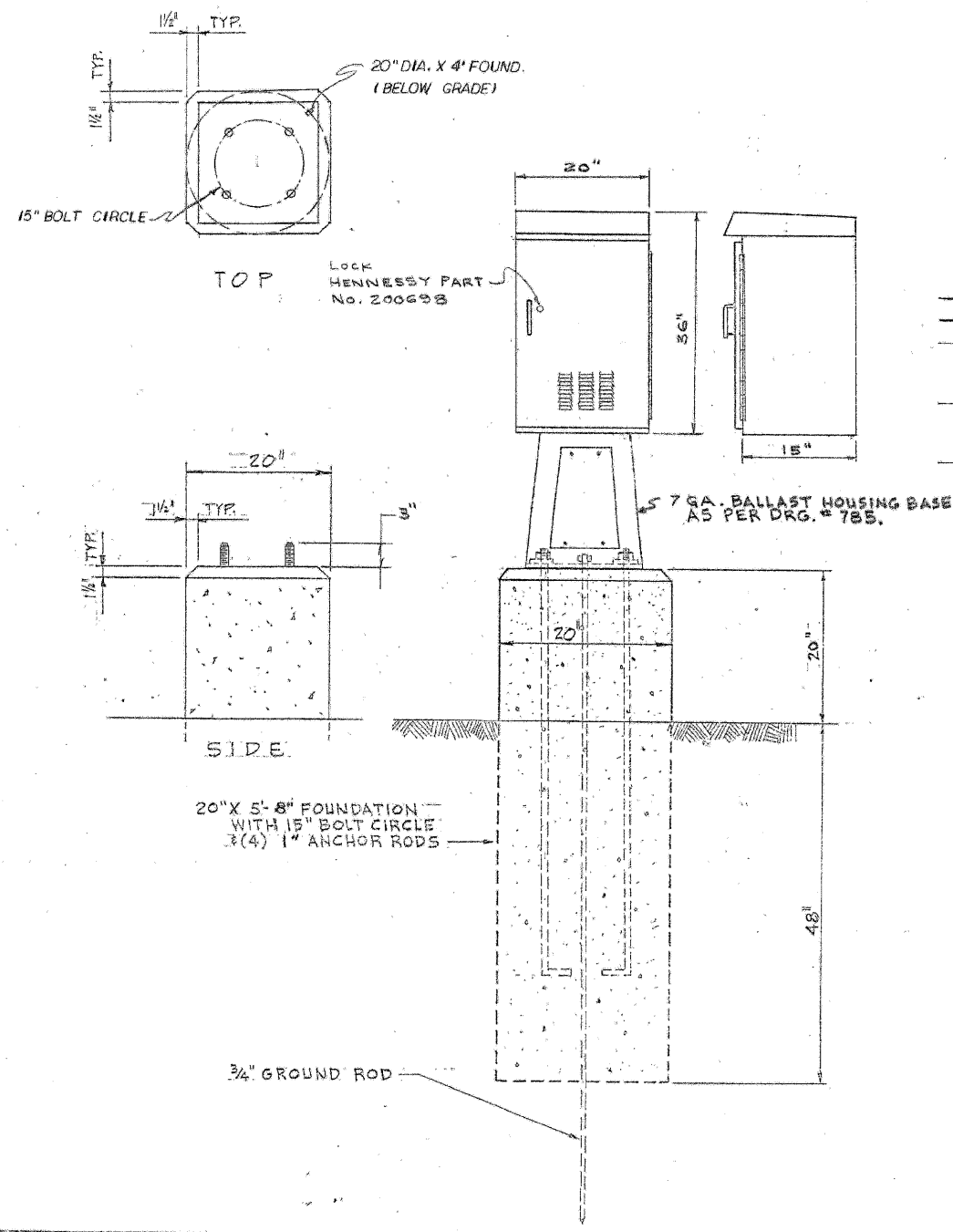


CODE	DRG.	MATERIAL	SIZE	QUANT.
08-5082-8324		FIBER FORM	20" $\phi$	4'
08-5267-2940		CONCRETE	CU. YD.	0.7
37-8180-0236	811	ANCHOR ROD	1" x 60"	4
09-7796-9200		GROUND ROD	3/4" x 10'	1
09-2636-3240		CLAMP, GROUND ROD	3/4"	1
37-2130-4280	785	CABINET ALUMINUM	36" x 20" x 15"	1
		BALLAST HOUSING B5	1'-4" x 1'-8"	1



NOTE:  
**HENNESSY "38" CABINET #212373 OR U.L. APPROVED EQUIVALENT.**

- SEE DRAWING # 883 FOR ELECTRICAL PANEL DETAILS.
- SEE DRAWINGS # 862 & 864 FOR WIRING DIAGRAM.
- DRILL (4) 1/2" DIA. HOLES IN BOTTOM OF CABINET & TOP OF BALLAST HOUSING BASE. BOLT CABINET TO B.H.B USING (4) 3/8" x 2 1/2" BOLTS.
- OPENINGS IN BOTTOM OF CABINET & TOP OF B.H.B. MAY BE ENLARGED TO A MAX. OF 5" x 10" TO FACILITATE ADDITIONAL CABLE.
- NUMBER & SIZE OF CONDUITS TO BE SHOWN ON CONSTRUCTION DRGS.

A 4-26-93 CAB. NO. CHANGED - CITY NAME REMOVED	
DATE	REVISION
<b>100 AMP. BASE MOUNTED STREET LIGHT CONTROLLER</b>	
CITY OF CHICAGO DEPT. OF STREETS AND SANITATION BUREAU OF ELECTRICITY DIVISION OF ELECTRICAL ENGINEERING	
DRAFTSMAN: W. TROMPKA	CHIEF DRAFTSMAN: C.R.
SUPERVISING ENGINEER: D. Carlson	ENGINEER: M. DeBartolo D.W.G. I.G.
ENGINEER OF ELECTRICITY: A. DeBartolo	876
GEN'L. SUPT. OF ELECTRICITY	
DEPUTY COMMISSIONER: Kenneth J. Carlson	
SIZE: 16   21	SCALE: 1" = 1'-0"   DATE:

ORIG. X

ES-14

REVISIONS	
NAME	DATE

ILLINOIS DEPARTMENT OF TRANSPORTATION  
 111TH STREET OVER  
 F.A.I ROUTE 57 (INTERSTATE 57)

ELECTRICAL STANDARD DETAILS

SCALE: \_\_\_\_\_ DRAWN BY: N/A  
 DATE: 01/16/09 CHECKED BY: N/A

**TENG**

TENG & ASSOCIATES, INC.  
 ENGINEERS, ARCHITECTS, PLANNERS  
 205 N. MICHIGAN AVE., CHICAGO, IL 60601  
 TELEPHONE: 312/645-0000

NINTH ST BORER.DGN  
 P:16-2009, 11/19/02  
 T:\DOCUMENT\9530866\CIVIL\DON\KHO\909.DGN  
 1 2 3 4 5 6 7 8 9 10 11 12 13 14 15 16 17 18 19 20 21 22 23 24 25 26 27 28 29 30 31 32 33 34 35 36 37 38 39 40 41 42 43 44 45 46 47 48 49 50 51 52 53 54 55 56 57 58 59 60 61 62 63