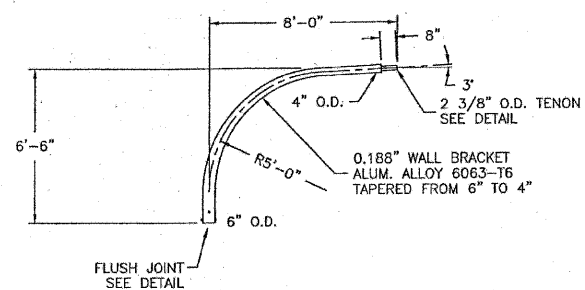
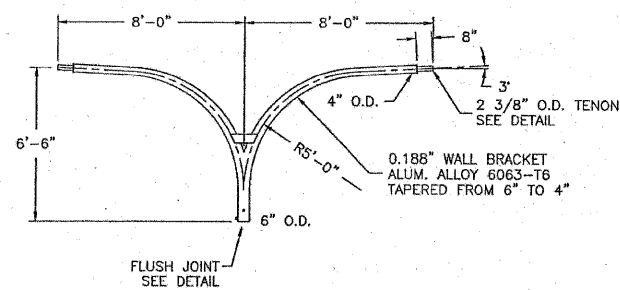


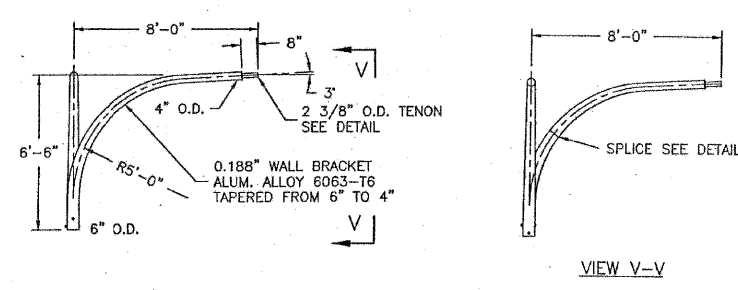
F.A.I. RTE.	SECTION	COUNTY	TOTAL SHEETS	SHEET NO.
57	2021.3-R	COOK	101	054
STA.		TO STA.		
FED. ROAD DIST. NO. 1		ILLINOIS FED. AID PROJECT		
CONTRACT NO. 62532				



SINGLE DAVIT ARM



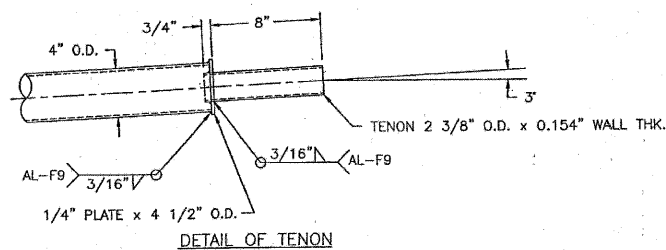
TWIN DAVIT ARM AT 180°



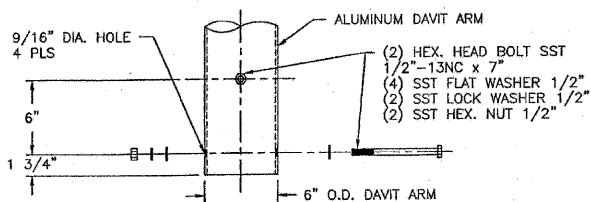
ELEVATION

VIEW V-V

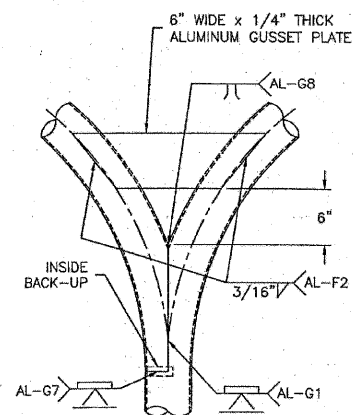
TWIN DAVIT ARM AT 90°



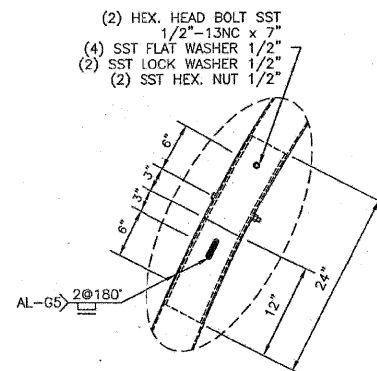
DETAIL OF TENON



DETAIL OF FLUSH JOINT



TWIN ARM (180°) WELD DETAIL



SPLICE DETAIL

- (2) HEX. HEAD BOLT SST 1/2"-13NC x 7"
- (4) SST FLAT WASHER 1/2"
- (2) SST LOCK WASHER 1/2"
- (2) SST HEX. NUT 1/2"

ALUMINUM DAVIT ARM 6" x 8'-0"		
CITY OF CHICAGO DEPT. OF STREETS AND SANITATION BUREAU OF ELECTRICITY DIVISION OF ELECTRICAL ENGINEERING		
DESIGNING	CHECKED	ENGINEER
SUPERVISING ENGINEER	ELEC. DESIGN ENGR.	
ENGINEER OF ELECTRICITY		DWG. NO.
CHIEF, SUPT. OF CONSTRUCTION		948
DEPUTY COMMISSIONER		DATE: 1-29-02
SIZE	SCALE	

REVISIONS	
NAME	DATE

ILLINOIS DEPARTMENT OF TRANSPORTATION
111TH STREET OVER
F.A.I. ROUTE 57 (INTERSTATE 57)

ELECTRICAL STANDARD DETAILS

SCALE: NONE
DATE: 01/16/09
DRAWN BY: N/A
CHECKED BY: N/A

TENG
TENG & ASSOCIATES, INC.
ENGINEERS/ARCHITECTS/PLANNERS
205 N. MICHIGAN AVE., CHICAGO, IL 60601
TELEPHONE: 312/616-0000

WITH ST. SUPERBLOK
 FILE: 2009_050003
 T:\DOCUMENT\1920860\CHICAGO\EXHIBIT\001\001.DWG
 2 3 4 5 6 7 8 9 10 11 12 13 14 15 16 17 18 19 20 21 22 23 24 25 26 27 28 29 30 31 32 33 34 35 36 37 38 39 40 41 42 43 44 45 46 47 48 49 50 51 52 53 54 55 56 57 58 59 60 61 62 63
 HECHTBR