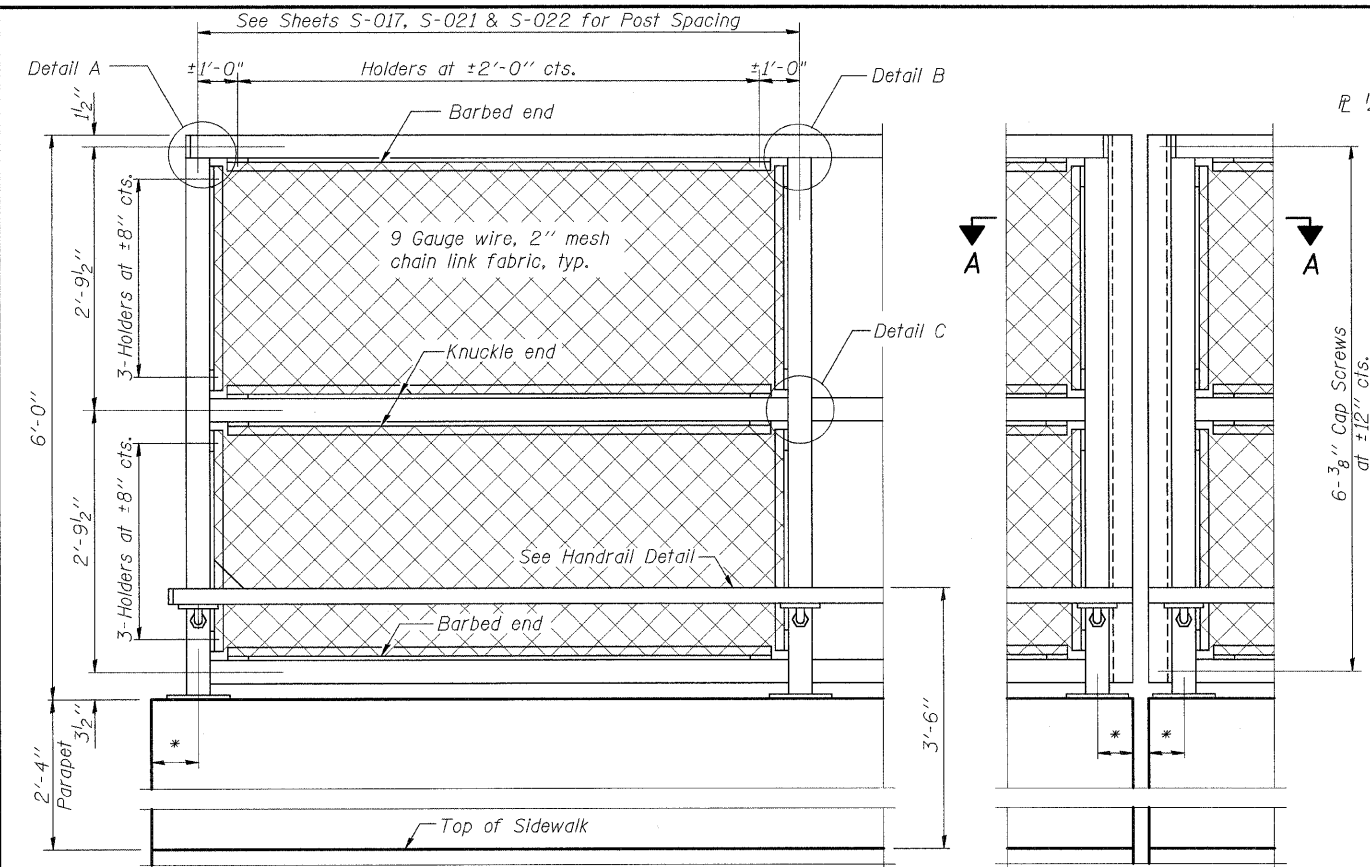


F.A.I. RTE.	SECTION	COUNTY	TOTAL SHEETS	SHEET NO.
57	2021.1B-R	COOK	101	076
STA.	TO STA.			
FED. ROAD DIST. NO. 1	ILLINOIS	FED. AID PROJECT		
CONTRACT NO. 62532				

All steel rail elements shall be galvanized according to Article 509.05 of the Standard Specifications.



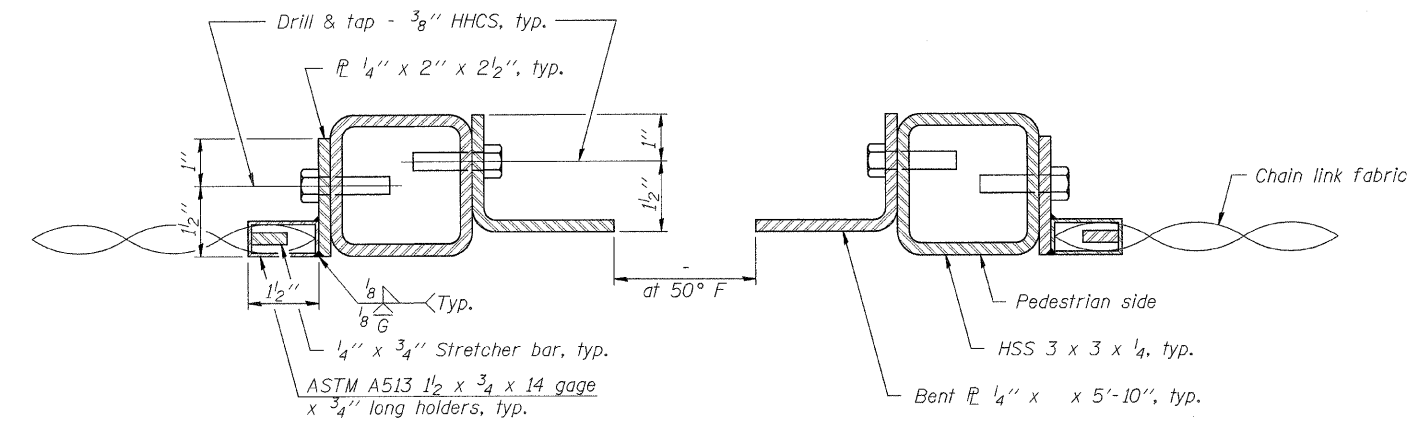
ELEVATION
(Inside Face)

ELEVATION
(At Expansion Joint)

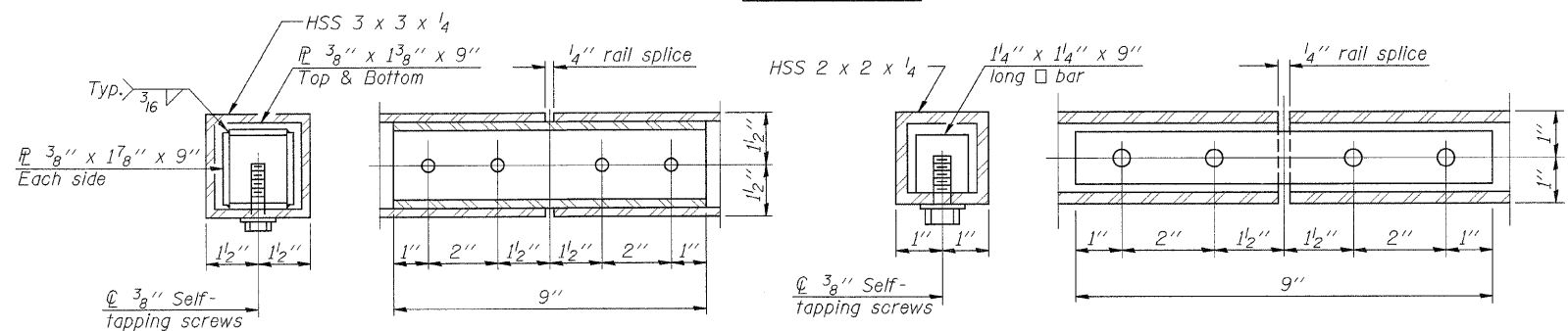
DETAIL A

DETAIL B

DETAIL C

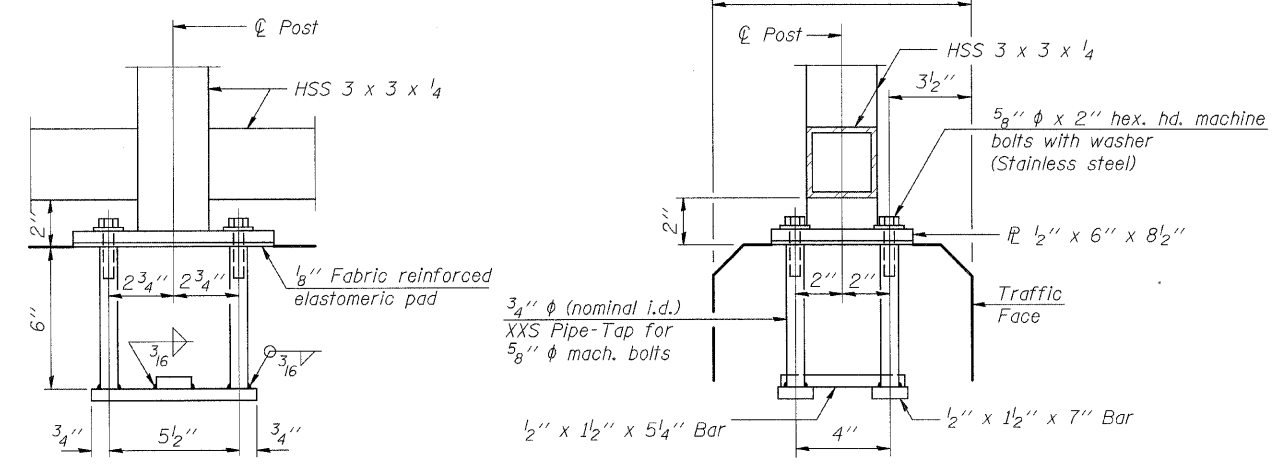


SECTION A-A



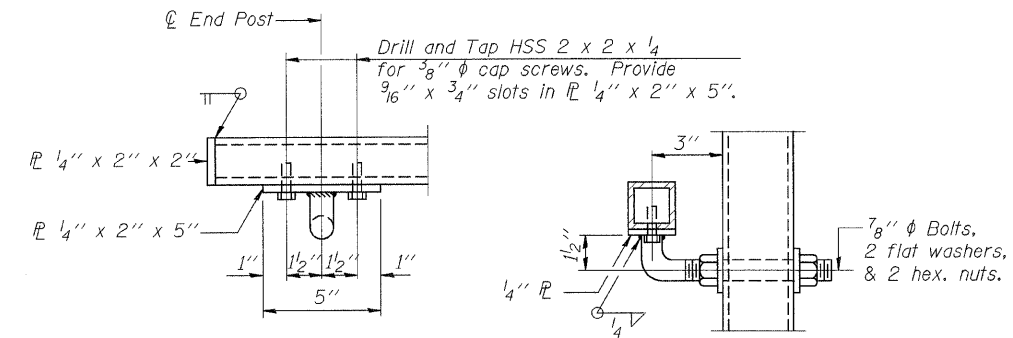
RAIL SPLICE

HANDRAIL SPLICE

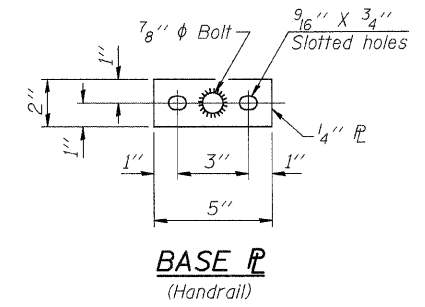


ANCHOR BOLT DETAILS

In lieu of the cast-in-place anchor device shown, the Contractor has the option of drilling and setting 5/8" ϕ anchor rods according to Article 509.06 of the Standard Specifications. Embedment shall be according to the manufacturer's specifications.



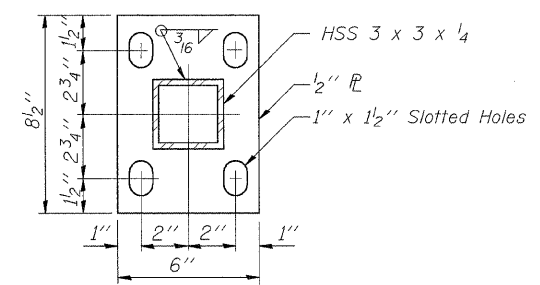
HANDRAIL DETAIL



BASE ϕ
(Handrail)

BILL OF MATERIAL

Item	Unit	Quantity
Bridge Fence Railing	Foot	82



BASE ϕ

* Variable - See Shts. S-017, S-021 & S-022

SHT. S-012

REVISIONS	
NAME	DATE

ILLINOIS DEPARTMENT OF TRANSPORTATION
F.A.I. ROUTE 57 (INTERSTATE 57)
111TH STREET BRIDGE DECK REPLACEMENT
111th STREET OVER I-57
SN 016-0989 STA. 556+99.89
COOK COUNTY
BRIDGE FENCE RAILING
PARAPET MOUNTED 2

DATE: 01/16/09

DRAWN BY: TMH
CHECKED BY: JLR

TENG

TENG & ASSOCIATES, INC.
ENGINEERS ARCHITECTS PLANNERS
205 N. MICHIGAN AVE., CHICAGO, IL 60601
TELEPHONE: 312.616.0000

\HROD001.G:\DGN... \BROD001.G:\DGN... \BROD001.G:\DGN...
 color Table: K:\STANDARD\TENC\DATA\COLORTABLE.TBL
 pen Table: N/A
 RITCHEL
 color Table: K:\STANDARD\TENC\DATA\COLORTABLE.TBL
 pen Table: N/A