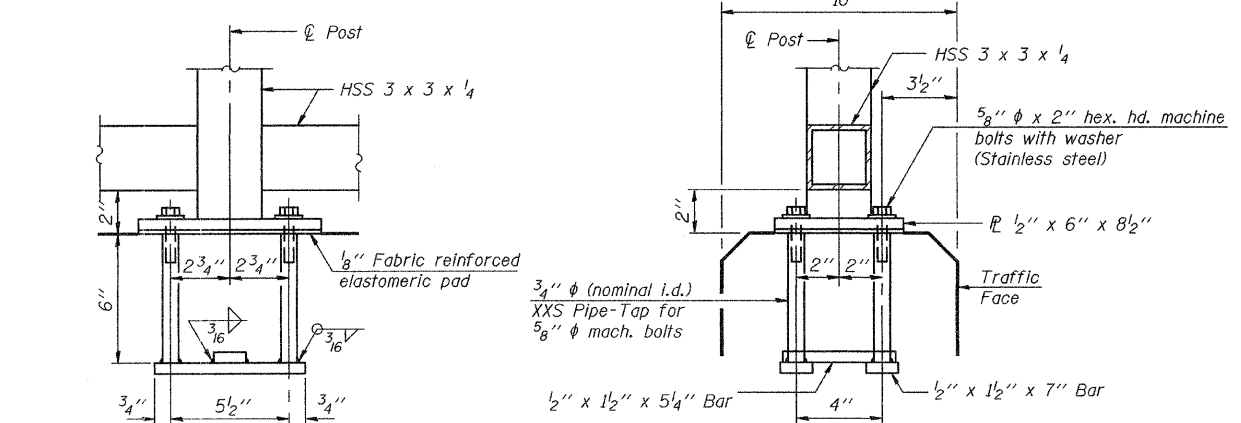


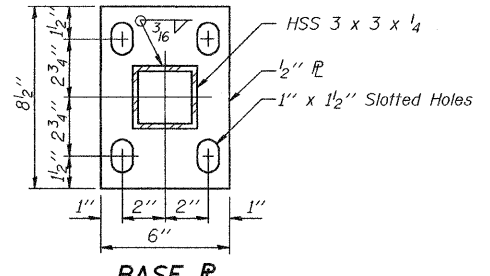
ELEVATION
(Inside Face)

ELEVATION
(At Expansion Joint)

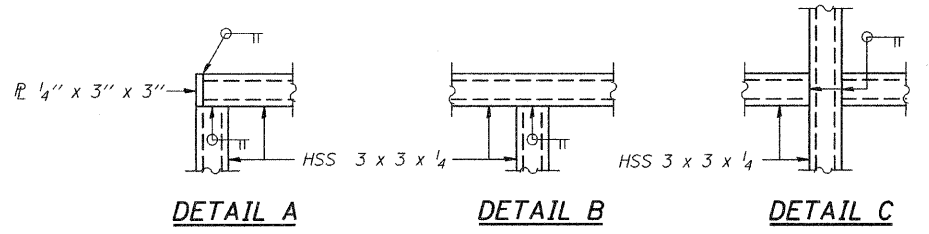


ANCHOR BOLT DETAILS

In lieu of the cast-in-place anchor device shown, the Contractor has the option of drilling and setting 5/8" anchor rods according to Article 509.06 of the Standard Specifications. Embedment shall be according to the manufacturer's specifications.

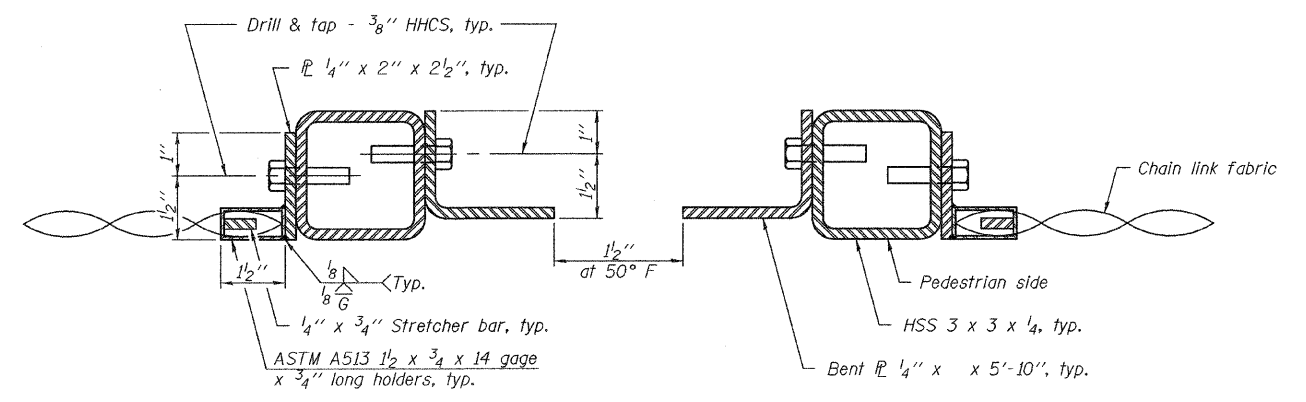


BASE P

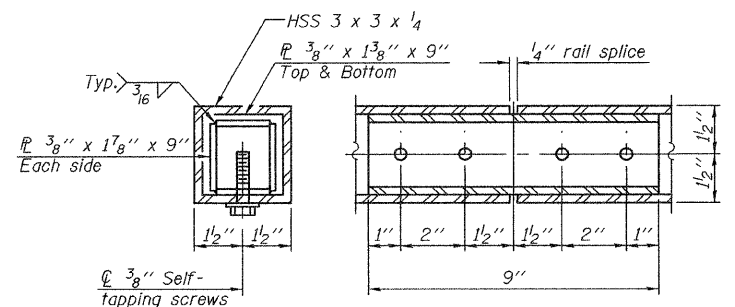


DETAIL A **DETAIL B** **DETAIL C**

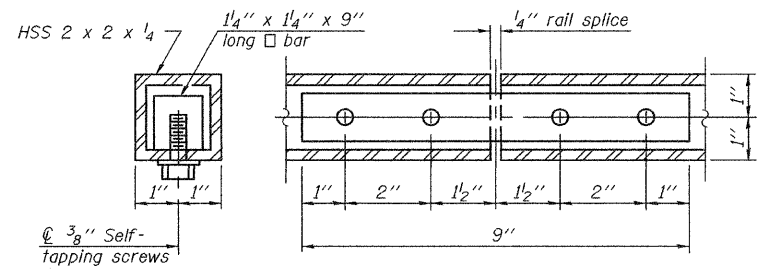
Note:
All steel rail elements shall be galvanized according to Article 509.05 of the Standard Specifications.



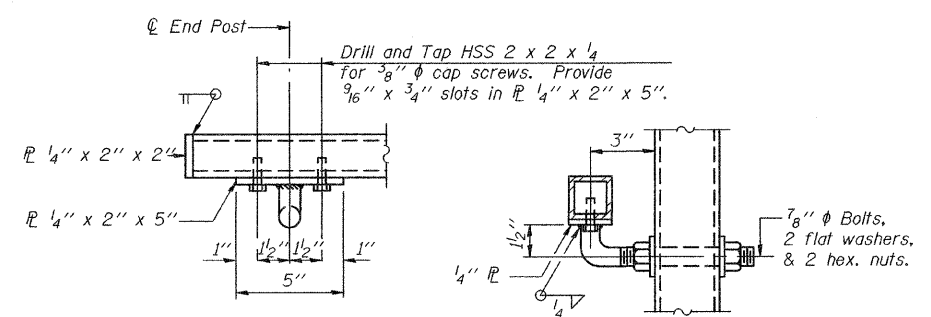
SECTION A-A



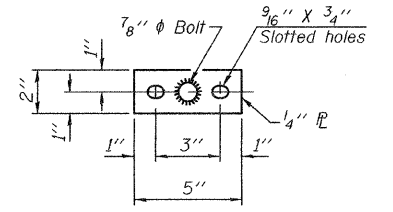
RAIL SPLICE



HANDRAIL SPLICE



HANDRAIL DETAIL



BASE P
(Handrail)

BILL OF MATERIAL

Item	Unit	Quantity
PEDESTRIAN RAILING	Foot	575

**BRIDGE FENCE RAILING
PARAPET MOUNTED
STRUCTURE NO.**

R-28

10-1-08 (10'-0" Maximum Post Spacing)

FILE NAME =	USER NAME = #USER#	DESIGNED -	REVISED -
#FILE#		DRAWN -	REVISED -
	PLOT SCALE = #SCALE#	CHECKED -	REVISED -
	PLOT DATE = #DATE#	DATE -	REVISED -

**STATE OF ILLINOIS
DEPARTMENT OF TRANSPORTATION**

ILL. RTE. 25 (DUNDEE ROAD) OVER I-90 N.W. TOLLWAY
PEDESTRIAN RAILING S.N. 045-0042

SCALE:	SHEET NO. OF SHEETS	STA. TO STA.
--------	---------------------	--------------

F.A.P. RTE. 360	SECTION (54 & 56) RS-6	COUNTY KANE/COOK	TOTAL SHEETS 37	SHEET NO. 21
FED. ROAD DIST. NO. ILLINOIS FED. AID PROJECT			CONTRACT NO. 62847	