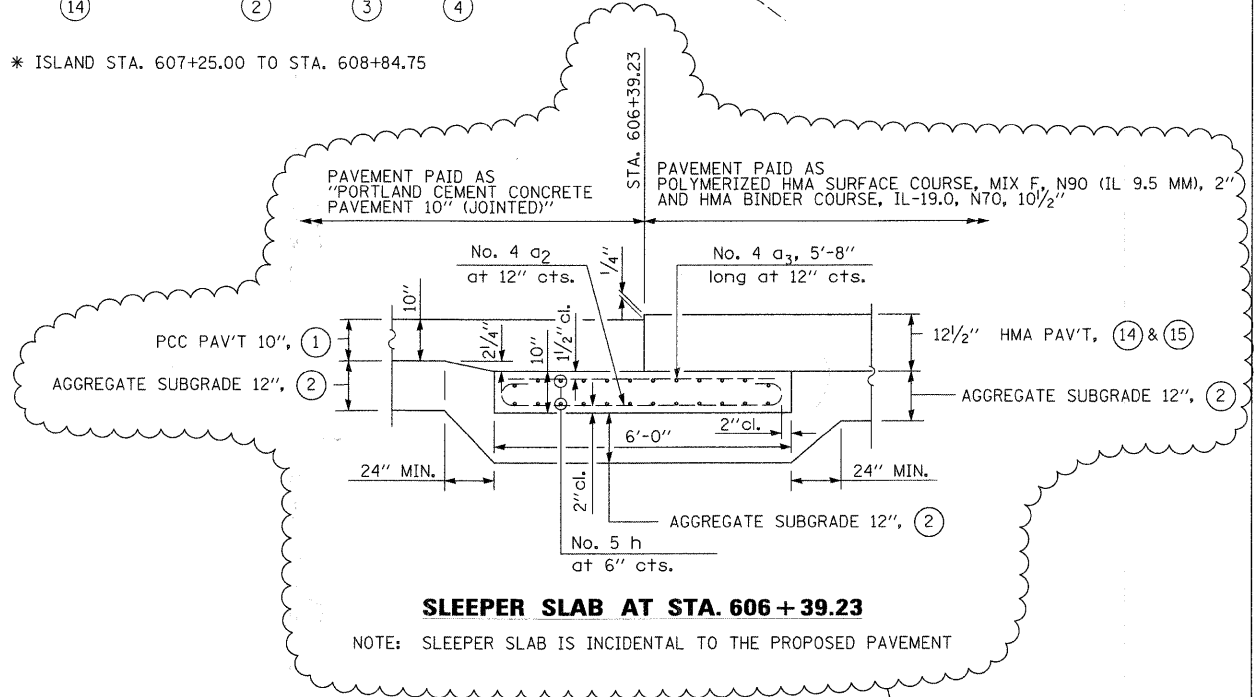


STEARN'S ROAD
STA. 606 + 39.23 TO STA. 608 + 84.79

* ISLAND STA. 607+25.00 TO STA. 608+84.75

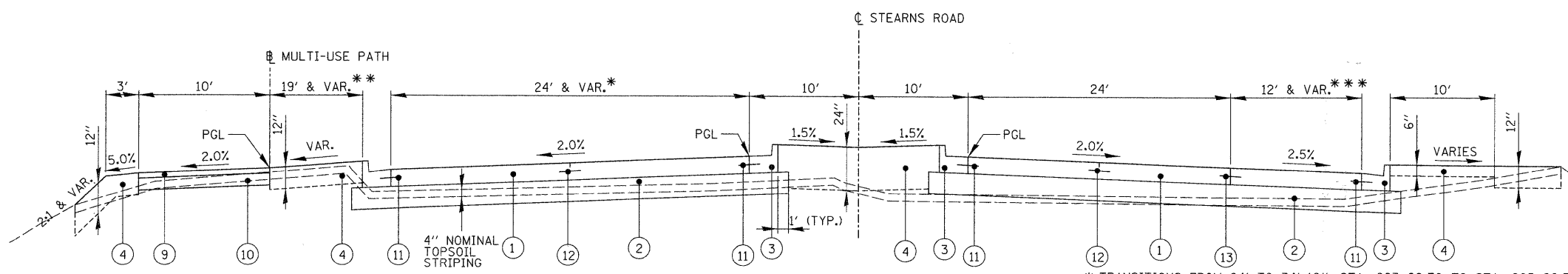
LEGEND

- ① PORTLAND CEMENT CONCRETE PAVEMENT 10" (JOINTED) (ALL REQUIRED JOINTS INCLUDED IN COST)
- ② AGGREGATE SUBGRADE 12"
- ③ COMBINATION CONCRETE CURB AND GUTTER, TYPE B-6.24
- ④ TOPSOIL SEEDING (SEE LANDSCAPING PLAN FOR CLASS) EROSION CONTROL BLANKET (SEE ESC PLAN FOR TYPE)
- ⑤ CONCRETE MEDIAN SURFACE, 4 INCH
- ⑥ CONCRETE MEDIAN, TYPE SB (SPECIAL)
- ⑦ SUBBASE GRANULAR MATERIAL TYPE C
- ⑧ UNDERCUT AND PROPOSED GRANULAR EMBANKMENT SUBGRADE (ASSUMED 12", ACTUAL DEPTH BASED ON FIELD CONDITIONS)
- ⑨ HOT-MIX ASPHALT SURFACE COURSE, MIX C, N50, 2"
- ⑩ AGGREGATE BASE COURSE TYPE B, 6"
- ⑪ TIE BARS (INCLUDED IN COST OF COMB CC&G TY. B-6.24 OR CONC MED TSB SPL)
- ⑫ SAWED LONGITUDINAL JOINT (INCLUDED IN COST OF PCC PVT 10 JOINTED)
- ⑬ LONGITUDINAL CONSTRUCTION JOINT (INCLUDED IN COST OF PCC PVT 10 JOINTED)
- ⑭ POLYMERIZED HOT-MIX ASPHALT SURFACE COURSE, MIX "F", N90 (IL 9.5 MM), 2"
- ⑮ HOT-MIX ASPHALT BINDER COURSE, IL-19.0, N70, 10 1/2"
- ⑯ LEVELING BINDER (MACHINE METHOD), N70, VARIABLE DEPTH 3/4" MIN., 2 1/4" MAX. (USE ⑮ FOR LIFTS > 2 1/4")
- ⑰ HOT-MIX ASPHALT SHOULDERS, 6"
- ⑱ AGGREGATE SHOULDERS, TYPE B 6"
- ⑲ STRIP REFLECTIVE CRACK CONTROL TREATMENT
- ⑳ BITUMINOUS MATERIALS (PRIME COAT)



SLEEPER SLAB AT STA. 606+39.23

NOTE: SLEEPER SLAB IS INCIDENTAL TO THE PROPOSED PAVEMENT



STEARN'S ROAD
STA. 602 + 40.85 TO STA. 606 + 39.23

* TRANSITIONS FROM 24' TO 34'-10", STA. 603+90.70 TO STA. 605+90.70 (SEE INTERSECTION GRADING SHEET FOR ISLAND)
 ** TRANSITIONS FROM 19' TO 10', STA. 603+90.70 TO STA. 605+90.70
 *** TRANSITIONS FROM 0' TO 12' STA. 602+40.85 TO STA. 604+50.85

| | |
|-------------------|---------------------|
| FILE NAME = | USER NAME = MWORMAN |
| TYP_070793_01.SHT | DESIGNED MCW |
| | DRAWN GT |
| | CHECKED MCW |
| | DATE 01/16/09 |

| | |
|---------------|----------------------------|
| DESIGNED MCW | REVISION 1 ADDENDUM 4/9/09 |
| DRAWN GT | REVISION - |
| CHECKED MCW | REVISION - |
| DATE 01/16/09 | REVISION - |

| | |
|---------------|----------------------------|
| DESIGNED MCW | REVISION 1 ADDENDUM 4/9/09 |
| DRAWN GT | REVISION - |
| CHECKED MCW | REVISION - |
| DATE 01/16/09 | REVISION - |

STATE OF ILLINOIS
DEPARTMENT OF TRANSPORTATION

PROPOSED TYPICAL SECTIONS
STEARN'S ROAD

SCALE: SHEET NO. OF SHEETS STA. TO STA.

| | | | | |
|---|----------------|--------|--------------|-----------|
| F.A.P. RTE. | SECTION | COUNTY | TOTAL SHEETS | SHEET NO. |
| 361 | 06-00214-20-BR | KANE | 320 | 14 |
| CONTRACT NO. 63075 | | | | |
| FED. ROAD DIST. NO. 1 ILLINOIS FED. AID PROJECT | | | | |