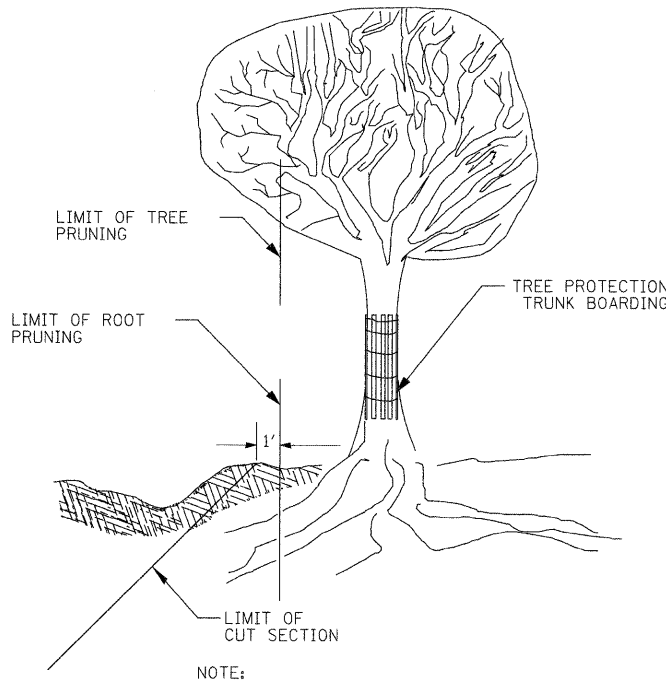
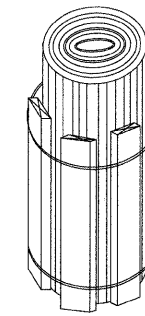


BUTT JOINT DETAIL
N.T.S.



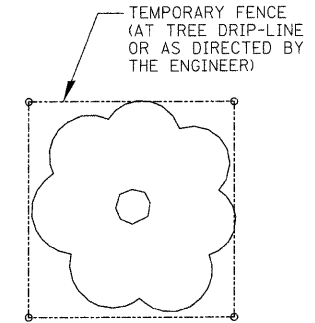
NOTE:
TREE AND ROOT PRUNING SHALL BE DONE IN ACCORDANCE WITH IDOT SPECIFICATION SECTION 201.

TREE TRUNK PROTECTION AND ROOT PRUNING DETAIL
N.T.S.



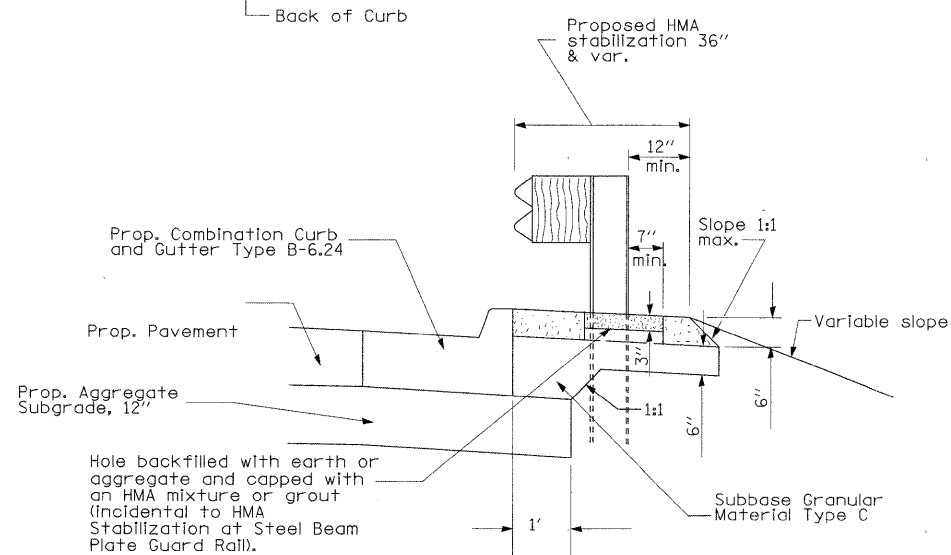
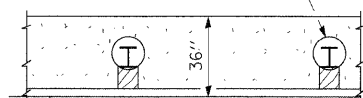
TREE PROTECTION TRUNK BOARDING DETAIL
N.T.S.

2"X10"X6'(MIN) PLANKS - NO. REQUIRED VARIES W/ SIZE OF TREE (4 MIN)
WIRE RETAINER NO 6 WIRE (MIN) WRAP AROUND BOARDS AND TWIST ENDS TOGETHER (BEND TWISTED ENDS TOWARD TREE)

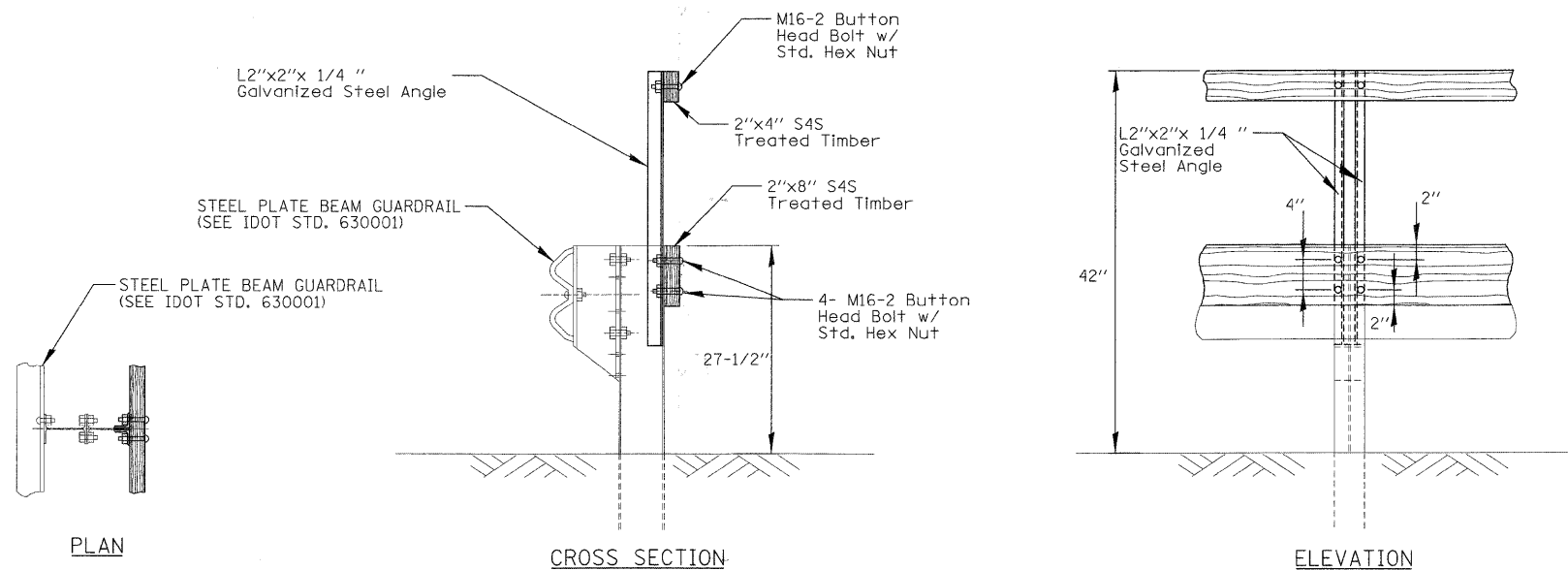


TEMPORARY FENCE DETAIL
N.T.S.

15" min. diameter round blockout or cored hole, typical for guardrail line posts (incidental to HMA Stabilization 6" at Steel Beam Plate Guard Rail).



BIT STABILIZATION 6" AT STEEL BEAM PLATE GUARD RAIL BEHIND CURB AND GUTTER DETAIL
N.T.S.



RUB RAIL DETAIL
N.T.S.

FILE NAME = DET_070793_01.SHT	USER NAME = MWDORMAN	DESIGNED - MCW	REVISED Δ ADDENDUM 4/9/09
		DRAWN - GT	REVISED -
	PLOT SCALE = 1"	CHECKED - MCW	REVISED -
	PLOT DATE = 4/9/2009	DATE - 01/16/09	REVISED -

STATE OF ILLINOIS
DEPARTMENT OF TRANSPORTATION

ROADWAY DETAILS

SCALE: NTS SHEET NO. OF SHEETS STA. TO STA.

F.A.P. RTE. 361	SECTION 06-00214-20-BR	COUNTY KANE	TOTAL SHEETS 320	SHEET NO. 96
CONTRACT NO. 63075				
FED. ROAD DIST. NO. 1 ILLINOIS FED. AID PROJECT				