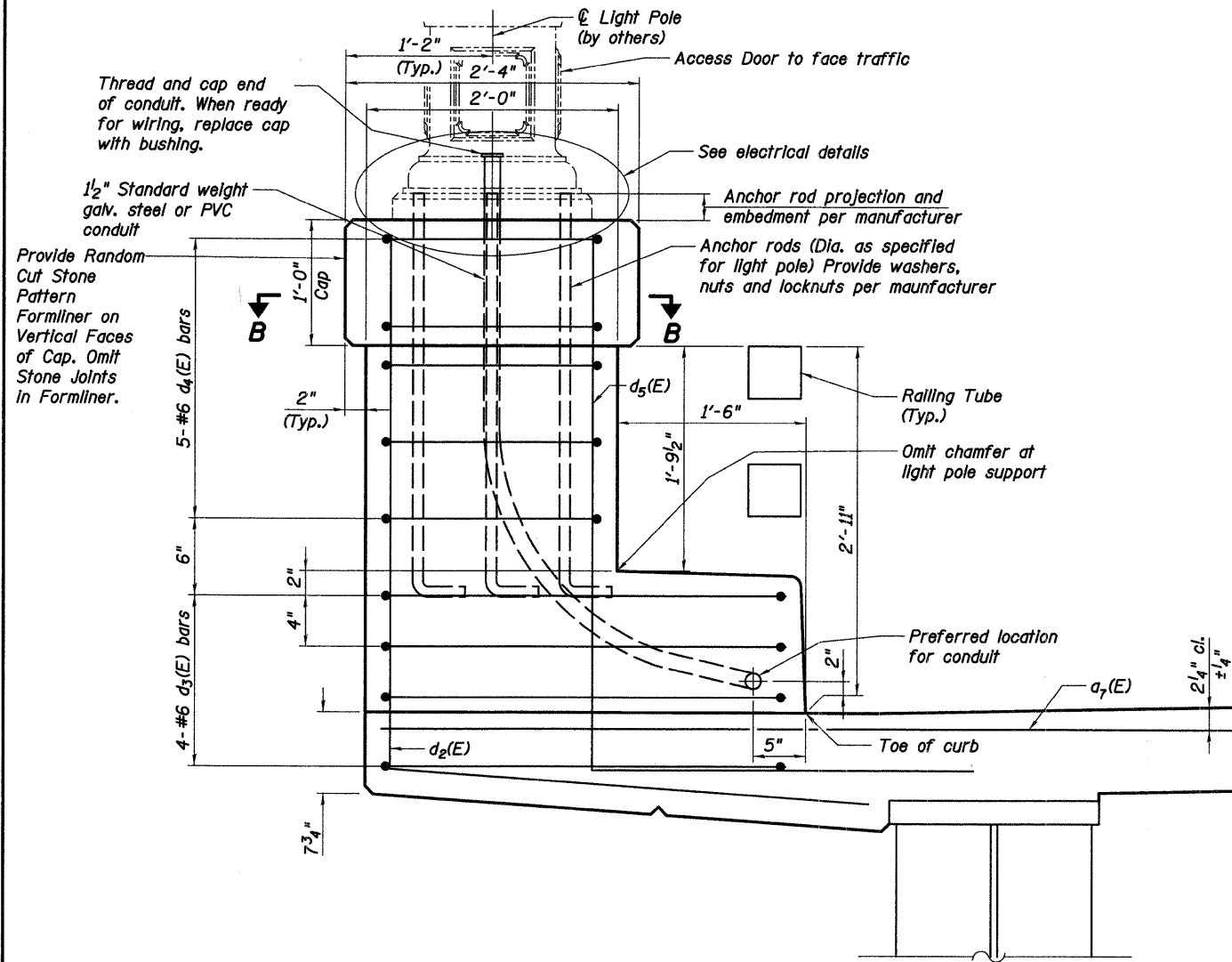
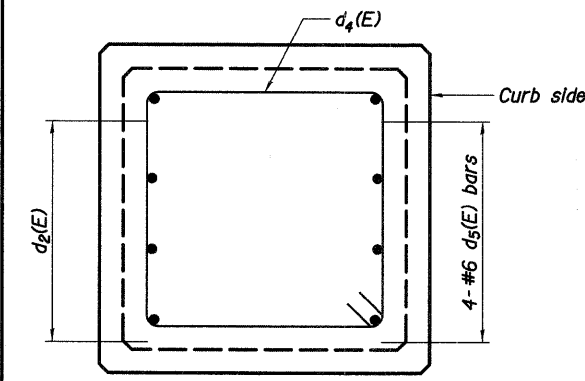


F.A.P. RTE.	SECTION	COUNTY	TOTAL SHEETS	SHEET NO.
361	06-00214-20-BR	KANE	320	125
STA. 511+80.00		TO STA. 609+14.92		
FED. ROAD DIST. NO. 7		ILLINOIS FED. AID PROJECT		
SHEET NO. S20 OF S108				

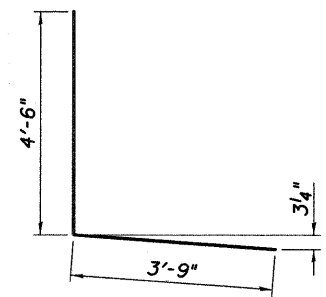


SECTION A-A

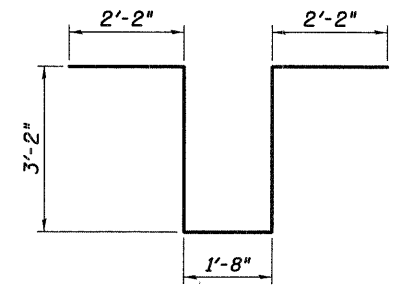


SECTION B-B

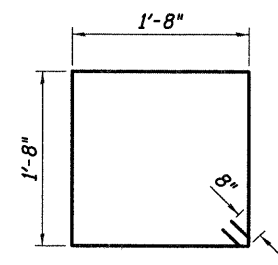
Anchor rods and conduit not shown



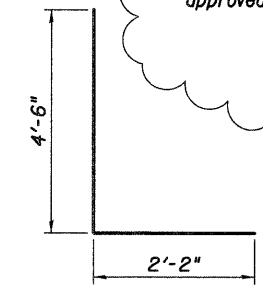
BAR d2(E)



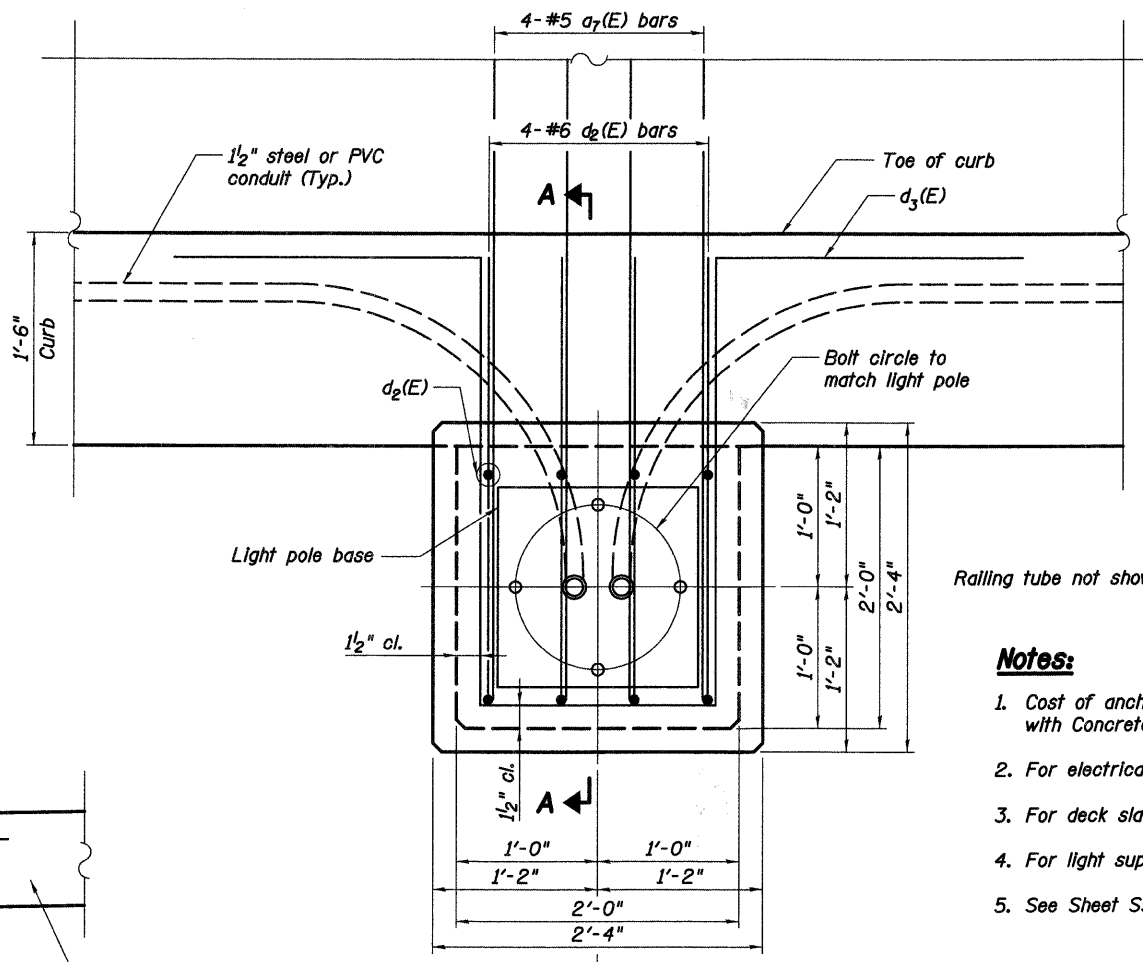
BAR d3(E)



BAR d4(E)



BAR d5(E)



PLAN

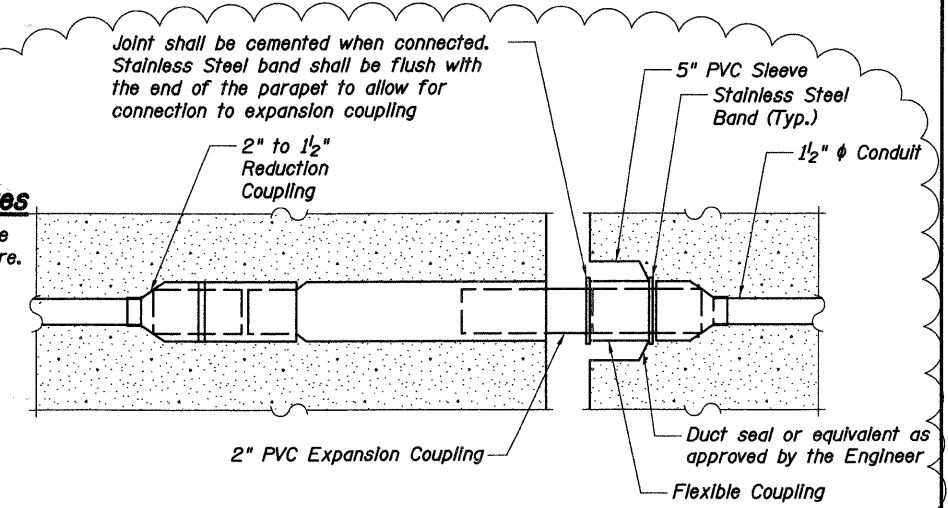
Railing tube not shown.

Notes:

1. Cost of anchor rods and conduit is included with Concrete Superstructure.
2. For electrical details see lighting plans.
3. For deck slab details see sheets S14 to S19 of S108.
4. For light support locations see sheets S14 to S18 of S108.
5. See Sheet S51 of S108 for rubbed finish details.

Conduit Expansion Joint Notes

1. Cost of all coupling materials shall be included with Concrete Superstructure.
2. All Couplings shall be watertight.
3. Expansion Coupling shall provide for a total minimum movement of 12".
4. Expansion Coupling type shall be approved by the Engineer.



EXPANSION COUPLING DETAIL FOR CONDUIT AT MODULAR JOINTS

REVISIONS	
NAME	DATE
▲ Addendum	4/9/09

ILLINOIS DEPARTMENT OF TRANSPORTATION
LIGHT SUPPORT DETAILS
 STEARNS ROAD OVER THE FOX RIVER PUBLIC
 STRUCTURE NUMBER 045-3166 WATERS
 KANE COUNTY FAP 361 SECTION 06-00214-20-BR
 STATION 571+42.96 DESIGNED: GWG DRAWN: GWG
 DATE: JANUARY 16, 2009 CHECKED: KPZ CHECKED: KPZ

Baker
 Baker Engineering, Inc.

h:\3005\3.0 phase II deliverables\3.3 structure\drawings\Final\045-3166 lightsupport.t.dgn
 4/9/2009