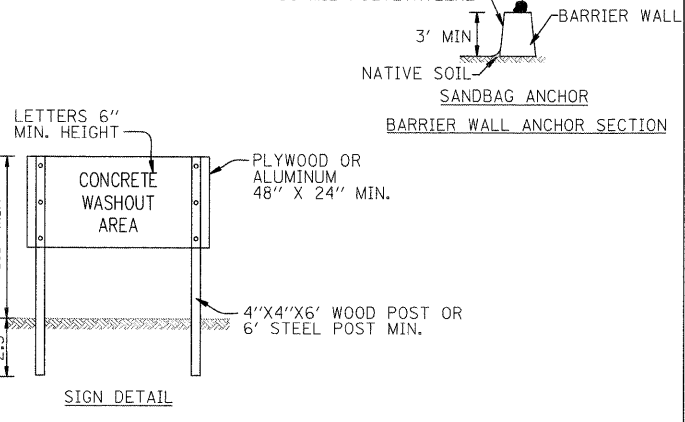
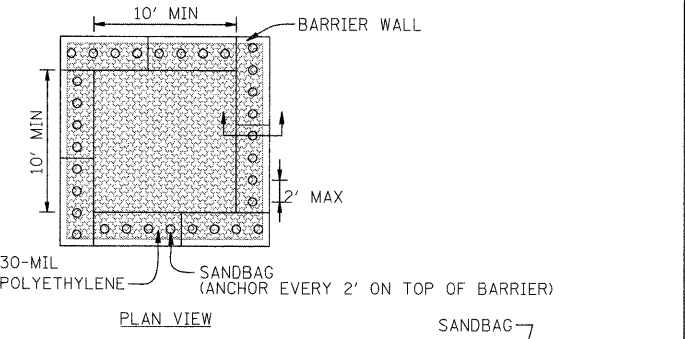


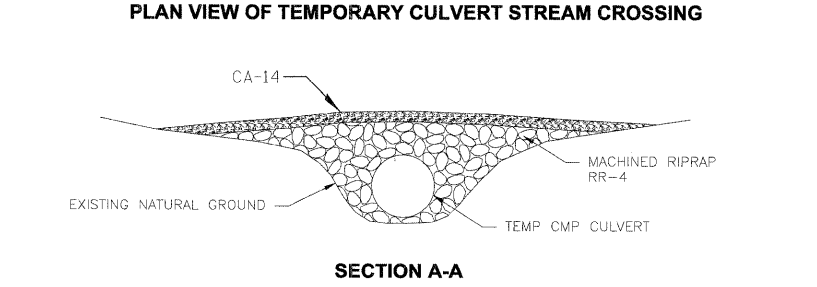
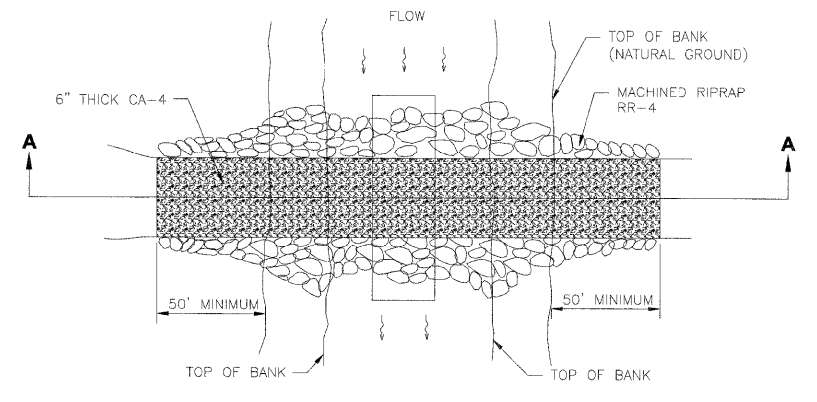
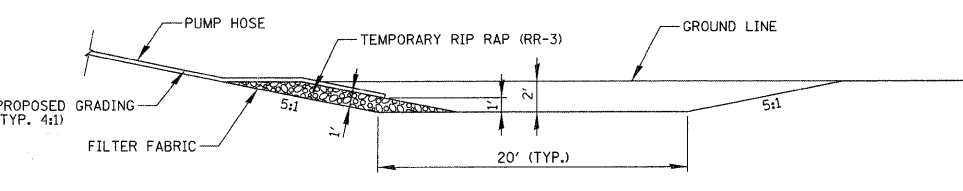
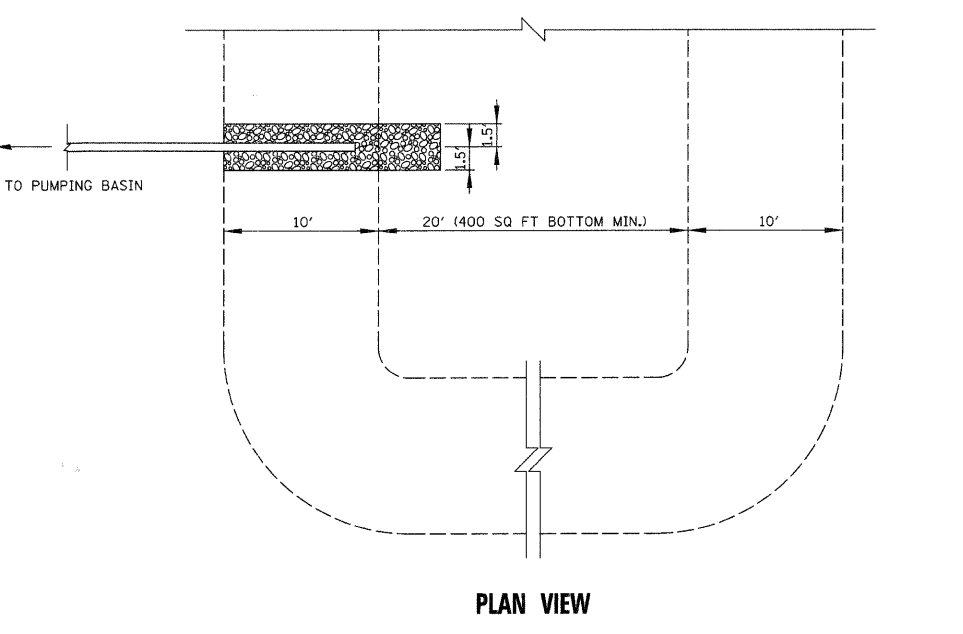
- NOTES:
1. MAINTAINING TEMPORARY CONCRETE WASHOUT FACILITIES SHALL INCLUDE REMOVING AND DISPOSING OF HARDENED CONCRETE AND/OR SLURRY AND RETURNING THE FACILITIES TO A FUNCTIONAL CONDITION.
  2. FACILITY SHALL BE CLEANED OR RECONSTRUCTED IN A NEW AREA ONCE WASHOUT BECOMES TWO-THIRDS FULL.

DESIGNED	MSK	DATE	1/16/09
DRAWN	DJV	SCALE	AS SHOWN
CHECKED	JWW	REVISIONS	
DATE	1/16/09		

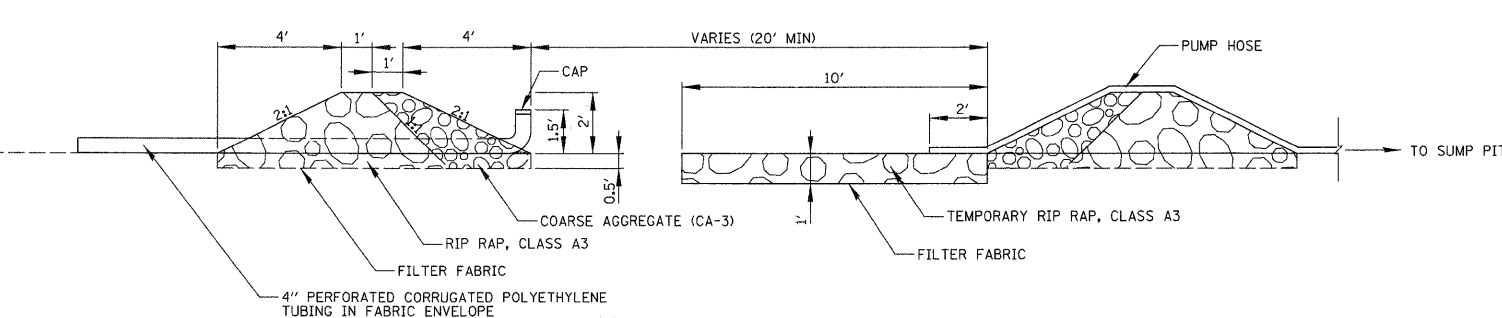
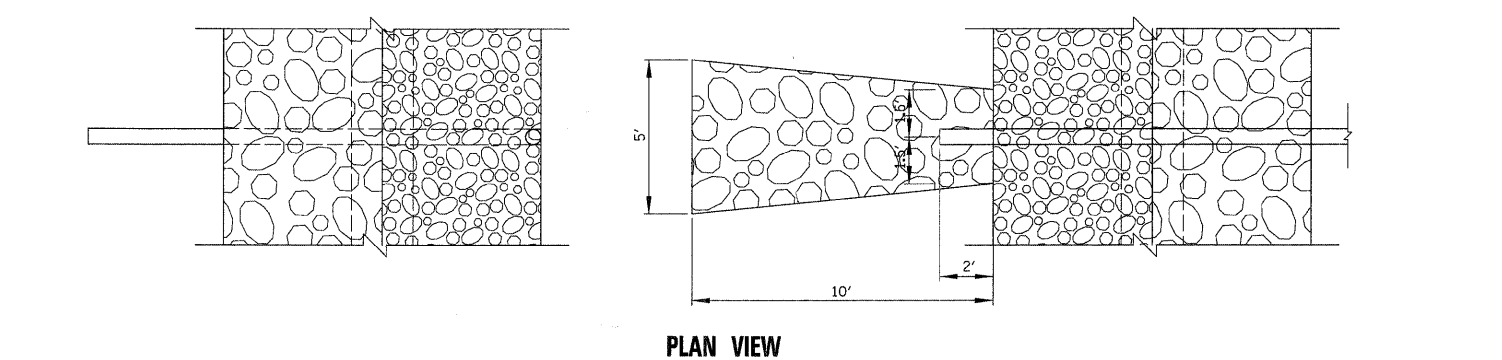


- NOTES:
1. MAINTAINING TEMPORARY CONCRETE WASHOUT FACILITIES SHALL INCLUDE REMOVING AND DISPOSING OF HARDENED CONCRETE AND/OR SLURRY AND RETURNING THE FACILITIES TO A FUNCTIONAL CONDITION.
  2. FACILITY SHALL BE CLEANED OR RECONSTRUCTED IN A NEW AREA ONCE WASHOUT BECOMES TWO-THIRDS FULL.

DESIGNED	MSK	DATE	1/16/09
DRAWN	DJV	SCALE	AS SHOWN
CHECKED	JWW	REVISIONS	
DATE	1/16/09		



TEMPORARY STREAM CROSSING N.T.S.



SECTION TEMPORARY PUMPING BASIN DETAIL

FILE NAME = ECP\_070793\_DETAILS\_02.SHT

USER NAME = davismond  
 PLOT SCALE = 5/8"  
 PLOT DATE = 1/14/2009

DESIGNED - MSK  
 DRAWN - DJV  
 CHECKED - JWW  
 DATE - 1/16/09

REVISED -  
 REVISED -  
 REVISED -  
 REVISED -

STATE OF ILLINOIS  
 DEPARTMENT OF TRANSPORTATION

STEARNS ROAD  
 EROSION AND SEDIMENT CONTROL DETAILS

SCALE: NTS SHEET NO. 7 OF 7 SHEETS STA. TO STA.

F.A.P. RTE.	SECTION	COUNTY	TOTAL SHEETS	SHEET NO.
361	06-00214-20-BR	KANE	320	58
CONTRACT NO.				

FED. ROAD DIST. NO. ILLINOIS FED. AID PROJECT