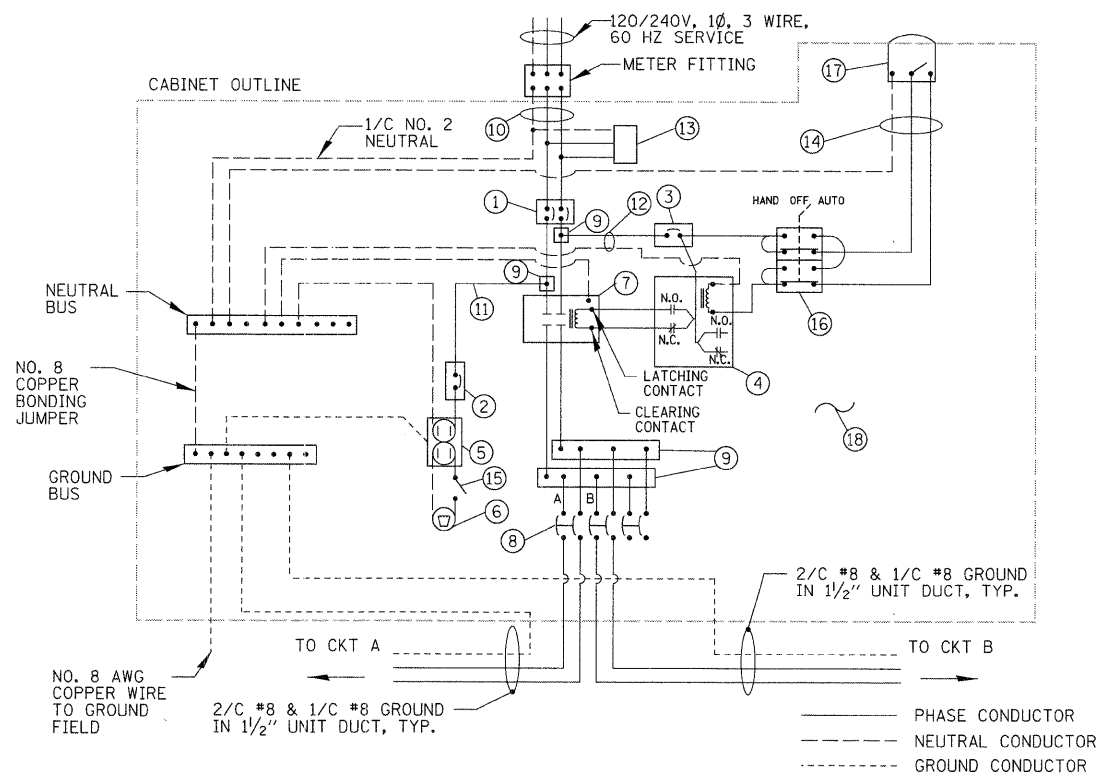


ITEM	SPECIFICATION	MANUFACTURER/MODEL NO. OR EQUAL
1	MAIN CIRCUIT BREAKER	100 AMPERE, 2P, 240V SERVICE RATING, 10KAIC
2	LAMPHOLDER CIRCUIT BREAKER	20 AMPERE, 1P, 120V RATING, 10KAIC
3	PHOTOELECTRIC CONTROL CIRCUIT BREAKER	15 AMPERE, 1P, 120V RATING, 10KAIC
4	AUXILIARY RELAY	120 V OPERATED DPDT 60 HZ COIL 2 NO & 2 NC CONTACTS
5	CABINET RECEPTACLE AND BOX	COMMERCIAL GRADE GFCI 20A/120V, MOUNTED IN A WEATHERPROOF CAST ALUMINUM SINGLE GANG BOX WITH WEATHERPROOF COVER
6	CABINET LIGHT AND BOX	120V WEATHERPROOF LAMPHOLDER MOUNTED IN A CAST ALUMINUM BOX & EXT. GRADE 100W LAMP
7	CONTACTOR	100 AMPERE, 2 POLE, 120 V COIL, MECH HELD
8	BRANCH LINE CIRCUIT BREAKERS	3 - 20 AMPERE, 2P, 240V RATING, 10KAIC
9	POWER DISTRIBUTION BLOCK	600 VOLT, INSULATED, SIZE AS REQUIRED
10	SERVICE CABLES	3-600V (XLP-TYPE USE) NO. 2
11	LAMPHOLDER WIRE	2-600V XLP NO. 12
12	CONTROL WIRE	2-600V XLP NO. 12
13	SURGE ARRESTOR	10 K AMPERE RATING
14	PHOTOELECTRIC CONTROL WIRE	3-600V XLP NO. 12
15	DOOR SWITCH	20A/120V, DOOR MOUNTED SNAP ACTION TYPE PLUNGER SWITCH
16	HAND-AUTO-OFF CONTROL SWITCH	20 A, 3 POS. MTD IN CAST ALUM. ENCLOSURE
17	PHOTOCELL	120V, MTD. ON CABINET, DELAY TYPE, SPST-NC
18	BACK BOARD	1/2" THICK EQUIPMENT MOUNTING PANEL

**NOTES:**

- ALL ITEMS LISTED IN LIGHTING CONTROLLER COMPONENT SCHEDULE SHALL BE CONSIDERED INCIDENTAL TO THE PRICE BID FOR "LIGHTING CONTROLLER" INCLUDING CABINET AND FOUNDATION.
- THE LIGHTING CONTROLLER TOGETHER WITH ALL OF ITS COMPONENTS SHALL BE UL LISTED AS AN "ENCLOSED INDUSTRIAL CONTROL PANEL" UNDER UL508A, AND SHALL MANUFACTURED BY EXCEL LTD., OR APPROVED EQUAL.
- CONNECTION OF SURGE ARRESTOR TO LINE SIDE OF MAIN CIRCUIT BREAKER SHALL NOT BE "DOUBLE LUGGED."

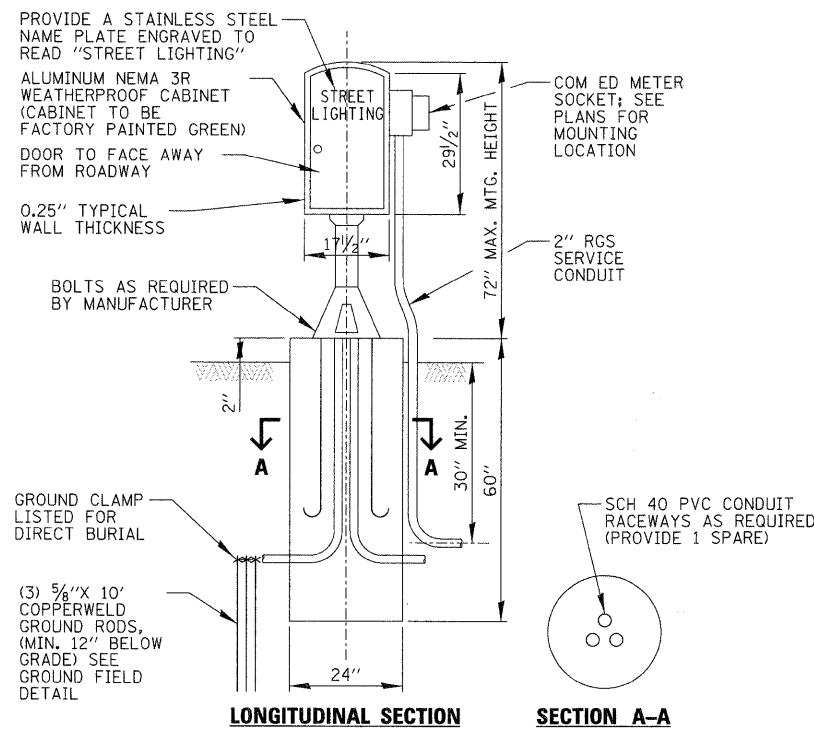
**LIGHTING CONTROLLER COMPONENT SCHEDULE**



**LIGHTING CONTROLLER WIRING DETAIL**  
N.T.S.

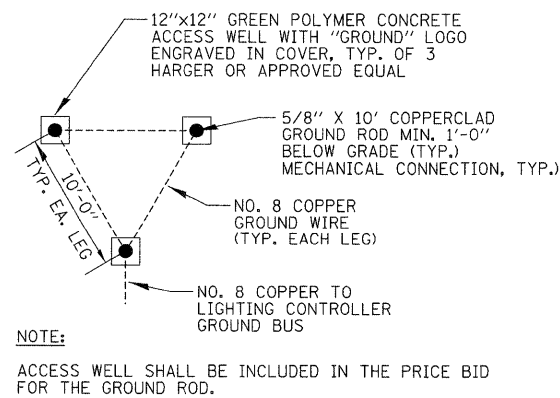
CIRCUIT ID	50 W LUMINAIRES	LOAD (WATTS)	TOTAL CIRCUIT LOAD (WATTS)
A	6	96 W	576 W
B	6	96 W	576 W
TOTAL	12	-	1,152 W

**LIGHTING CONTROLLER CIRCUIT LOADS**



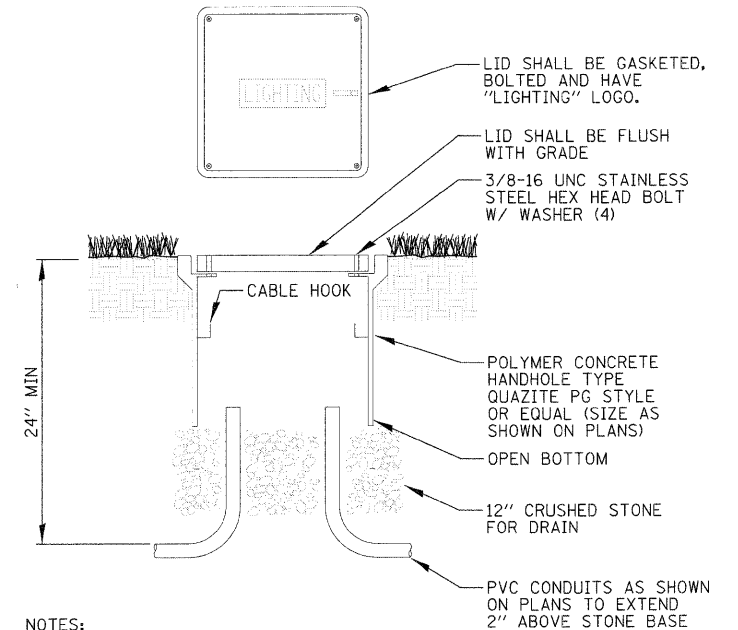
NOTE: ALL ITEMS SHOWN ABOVE INCLUDING FOUNDATION SHALL BE INCLUDED IN THE PRICE BID FOR "LIGHTING CONTROLLER" EXCEPT FOR THE SERVICE CONDUIT/CABLES AND GROUND RODS.

**LIGHTING CONTROLLER CABINET AND FOUNDATION**  
N.T.S.



NOTE: ACCESS WELL SHALL BE INCLUDED IN THE PRICE BID FOR THE GROUND ROD.

**GROUND FIELD DETAIL (TYP.)**  
N.T.S.

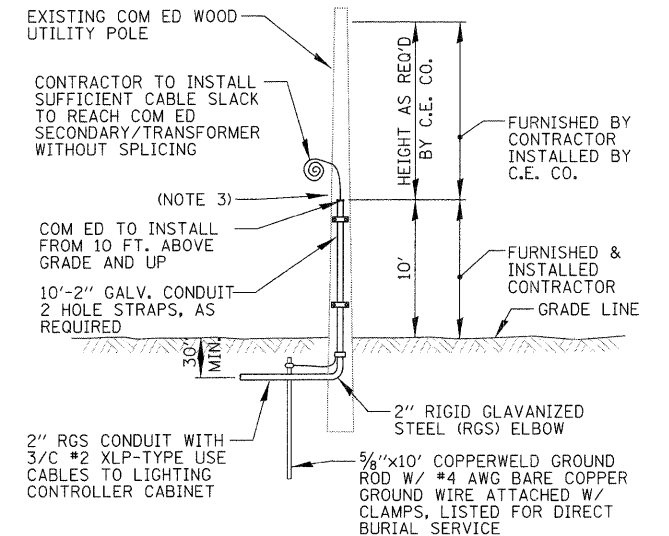


**NOTES:**

- NO SPLICES ALLOWED IN CONCRETE HANDHOLES.
- POLYMER CONCRETE HANDHOLE AND LID SHALL BE GREEN IN LANDSCAPED AREAS AND MATCH COLOR IN CONCRETE/BRICK AREAS.

**POLYMER CONCRETE HANDHOLE (LIGHTING)**

N.T.S.



**NOTES:**

- ALL WORK SHALL CONFORM TO COM ED'S BOOK OF "INFORMATION AND REQUIREMENTS FOR THE SUPPLY OF ELECTRIC SERVICE."
- FURNISHING AND INSTALLING ALL MATERIAL SHOWN ABOVE (EXCEPT FOR POLE) SHALL BE INCLUDED IN THE PRICE BID FOR "ELECTRIC SERVICE INSTALLATION". THE HORIZONTAL SERVICE CONDUIT AND WIRING FROM POLE TO CONTROLLER SHALL BE PAID FOR SEPARATELY.
- CONTRACTOR TO PROVIDE A CONDUIT BUSHING AND SEALING COMPOUND AT TOP OF RISER.

**COM ED OVERHEAD CONNECTION POLE**  
N.T.S.