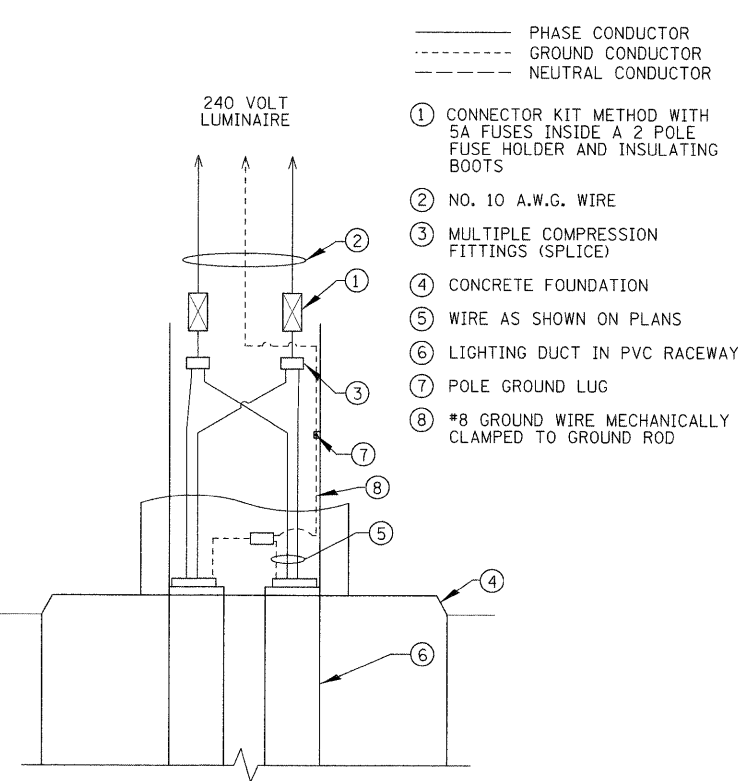
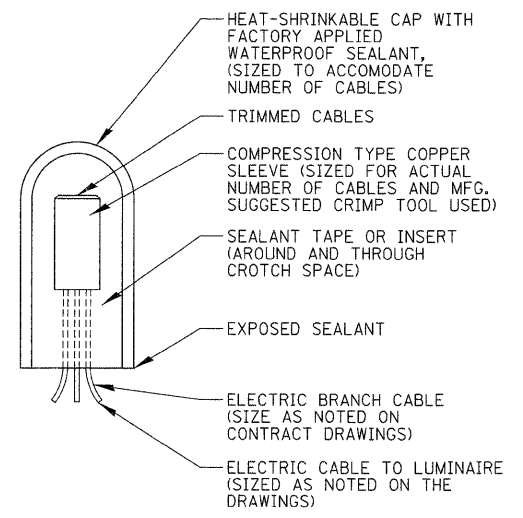


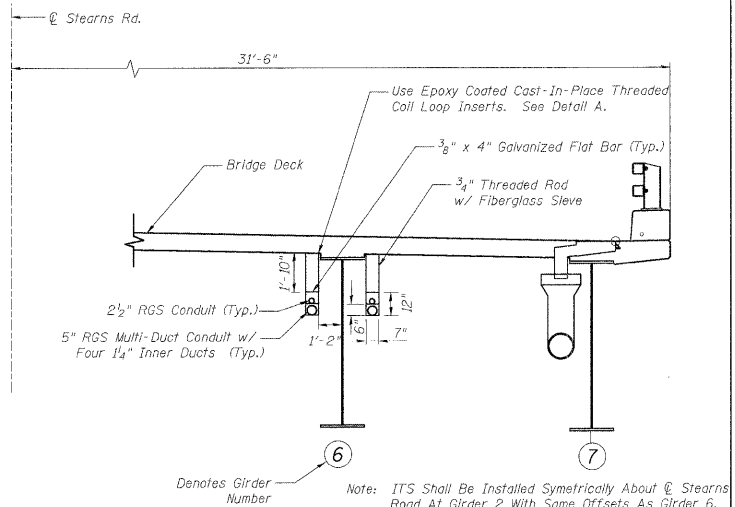
**ORNAMENTAL LIGHT POLE DETAIL**  
N.T.S.



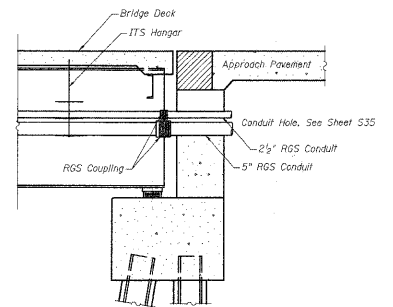
**POLE HANDHOLE WIRING DIAGRAM**  
N.T.S.



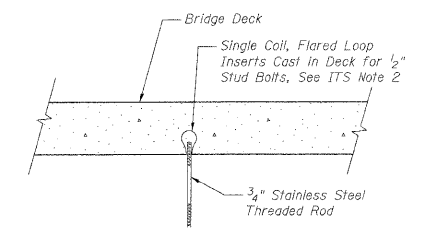
**SPLICING ELECTRIC CABLE**  
N.T.S.



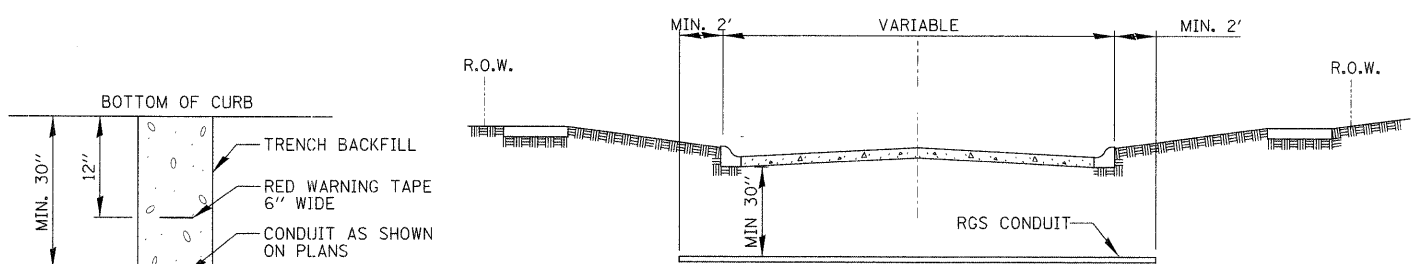
**TYPICAL ITS CONDUIT SUPPORT ATTACHED TO BRIDGE DECK DETAIL**  
N.T.S. (LOOKING UPSTATION)



**TYPICAL CONDUIT INSTALLATION THROUGH ABUTMENT WALL**



**DETAIL A  
THREADED ROD INSTALLATION**  
N.T.S.

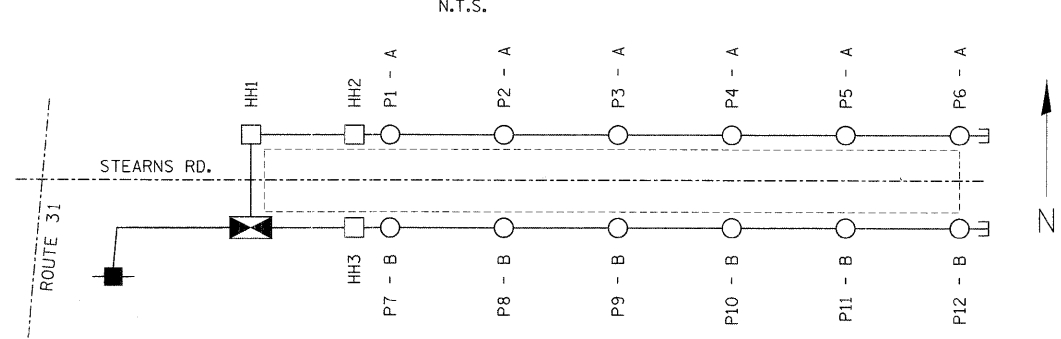


- ① CONDUIT SHALL BE HEAVY WALL RGS CONDUIT.
- ② CONDUIT SHALL EXTEND A MINIMUM OF 2 FT. BEYOND BACK OF CURB.
- ③ CONDUIT SHALL BE A MINIMUM OF 30" BELOW CURB BOTTOM.

**TRENCH SECTION**

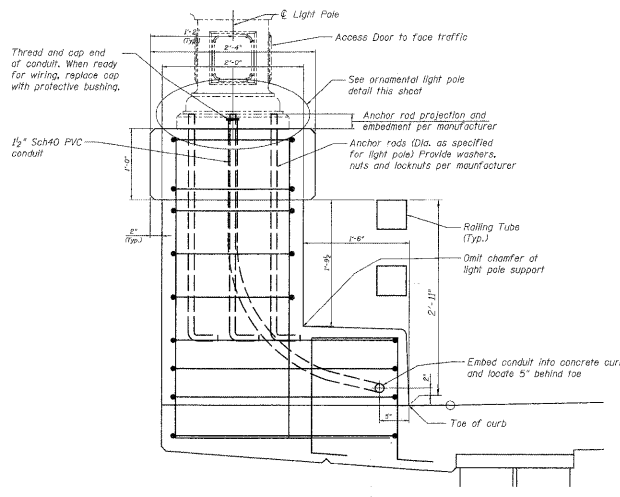
**STREET CROSSING**

**ELECTRIC CONDUIT DETAIL**  
N.T.S.

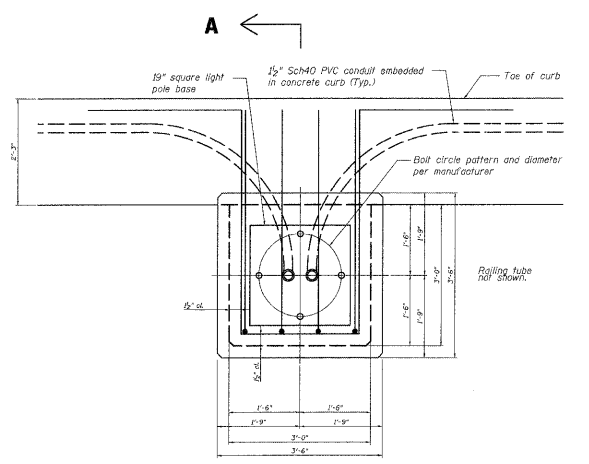


**LIGHTING ONE LINE CIRCUIT DIAGRAM**  
N.T.S.

- LEGEND**
- LIGHTPOLE
  - ELECTRIC LINE
  - ⊠ LIGHTING CONTROLLER
  - HANDHOLE
  - PROP. ELECT. SERVICE
  - P5 - A POLE NUMBER
  - LUMINAIRE CIRCUIT
  - - - ROADWAY
  - - - BRIDGE OUTLINE



**CROSS SECTION A-A**



**PLAN VIEW**

- NOTES:**
1. THE COST OF ALL LIGHT POLE ANCHOR RODS AND ALL CONDUIT EMBEDDED IN CONCRETE SHALL BE INCLUDED IN THE CONCRETE SUPERSTRUCTURE.
  2. SEE STRUCTURAL DRAWINGS FOR MORE INFORMATION.

**LIGHT POLE SUPPORT AND EMBEDDED CONDUIT DETAIL**  
N.T.S.

FILE NAME = LDT\_070793-02.pln

USER NAME = GT:INE  
 PLOT SCALE = 3/8"  
 PLOT DATE = 2/10/2009

DESIGNED AJD  
 DRAWN KWB  
 CHECKED AJD  
 DATE 01/16/09

REVISED -  
 REVISED -  
 REVISED -  
 REVISED -

**STATE OF ILLINOIS  
 DEPARTMENT OF TRANSPORTATION**

**STEARNS ROAD BRIDGE  
 LIGHTING / ITS DETAILS (2 OF 2)**

SCALE: 1" = 30' SHEET NO. OF SHEETS STA. TO STA.

F.A.P. RTE.	SECTION	COUNTY	TOTAL SHEETS	SHEET NO.
361	06-00214-20-BR	KANE	320	95
CONTRACT NO. 63075				
FED. ROAD DIST. NO. 1 ILLINOIS FED. AID PROJECT				