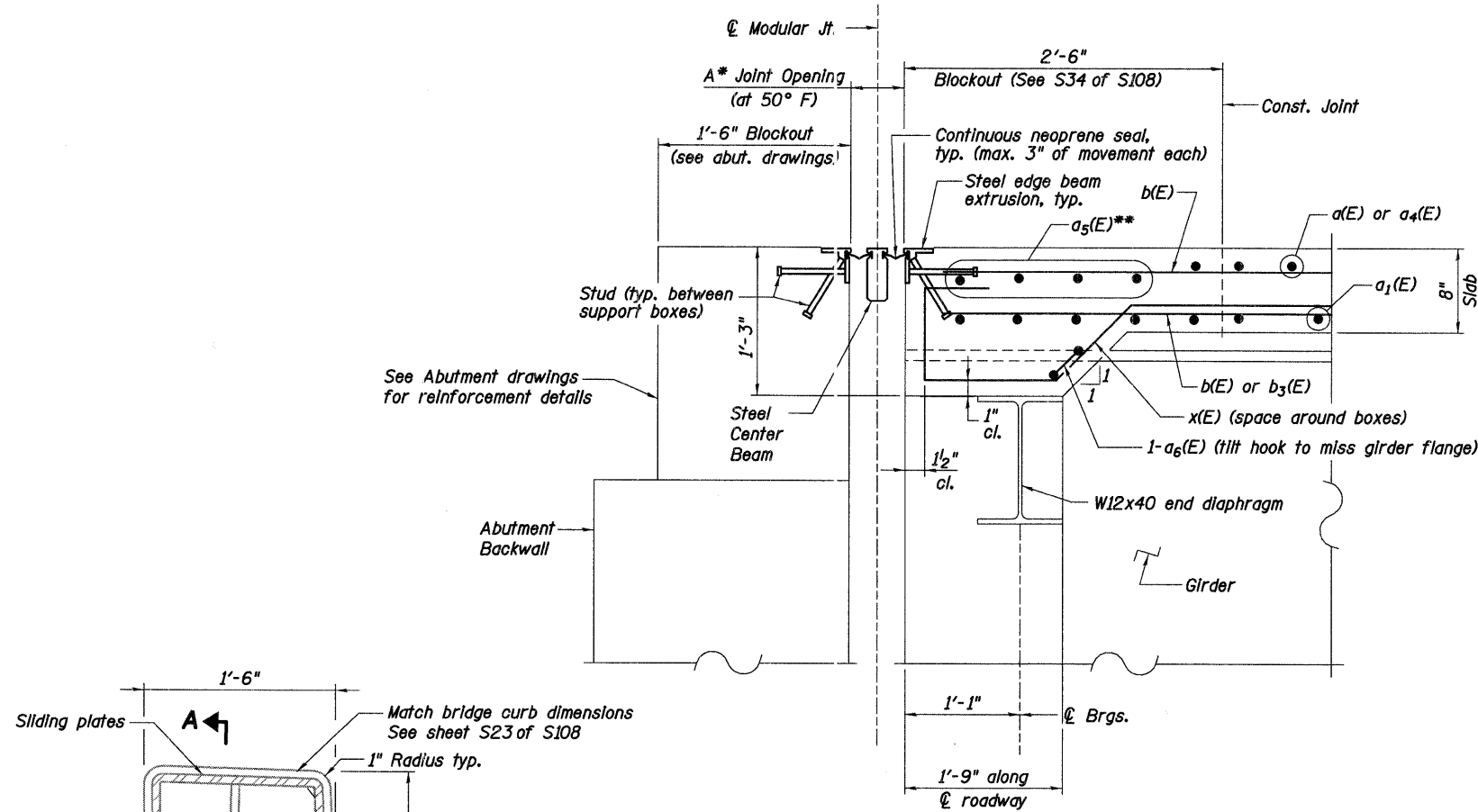
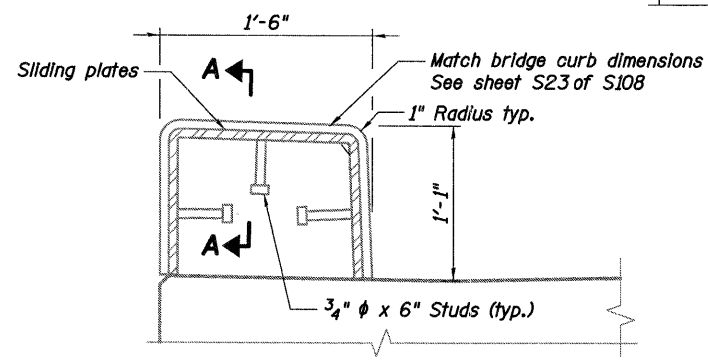


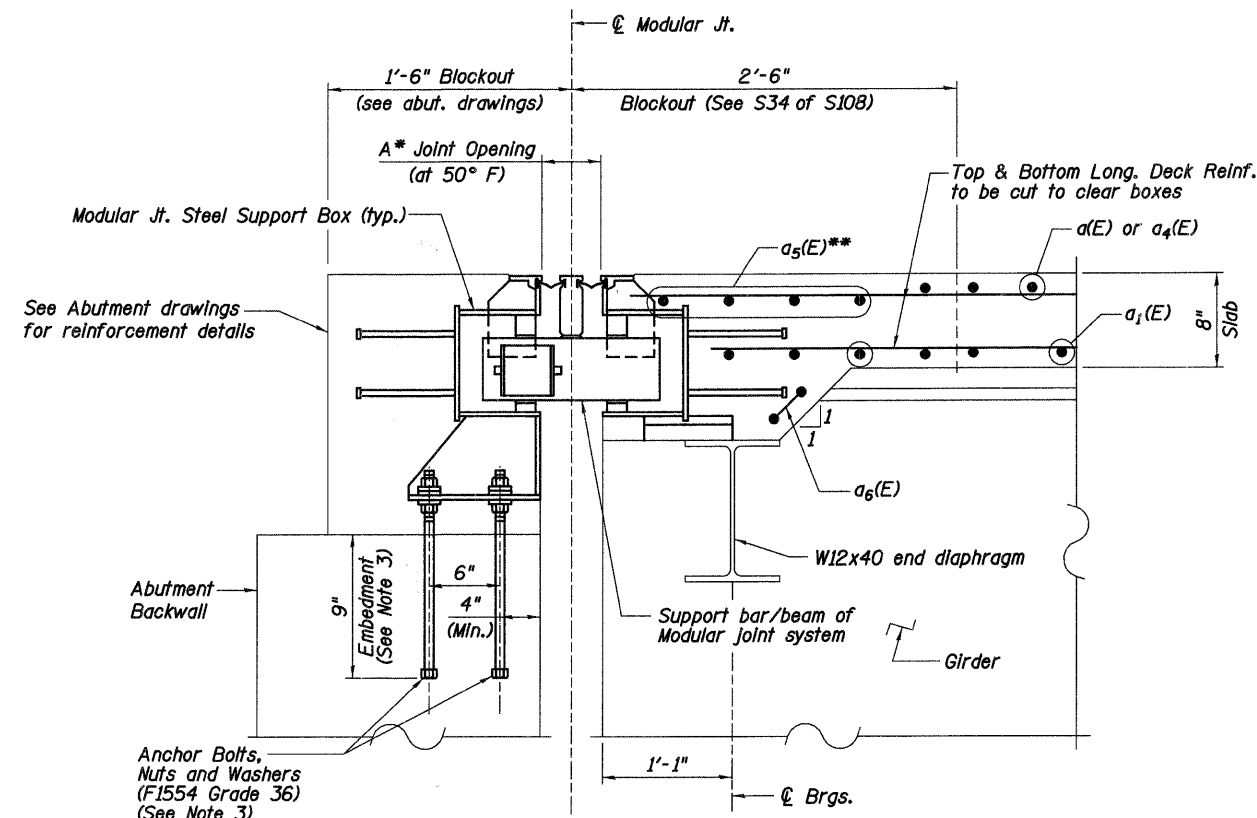
F.A.P. RTE.	SECTION	COUNTY	TOTAL SHEETS	SHEET NO.
361	06-00214-20-BR	KANE	320	126
STA. 511+80.00		TO STA. 609+14.92		
FED. ROAD DIST. NO. 7		ILLINOIS FED. AID PROJECT		
SHEET NO. S21 OF S108				



**SECTION B-B BETWEEN BOXES**

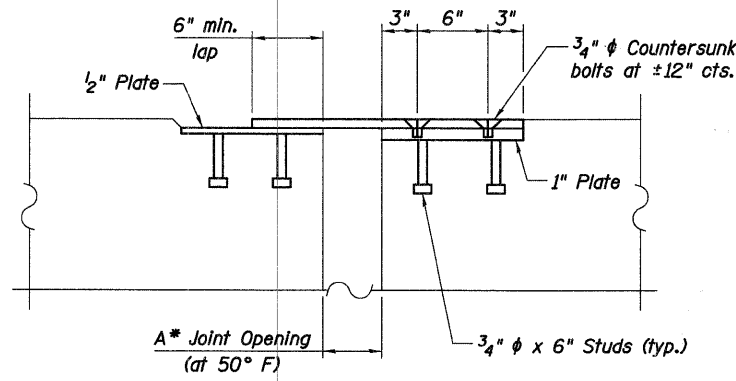


**CURB SLIDING PLATE DETAIL**



**SECTION B-B AT SUPPORT BOX**

\* Dimension 'A' varies depending upon joint manufacturer  
 A = 5 1/2" @ W. Abut. and A = 9 1/2" @ E. Abut. was assumed for deck lengths, cl. brgs. stations, etc.  
 \*\* Place under the top b(E) bars



**SECTION A-A**  
 (Typ. of Raised Median Sliding Plate Detail and Curb Sliding Plate Detail)

LOCATION	TOTAL MOVEMENT ALONG CL STEARNS RD.
W. Abut.	4 7/8"
E. Abut.	7 3/8"

- Notes:**
1. See sheet S34 of S108 for modular joint plan, elevation and additional notes.
  2. Rigidly attach modular joint support box to diaphragms and beams by adjustable brackets, stools, or shims.
  3. Anchor bolts in abutment backwall may either be cast in place or installed as holes drilled after the backwall is cast. Drill and set anchor bolts shall be installed according to Article 510.06 of the Standard Specifications. Anchor bolt locations per manufacturer's recommendations and per approval of the engineer.

REVISIONS	
NAME	DATE

ILLINOIS DEPARTMENT OF TRANSPORTATION

**DECK DETAILS**

STEARNS ROAD OVER THE FOX RIVER PUBLIC WATERS  
 STRUCTURE NUMBER 045-3166  
 KANE COUNTY FAP 361 SECTION 06-00214-20-BR  
 STATION 571+42.96 DESIGNED: DFM DRAWN: SCW  
 DATE: JANUARY 16, 2009 CHECKED: KPZ CHECKED: KPZ



h:\3005\3.0 phase 11 deliverables\3.3 structure\drawings\Final\045-3166 Deck Details.dgn 1/15/2009