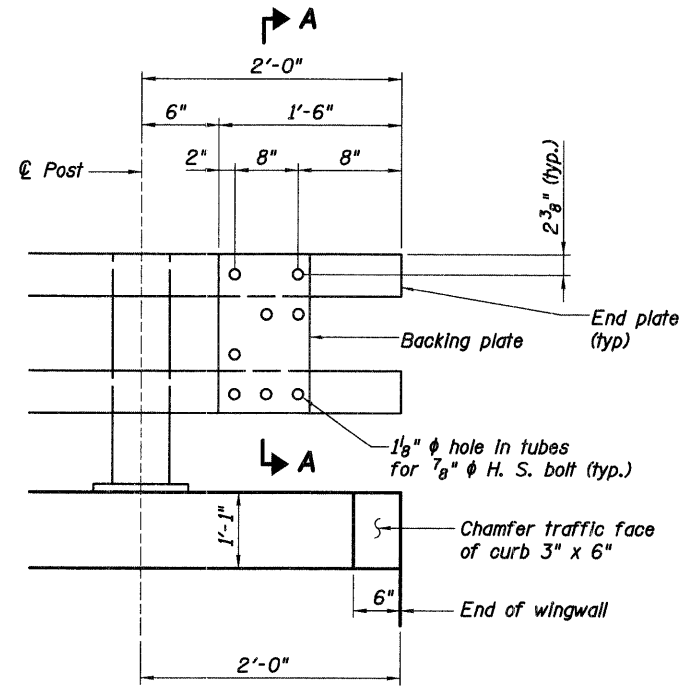
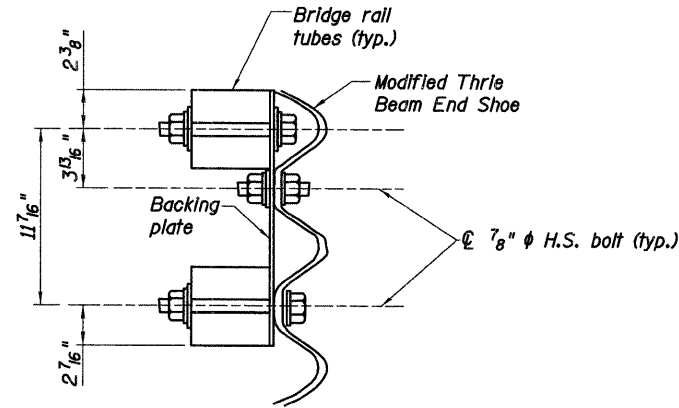


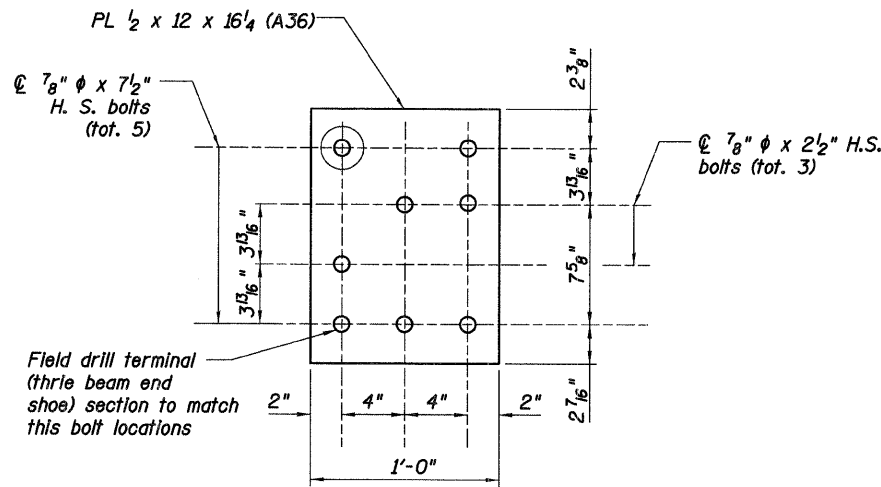
F.A.P. RTE.	SECTION	COUNTY	TOTAL SHEETS	SHEET NO.
361	06-00214-20-BR	KANE	320	129
STA. 511+80.00		TO STA. 609+14.92		
FED. ROAD DIST. NO. 7		ILLINOIS FED. AID PROJECT		
SHEET NO. S24 OF S108				



RAIL END DETAILS

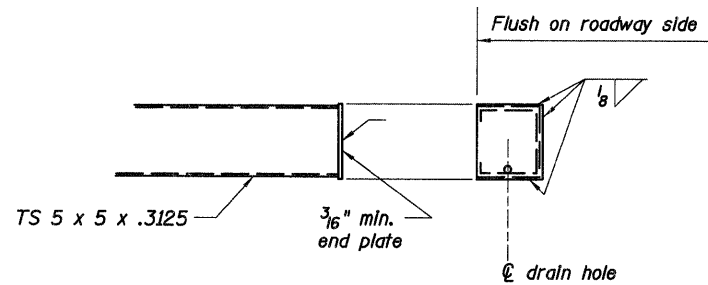


SECTION A-A



BACKING PLATE

Holes are 1/8" ϕ for 7/8" ϕ H. S. bolts with hex nuts, 2 PL washers, and 1 lock washer



END PLATE DETAIL

NOTE:

- For additional steel railing details and notes see sheet S23 of S108.

REVISIONS	
NAME	DATE

ILLINOIS DEPARTMENT OF TRANSPORTATION
STEEL RAILING DETAILS II

STEARNS ROAD PUBLIC WATERS
OVER THE FOX RIVER
STRUCTURE NUMBER 045-3166
KANE COUNTY FAP 361 SECTION 06-00214-20-BR
STATION 571+42.96 DESIGNED: DAP DRAWN: JB
DATE: JANUARY 16, 2009 CHECKED: KPZ CHECKED: KPZ

