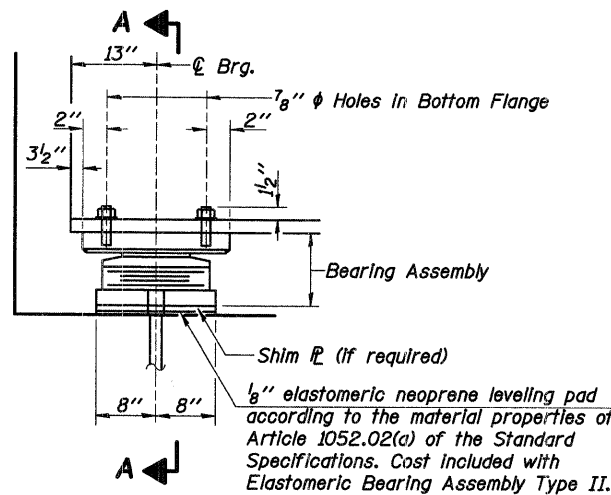


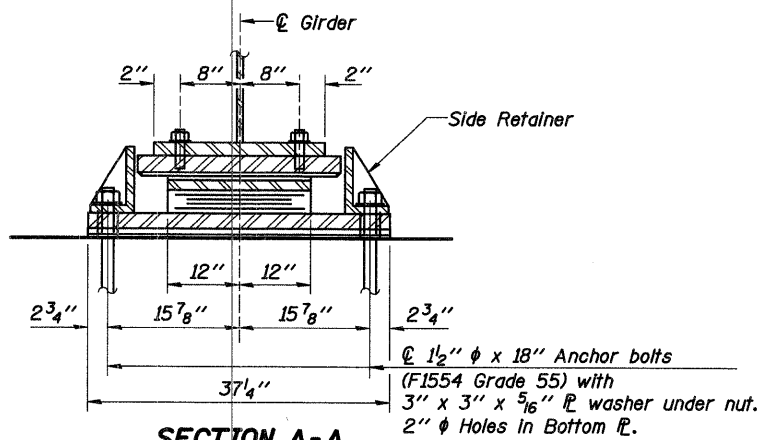
F.A.P. RTE.	SECTION	COUNTY	TOTAL SHEETS	SHEET NO.
361	06-00214-20-BR	KANE	320	137
STA. 511+80.00		TO STA. 609+14.92		
FED. ROAD DIST. NO. 7		ILLINOIS FED. AID PROJECT		
SHEET NO. S32 OF S108				



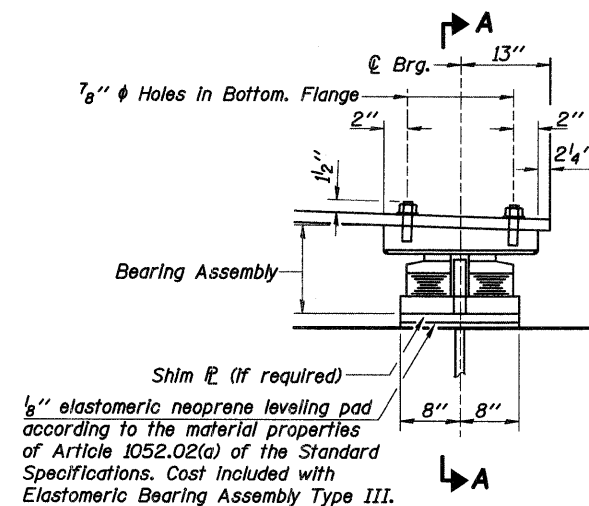
ELEVATION AT ABUT.

TYPE II ELASTOMERIC EXP. BRG.

(West Abutment - 7 required)



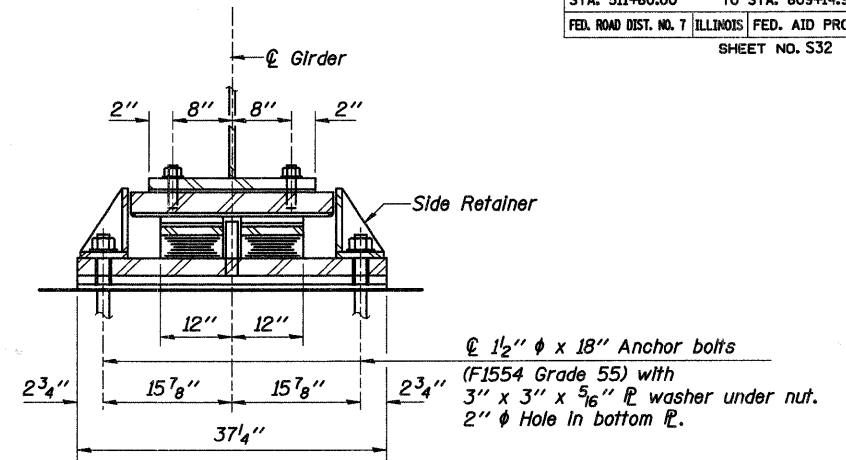
SECTION A-A



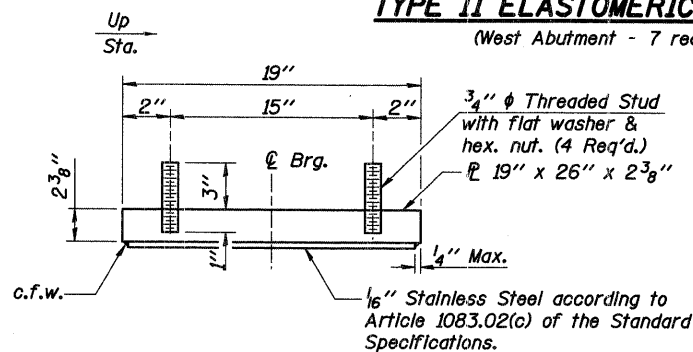
ELEVATION AT ABUT.

TYPE III ELASTOMERIC EXP. BRG.

(East Abutment - 7 required)

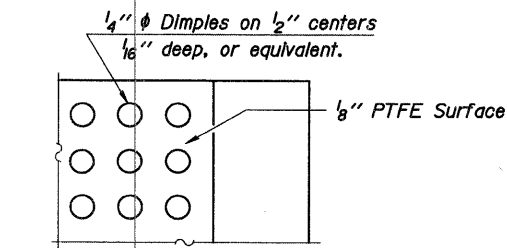


SECTION A-A



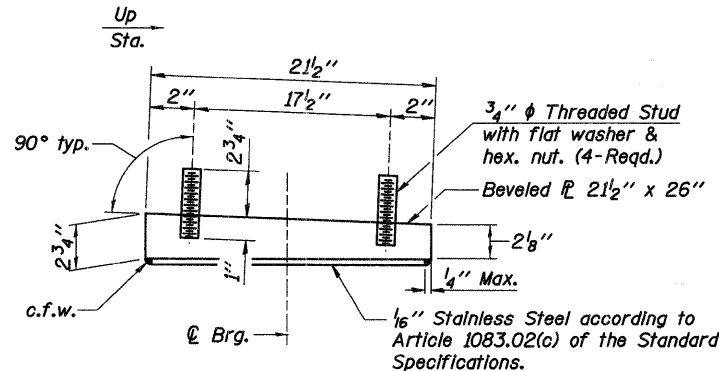
TOP BEARING ASSEMBLY

(Type II Elastomeric Exp. Brg. only)



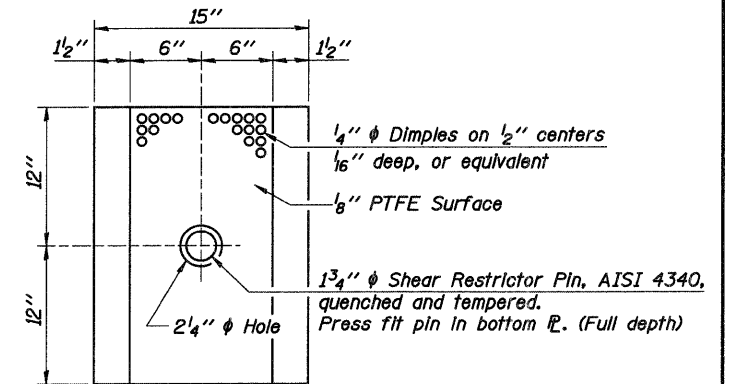
PLAN-PTFE SURFACE

(Type II Elastomeric Exp. Brg. only)



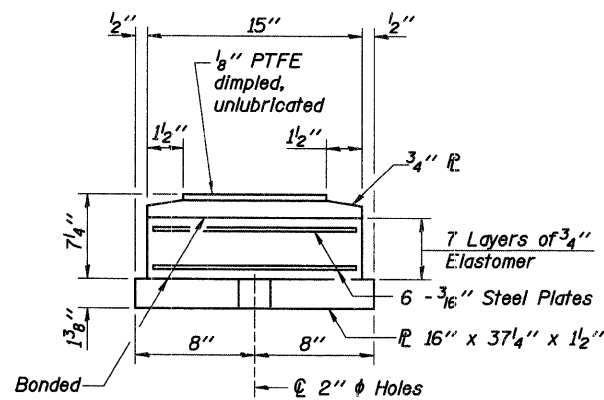
TOP BEARING ASSEMBLY

(Type III Elastomeric Exp. Brg. only)



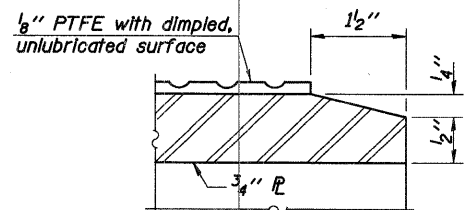
PLAN-PTFE ELASTOMERIC BRG.

(Type III Elastomeric Exp. Brg. only)

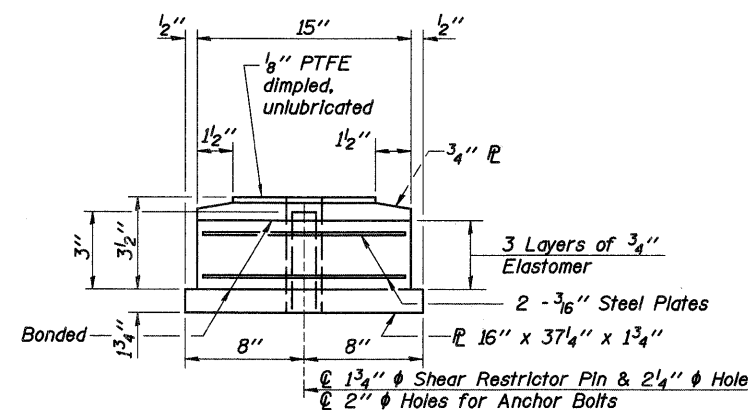


BOTTOM BEARING ASSEMBLY

(Type II Elastomeric Exp. Brg. only)

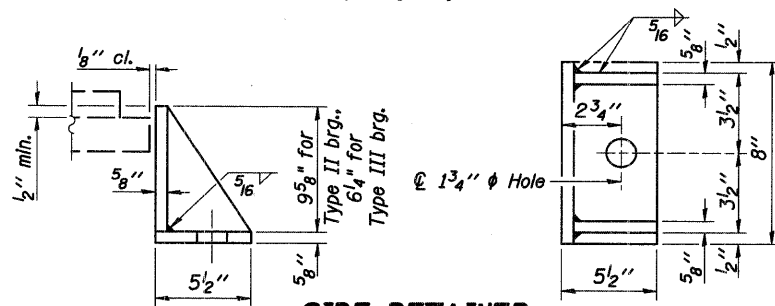


SECTION THRU PTFE



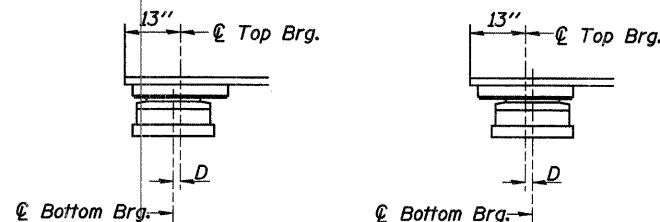
BOTTOM BEARING ASSEMBLY

(Type III Elastomeric Exp. Brg. only)



SIDE RETAINER

Equivalent rolled angle with stiffeners will be allowed in lieu of welded plates.



SETTING ANCHOR BOLTS AT EXP. BRG.

D = 1/8" per each 100' of expansion for every 15° temp. change from the normal temp. of 50°F.

Note:
1. See sheet S31 of S108 for bearing notes.

BILL OF MATERIAL

Item	Unit	Total
Elastomeric Bearing Assembly Type II	Each	7
Elastomeric Bearing Assembly Type III	Each	7
Anchor Bolts, 1 1/2"	Each	28

REVISIONS	
NAME	DATE

ILLINOIS DEPARTMENT OF TRANSPORTATION

BEARING DETAILS II

STEARNS ROAD OVER THE FOX RIVER PUBLIC WATERS
STRUCTURE NUMBER 045-3166
KANE COUNTY FAP 361 SECTION 06-00214-20-BR
STATION 571+42.96 DESIGNED: DAP DRAWN: SCW
DATE: JANUARY 16, 2009 CHECKED: KPZ CHECKED: KPZ

Baker

Baker Engineering, Inc.