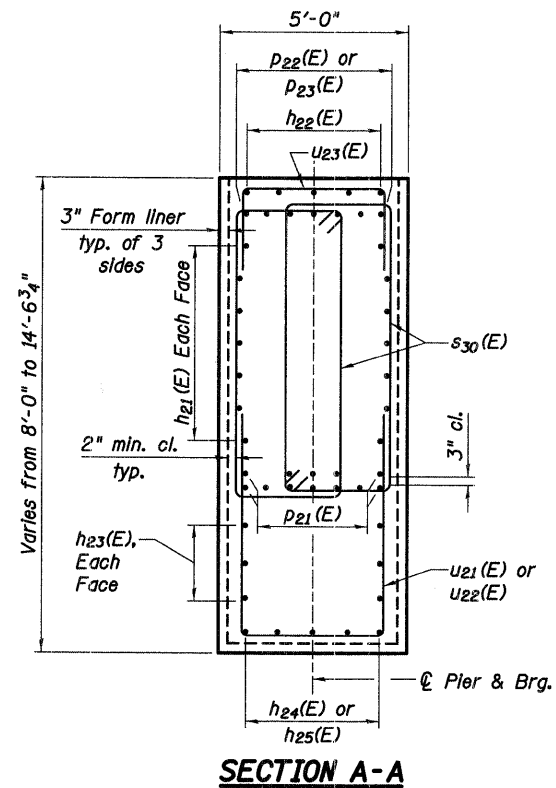
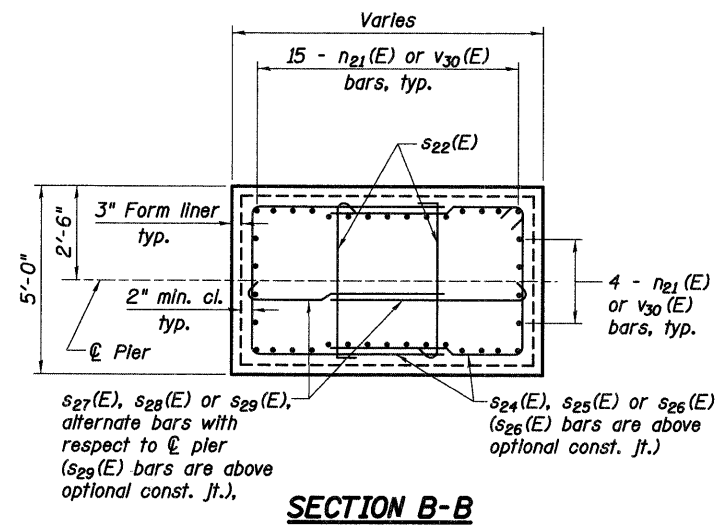


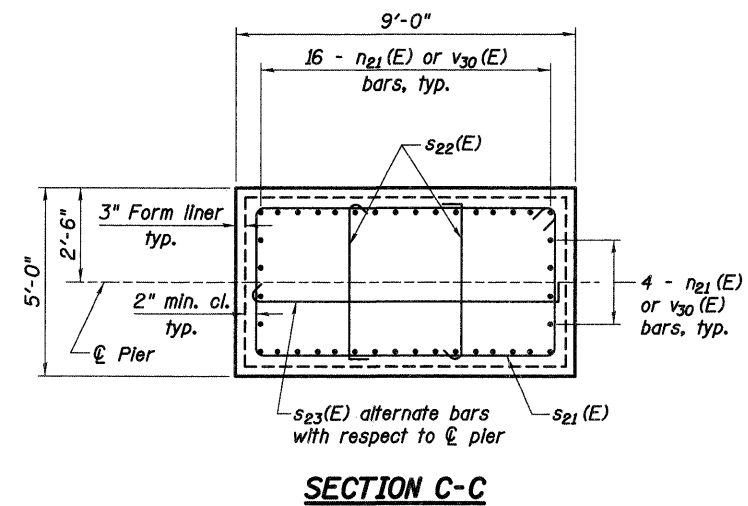
F.A.P. RTE.	SECTION	COUNTY	TOTAL SHEETS	SHEET NO.
361	06-00214-20-BR	KANE	320	151
STA. 571+80.00		TO STA. 609+14.92		
FED. ROAD DIST. NO. 7		ILLINOIS FED. AID PROJECT		
		SHEET NO. S46 OF S108		



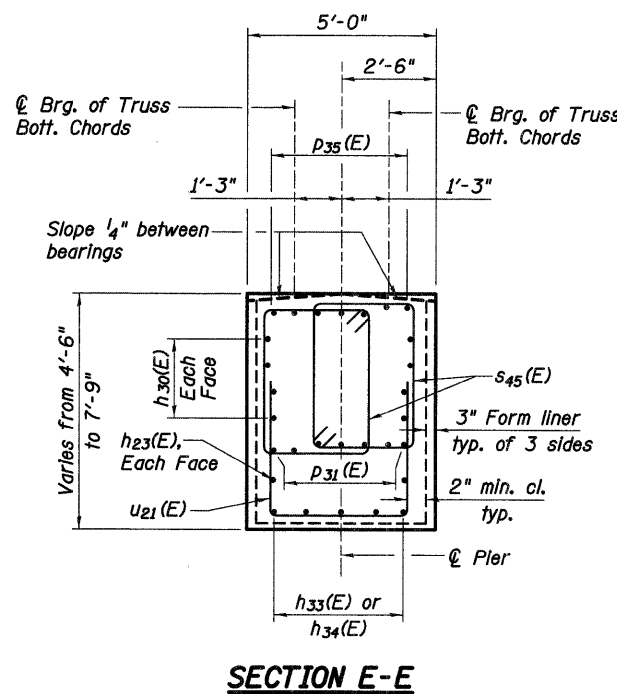
SECTION A-A



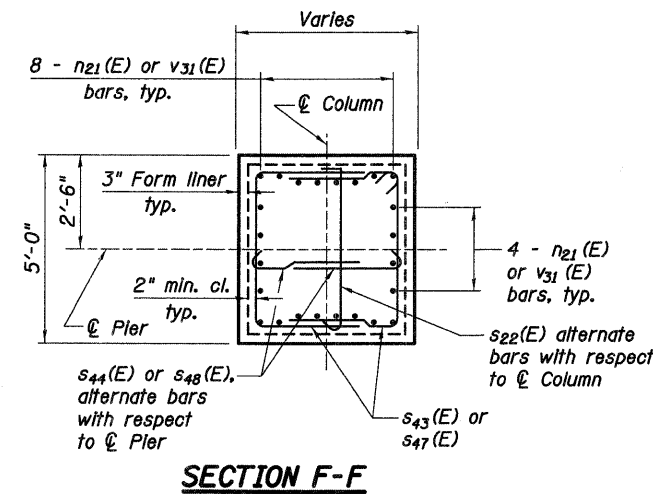
SECTION B-B



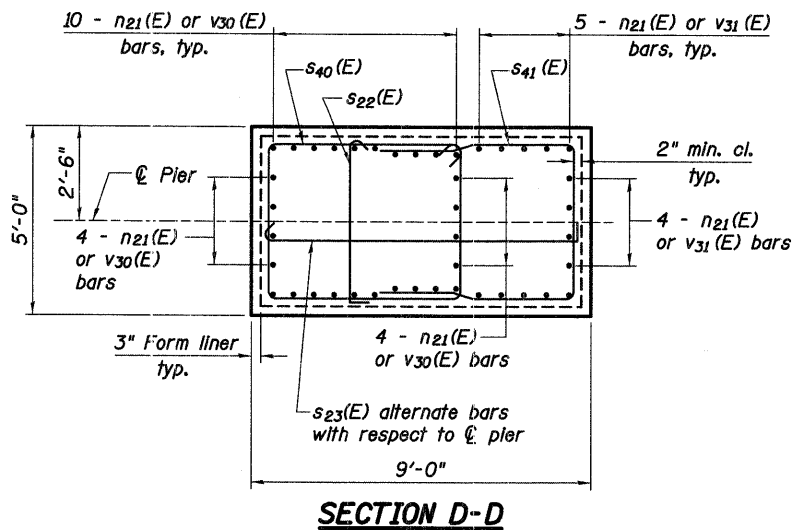
SECTION C-C



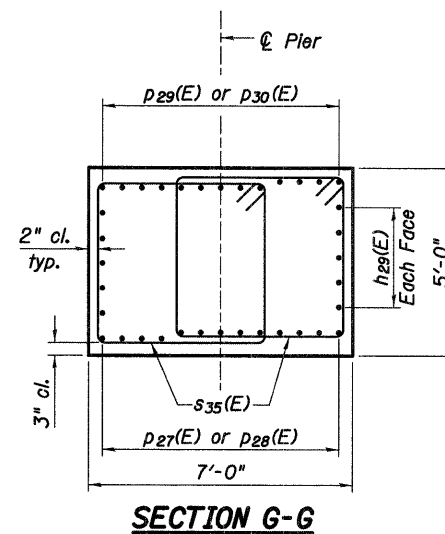
SECTION E-E



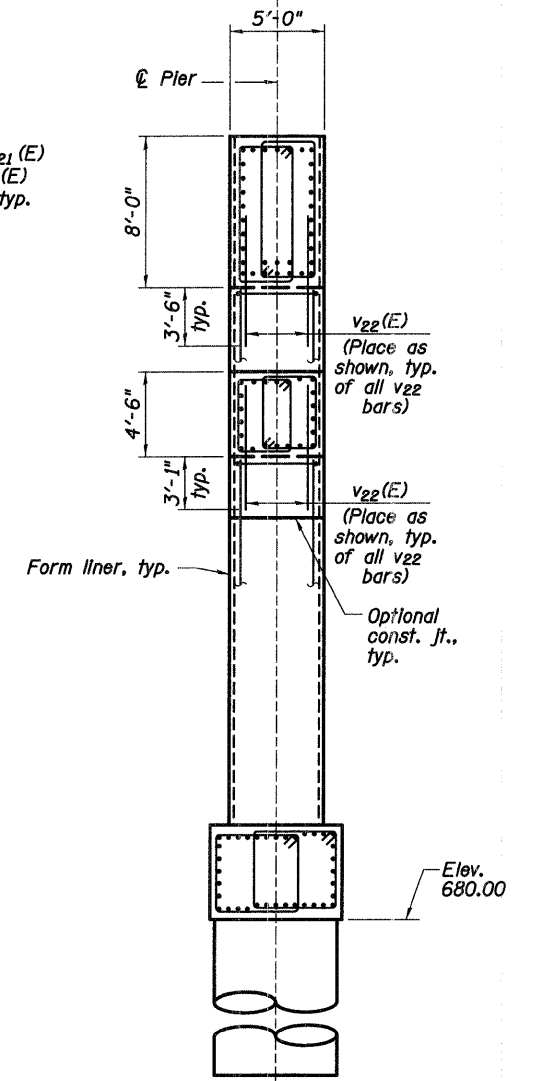
SECTION F-F



SECTION D-D



SECTION G-G



END VIEW

(Looking North, some bars are not shown for clarity)

Notes:

- For additional pier details see sheets S45 and S47 of S108.

REVISIONS	
NAME	DATE

ILLINOIS DEPARTMENT OF TRANSPORTATION

PIER 3 DETAILS II

STEARNS ROAD PUBLIC
OVER THE FOX RIVER WATERS
STRUCTURE NUMBER 045-3166
KANE COUNTY FAP 361 SECTION 06-00214-20-BR
STATION 571+42.96 DESIGNED: DAP DRAWN: SGW
DATE: JANUARY 16, 2009 CHECKED: KPZ CHECKED: KPZ

Baker

Baker Engineering, Inc.