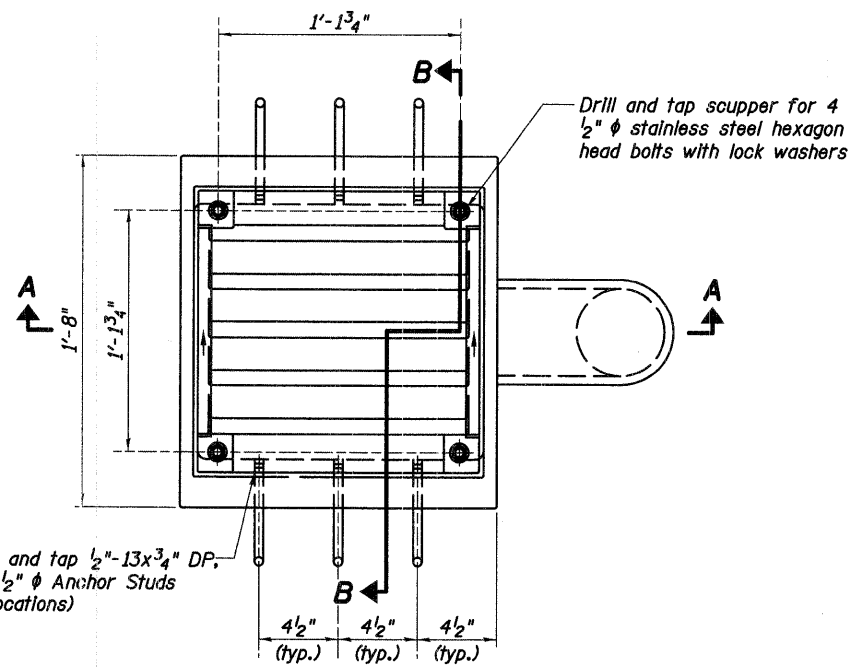
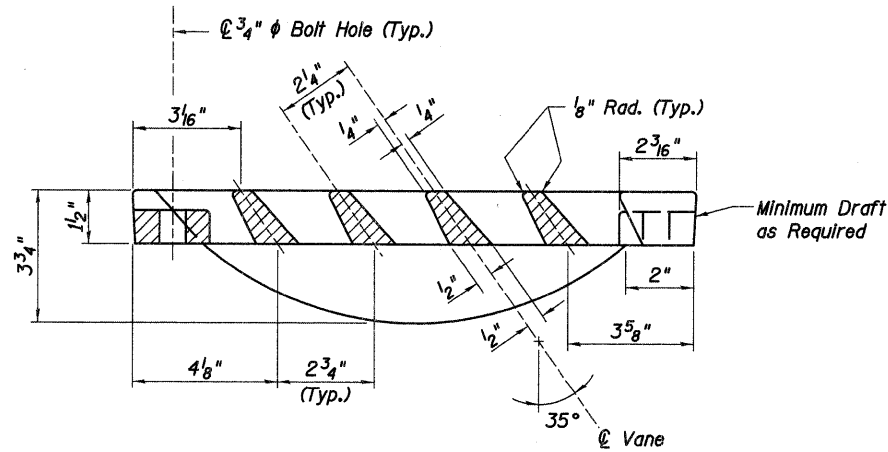


F.A.P. RTE.	SECTION	COUNTY	TOTAL SHEETS	SHEET NO.
361	06-00214-20-BR	KANE	320	160
STA. 511+80.00		TO STA. 609+14.92		
FED. ROAD DIST. NO. 7		ILLINOIS FED. AID PROJECT		
SHEET NO. S55 OF S108				

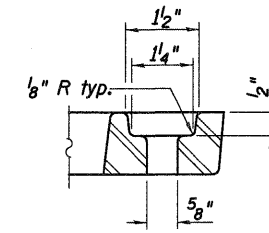


**PLAN**

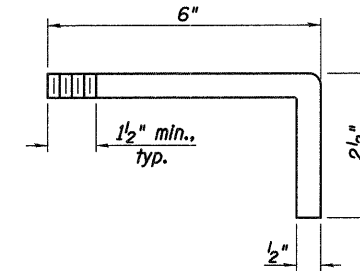
(Showing scuppers on north side of bridge. South side scuppers are mirrored about vertical axis to locate downspout clear of Girder 7.)



**VANE GRATE DETAIL**



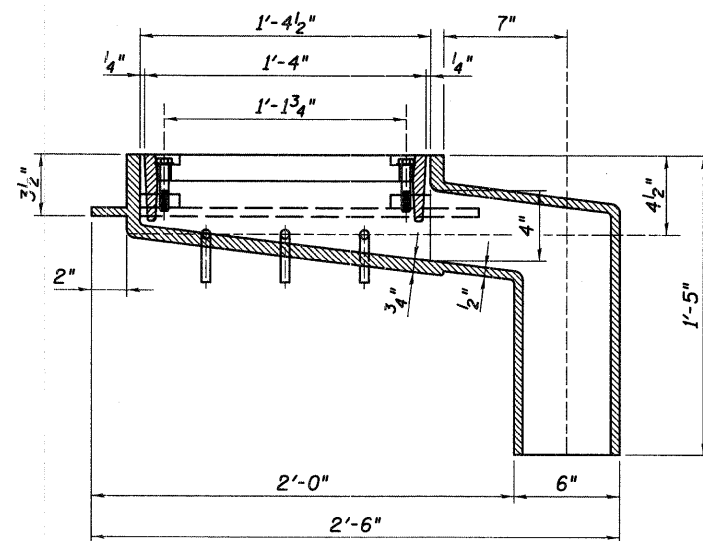
**BOLT HOLE DETAIL**



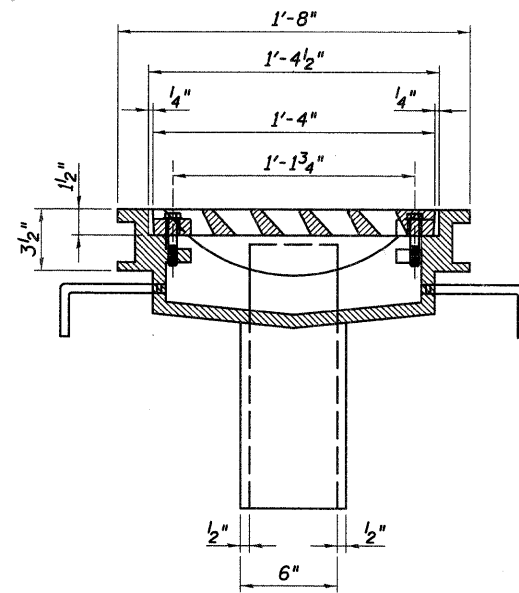
**ANCHOR STUD DETAIL**

**Notes:**

- All cast iron parts shall be gray iron conforming to the requirements of AASHTO M 105, Class 35B.
- Bolts, anchor studs, washers and nuts shall conform to the requirements of ASTM A 307 and shall be galvanized according to AASHTO M 232.
- As an alternate, bolts, anchor studs, washers and nuts may be stainless steel according to Article 1006.29(d) of the Standard Specifications.
- Structural steel weldments of equal sections and of the same configuration may be substituted for the cast iron scupper frame. Fillet or full penetration welds shall be used for the weldments. Details shall be submitted to the Engineer for approval. Structural steel weldments shall not be substituted for the cast iron scupper grate. Structural steel frames and downspouts shall be galvanized according to AASHTO M 111.
- The Contractor shall take appropriate measures to assure that Protective Coat is not applied to the scupper.
- Cost of the Grate, Frame, Anchor Studs, Bolts, Washers and Nuts including complete installation of the scupper shall be paid for at the contract unit price each for Drainage Scupper, Special.



**SECTION A-A**



**SECTION B-B**

**BILL OF MATERIAL**

ITEM	UNIT	QUANTITY
Drainage Scuppers (Special)	Each	16

REVISIONS	
NAME	DATE

ILLINOIS DEPARTMENT OF TRANSPORTATION  
**DRAINAGE SCUPPER DETAILS**  
 STEARNS ROAD PUBLIC  
 OVER THE FOX RIVER WATERS  
 STRUCTURE NUMBER 045-3166  
 KANE COUNTY FAP 361 SECTION 06-00214-20-BR  
 STATION 571+42.96 DESIGNED: GWC DRAWN: SGW  
 DATE: JANUARY 16, 2009 CHECKED: KPZ CHECKED: KPZ

**Baker**  
 Baker Engineering, Inc.