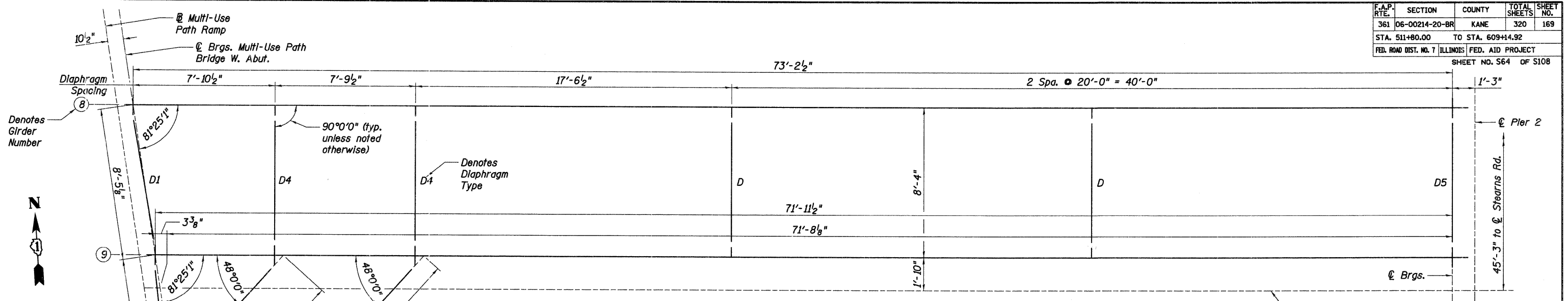
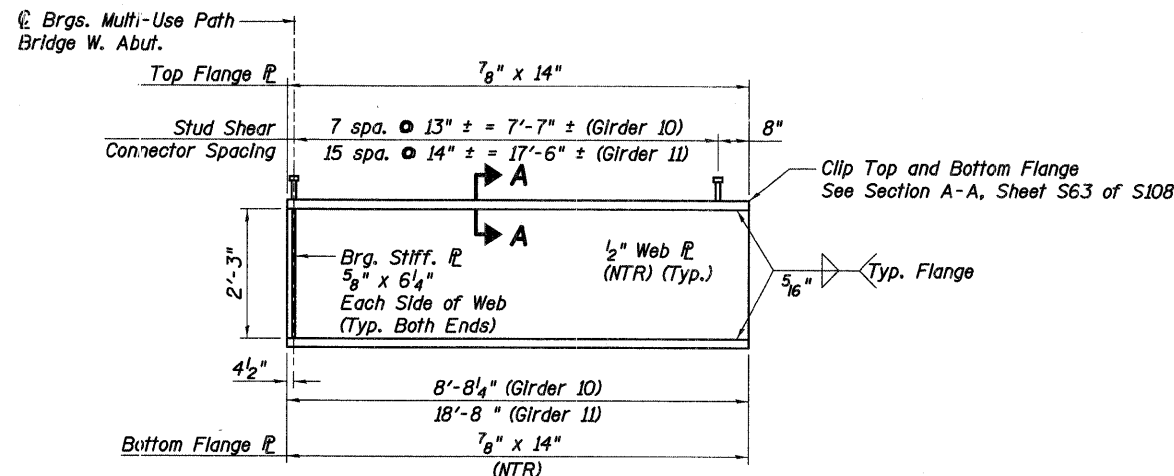


F.A.P. RTE.	SECTION	COUNTY	TOTAL SHEETS	SHEET NO.
361	06-00214-20-BR	KANE	320	169
STA. 511+80.00		TO STA. 609+14.92		
FED. ROAD DIST. NO. 7		ILLINOIS FED. AID PROJECT		
SHEET NO. S64 OF S108				

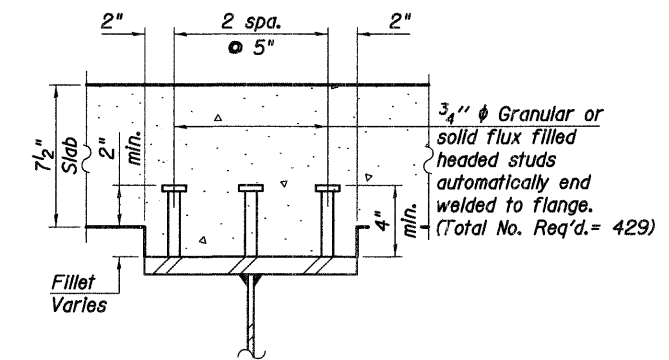


**SPAN 1 FRAMING PLAN**



**GIRDER ELEVATION**

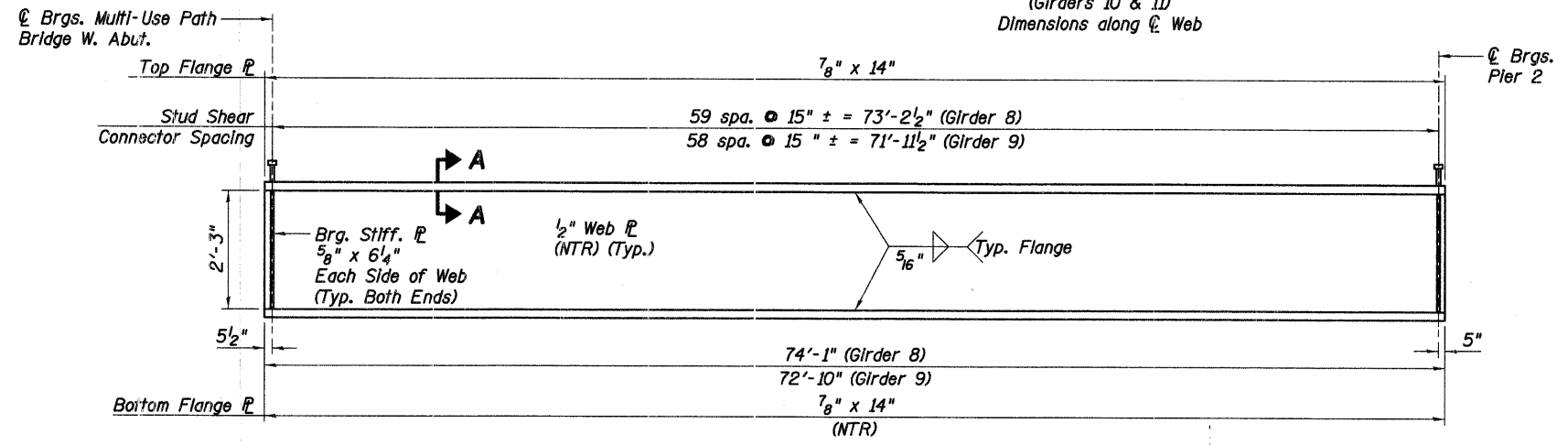
(Girders 10 & 11)  
Dimensions along C Web



**SECTION A-A**

**Notes:**

- For additional Framing Plan and Girder Elevation Information, see sheets S65 and S66 of S108.
- All cross frames or diaphragms shall be installed as steel is erected and secured with erection pins and bolts except as otherwise noted. Individual cross frames or diaphragms at supports may be temporarily disconnected to install bearing anchor rods.
- Load carrying components designated "NTR" shall conform to the Supplemental Requirements Notch Toughness, Zone 2.
- For Diaphragm details, see sheet S66 of S108.
- For Connection details for the connection between Girder 10 & 11 to Girder 9, see sheet S66 of S108.
- The structural steel for girders, bearing stiffeners, and splice plate material except fill plates shall conform to the requirements of AASHTO M270, Gr. 50.



**GIRDER ELEVATION**

(Girders 8 & 9)  
Dimensions along C Web

REVISIONS	
NAME	DATE

ILLINOIS DEPARTMENT OF TRANSPORTATION  
**MUP BRIDGE - FRAMING PLAN AND GIRDER ELEVATION**  
 MULTI-USE PATH BRIDGE OVER THE FOX RIVER  
 STRUCTURE NUMBER 045-3164  
 KANE COUNTY FAP 361 SECTION 06-00214-20-BR  
 STATION 572+37.71 DESIGNED: GWG DRAWN: GWG  
 DATE: JANUARY 16, 2009 CHECKED: KPZ CHECKED: KPZ



h:\3005\3.0 phase II deliverables\3.3 structure\drawings\Final\045-3164 MUP Bridge FramingPlan.dgn  
 7/16/2009