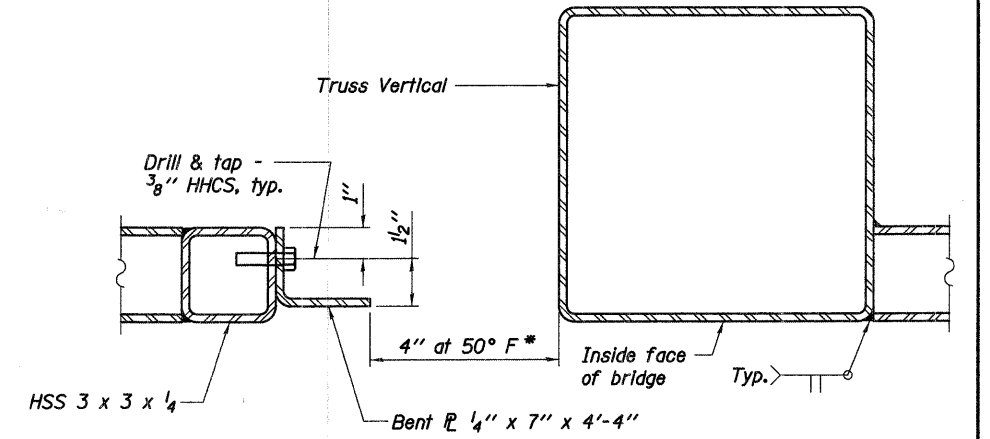
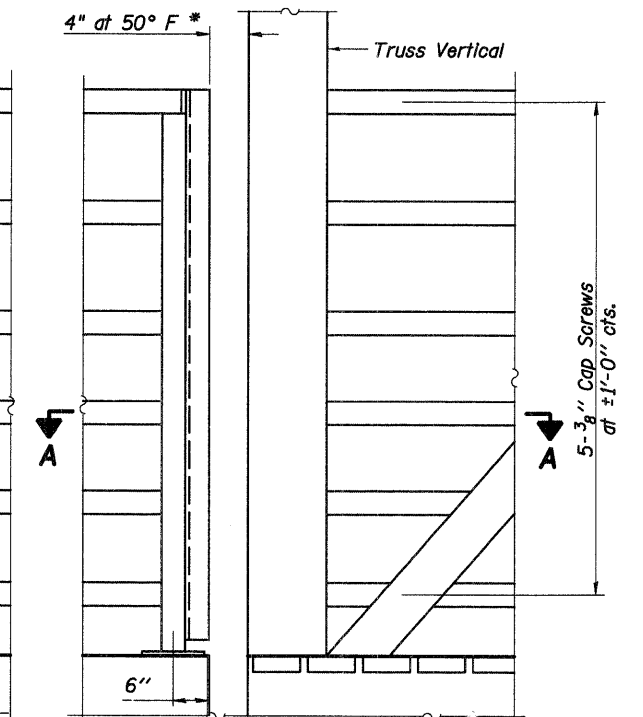
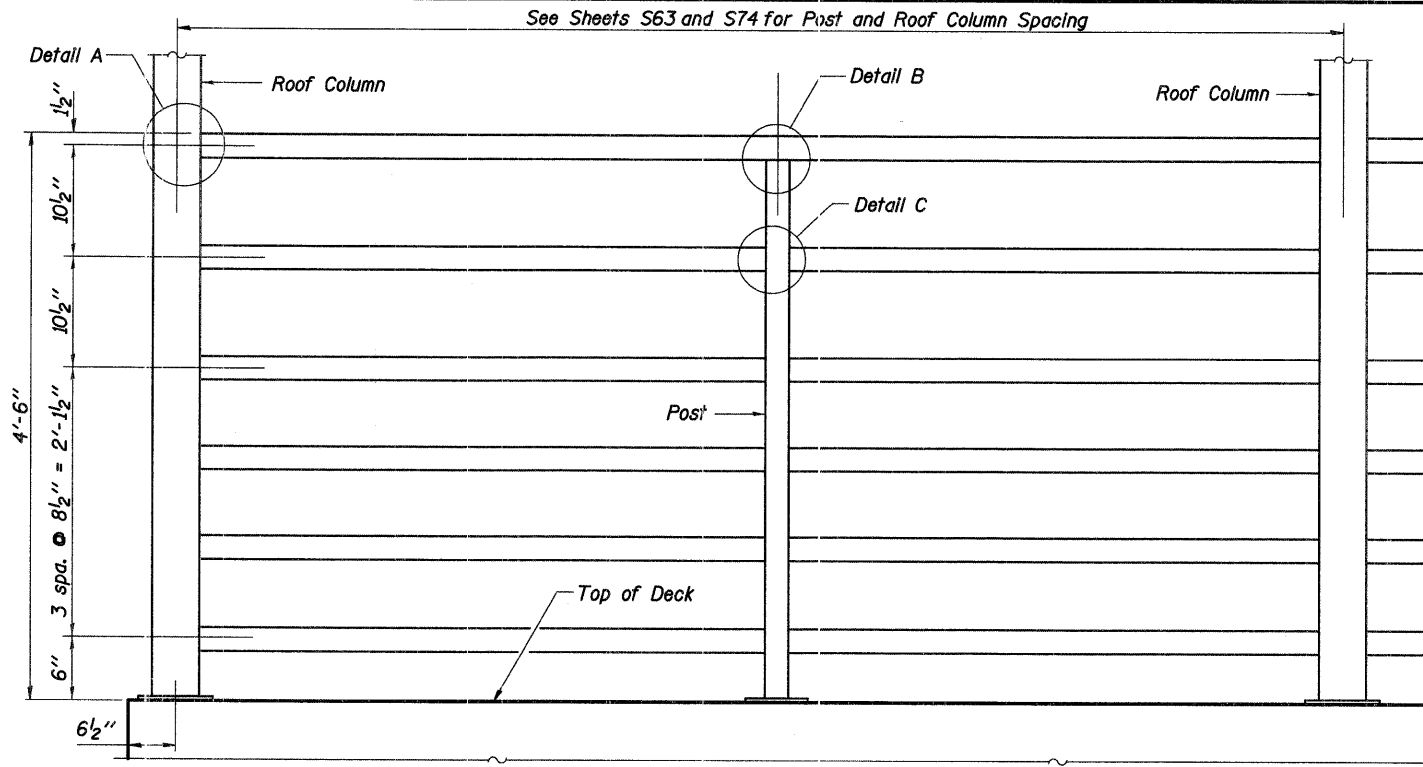


F.A.P. RTE.	SECTION	COUNTY	TOTAL SHEETS	SHEET NO.
361	06-00214-20-BR	KANE	320	173
STA. 511+80.00		TO STA. 609+14.92		
FED. ROAD DIST. NO. 7		ILLINOIS FED. AID PROJECT		
SHEET NO. S68 OF S108				

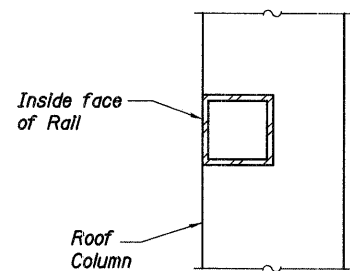


BICYCLE RAILING, SPECIAL

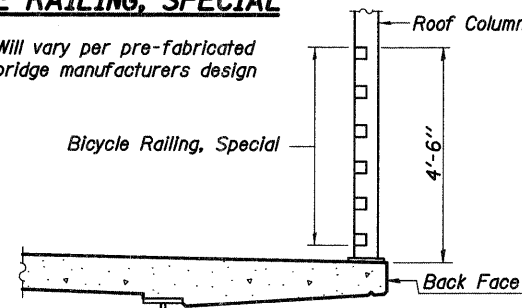
(10'-0" Maximum Post Spacing)

BICYCLE RAILING, SPECIAL

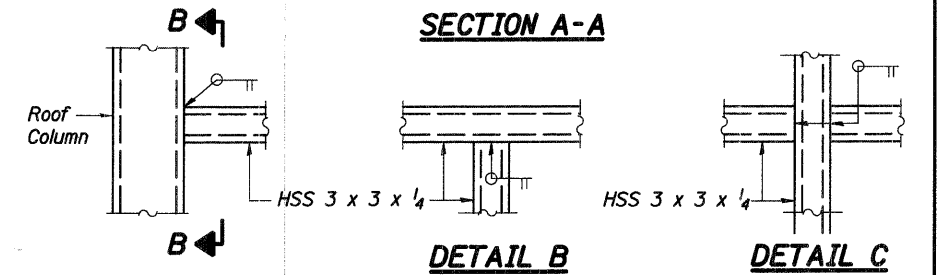
* Will vary per pre-fabricated bridge manufacturers design



SECTION B-B



SECTION THRU DECK



SECTION A-A

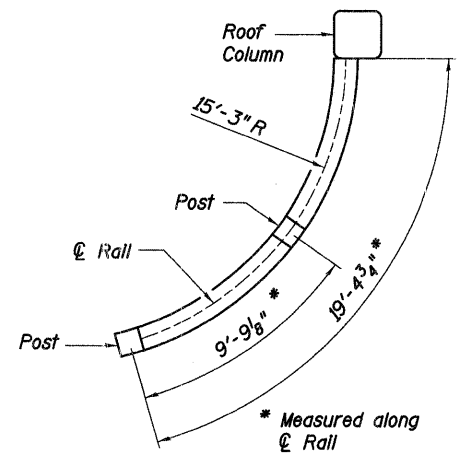
DETAIL B

DETAIL C

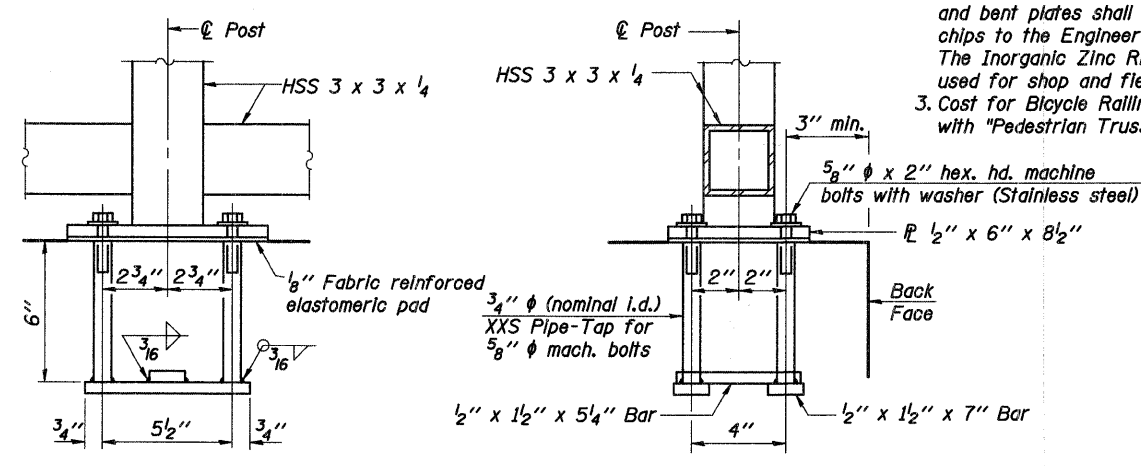
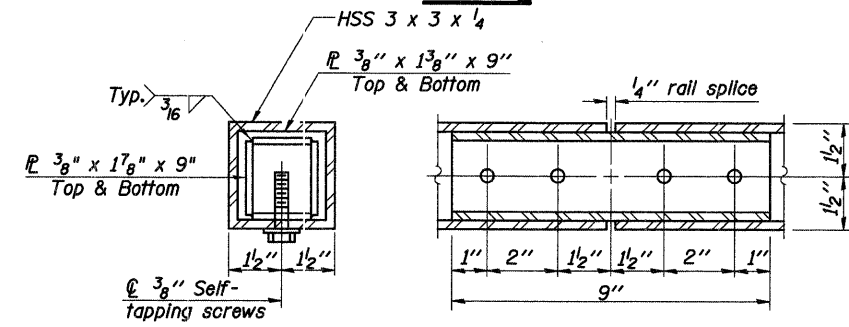
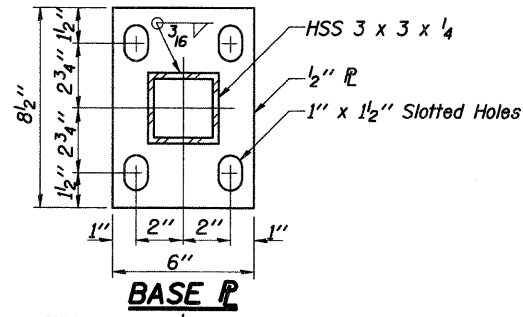
DETAIL A

Notes:

- Dimensions shown for the pre-fabricated bridges may vary based upon the manufacturer. Contractor to verify and adjust Bicycle Railing, Special elements as required. Cost is included with "Pedestrian Truss Superstructure".
- The finish coat for all post, railing, roof columns, splices, anchor devices, and bent plates shall be Federal Standard 595B, color #14062; submit paint chips to the Engineer for approval prior to ordering any finish coat material. The Inorganic Zinc Rich Primer / Acrylic / Acrylic Paint System shall be used for shop and field painting.
- Cost for Bicycle Railing Installed on the Pre-fabricated Truss is included with "Pedestrian Truss Superstructure".



ALCOVE RAIL DETAIL



ANCHOR BOLT DETAILS

BILL OF MATERIAL

Item	Unit	Quantity
Bicycle Railing, Special	Foot	157

REVISIONS	
NAME	DATE

ILLINOIS DEPARTMENT OF TRANSPORTATION

MUP BRIDGE - BICYCLE RAILING, SPECIAL

MULTI-USE PATH BRIDGE OVER THE FOX RIVER PUBLIC WATERS

STRUCTURE NUMBER 045-3164

KANE COUNTY FAP 361 SECTION 06-00214-20-BR

STATION 572+37.71 DESIGNED: DFM DRAWN: SGW

DATE: JANUARY 16, 2009 CHECKED: KPZ CHECKED: KPZ

Baker
Baker Engineering, Inc.