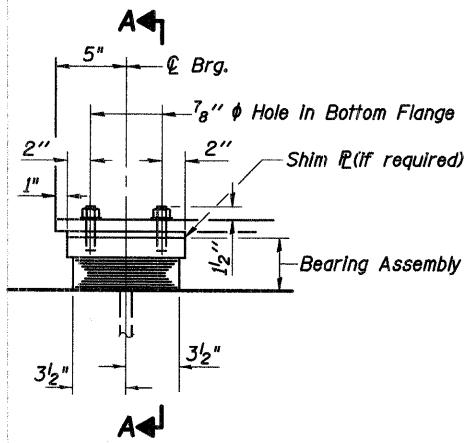
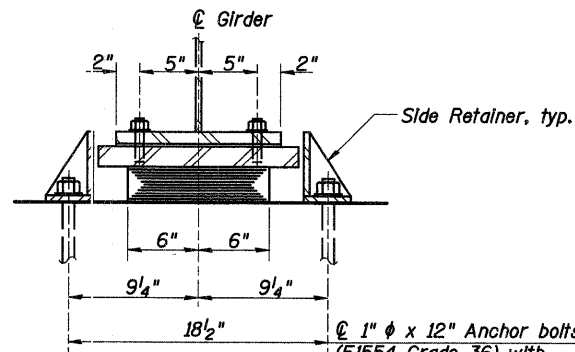


F.A.P. RTE.	SECTION	COUNTY	TOTAL SHEETS	SHEET NO.
361	06-00214-20-BR	KANE	320	174
STA. 511+80.00		TO STA. 609+14.92		
FED. ROAD DIST. NO. 7		ILLINOIS FED. AID PROJECT		
SHEET NO. S69 OF S108				



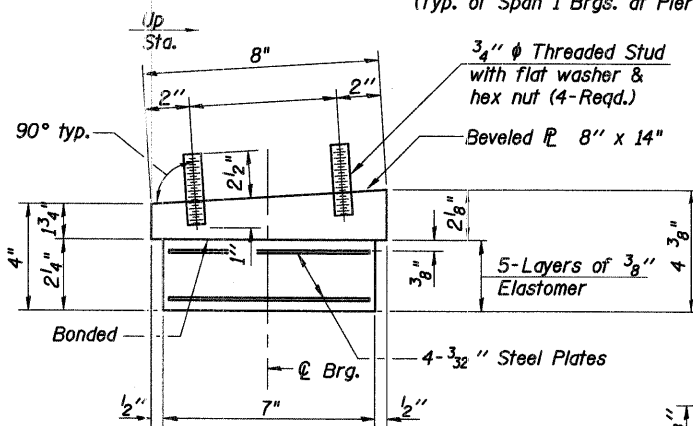
ELEVATION



SECTION A-A

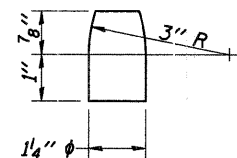
TYPE I ELASTOMERIC EXP. BRG.

(Typ. of Span 1 Brgs. at Pier 2 - 2 Required)

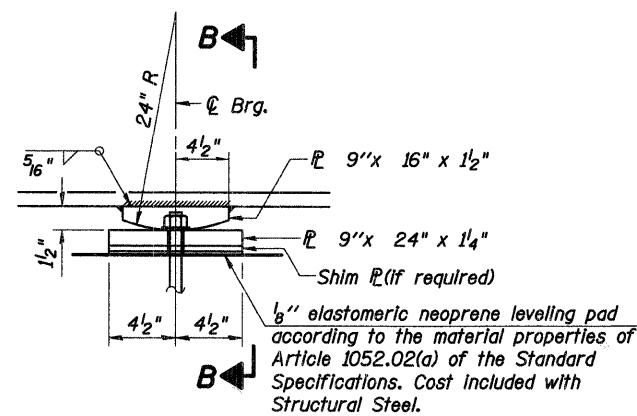


BEARING ASSEMBLY

Note: Shim plates shall not be placed under Bearing Assembly.

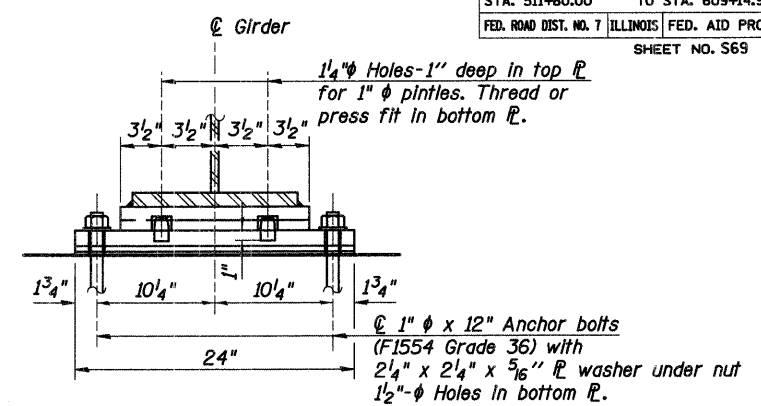


PINTLE



ELEVATION

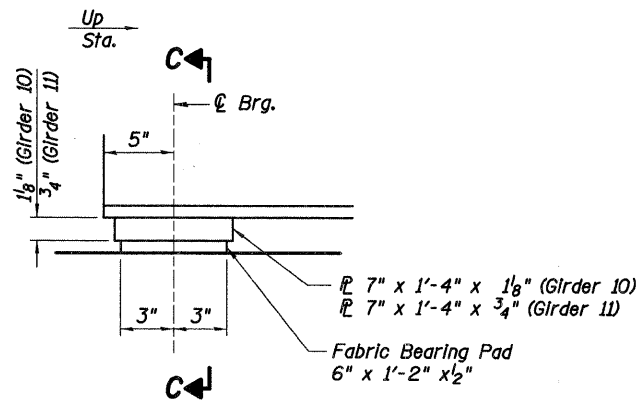
(View parallel to G Girder)



SECTION B-B

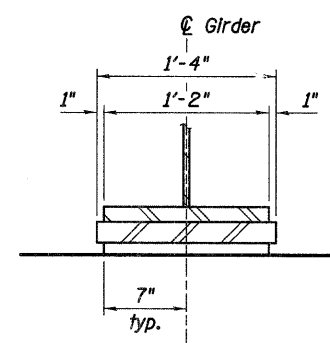
FIXED BEARING

(Typ. of Girders 8 & 9 Span 1 Brgs. at MUP Bridge West Abutment - 2 Required)



ELEVATION

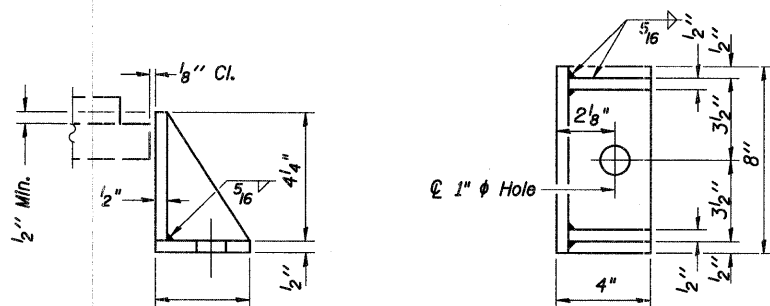
(View parallel to G Girder)



SECTION C-C

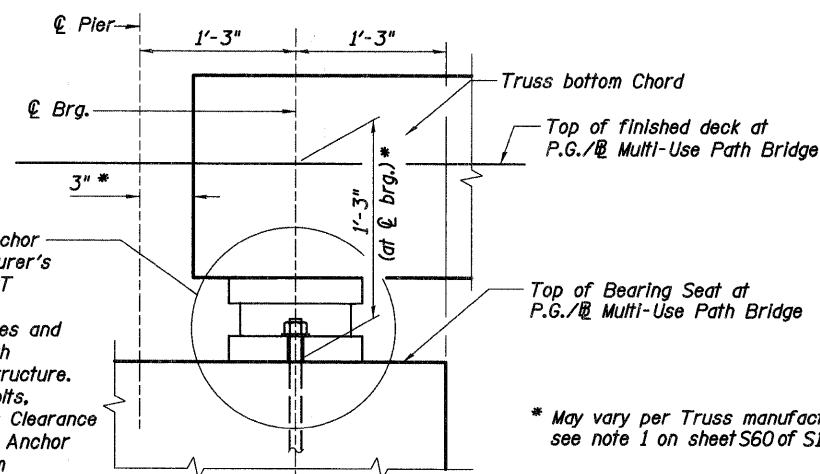
FABRIC BEARING PAD

(Typ. of Girders 10 & 11 Span 1 at MUP Bridge West abut. alcove, 2 required)



SIDE RETAINER

Equivalent rolled angle with stiffeners will be allowed in lieu of welded plates.



MUP BRIDGE TRUSS BEARING

(Typ. of all Truss exp. and fixed bearings of Piers 2, 3, & 4 and MUP Bridge East Abutment)

Bearing Assembly and Anchor Bolt details per Manufacturer's recommendations and IDOT Specifications. Cost of Bearing Assemblies and Anchor Bolts included with Pedestrian Truss Superstructure. Coordinate the Anchor Bolts, Bearing Plates and Truss Clearance with Truss Manufacturer. Anchor Bolts to have 12" minimum embedment.

* May vary per Truss manufacturer's design, see note 1 on sheet S60 of S108

Notes:

- Anchor bolts shall be ASTM F1554 all-thread (or an Engineer-approved alternate material) of the grade(s) and diameter(s) specified. ASTM A307 Grade C anchor bolts may be used in lieu of ASTM F1554 Grade 36 (Fy=36ksi). The corresponding specified grade of AASHTO M314 anchor bolts may be used in lieu of ASTM F1554.
- Anchor bolts at fixed bearings may be either cast in place or installed in holes drilled after the supported member is in place.
- Anchor bolts for side retainers and may be cast in place or installed in holes drilled before or after members are in place.
- Drilled and set anchor bolts shall be installed according to Article 521.06 of the Standard Specifications.
- Side retainers and other steel members required for the bearing assembly shall be included in the cost of Elastomeric Bearing Assembly, Type I.
- Cost of fabric bearing pad and other steel members required for the fabric bearing pad assemblies to be included with "Furnishing and Erecting Structural Steel".
- Cost of fixed bearing assemblies excluding anchor bolts, to be included with "Furnishing and Erecting Structural Steel".

BILL OF MATERIAL

Item	Unit	Total
Elastomeric Bearing Assembly Type I	Each	2
Anchor Bolts, 1"	Each	8

REVISIONS	
NAME	DATE

ILLINOIS DEPARTMENT OF TRANSPORTATION
MUP BRIDGE - BEARING DETAILS
 STEARNS ROAD OVER THE FOX RIVER PUBLIC WATERS
 STRUCTURE NUMBER 045-3166
 KANE COUNTY FAP 361 SECTION 06-00214-20-BR
 STATION 571+42.96 DESIGNED: DAP DRAWN: SCW
 DATE: JANUARY 16, 2009 CHECKED: KPZ CHECKED: KPZ

Baker
 Baker Engineering, Inc.