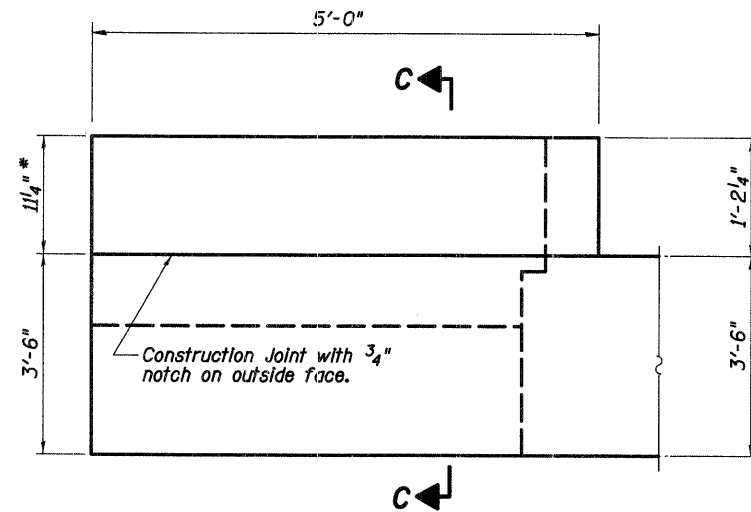
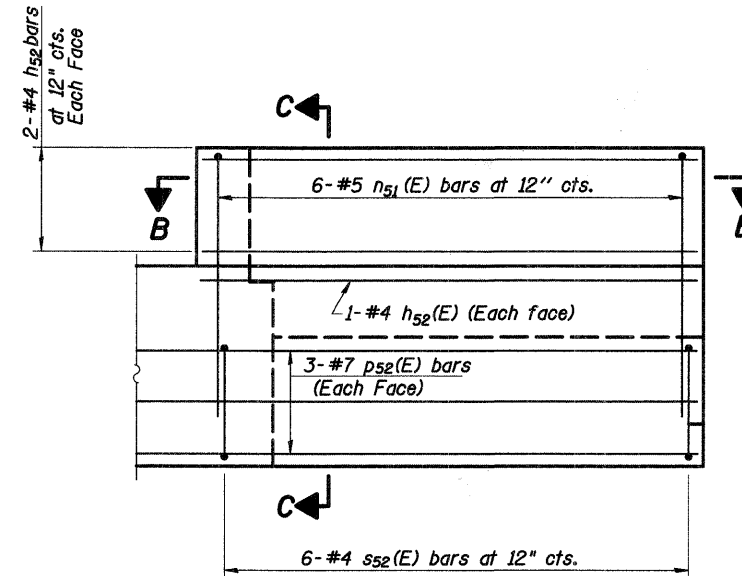


F.A.P. RTE.	SECTION	COUNTY	TOTAL SHEETS	SHEET NO.
361	06-00214-20-BR	KANE	320	178
STA. 511+80.00		TO STA. 609+14.92		
FED. ROAD DIST. NO. 7		ILLINOIS FED. AID PROJECT		
SHEET NO. S73 OF S108				

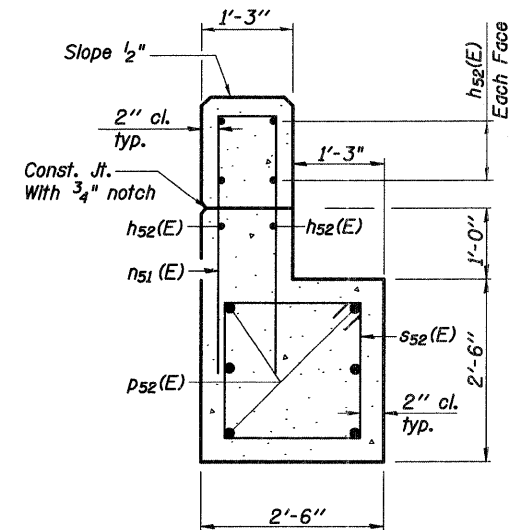
\* May vary per Truss manufacturer's design, see "MUP Bridge Truss Bearing" detail on sheet S69 of S108



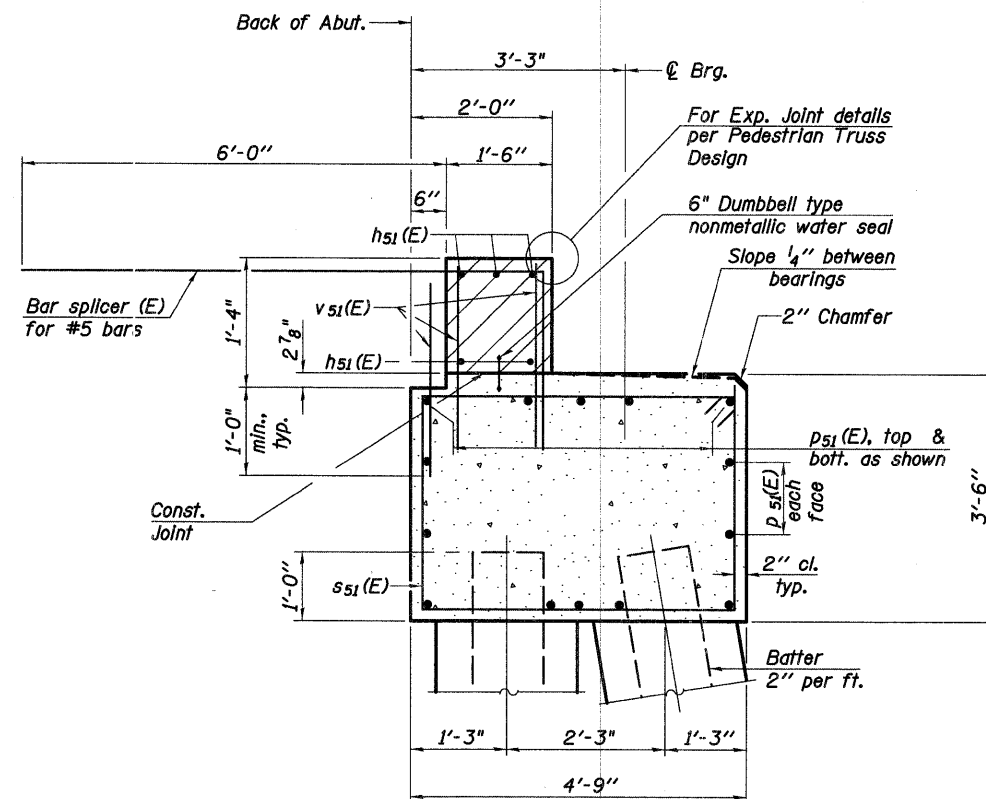
**WING WALL ELEVATION**  
Showing Dimensions  
(Typ. of both wingwalls)



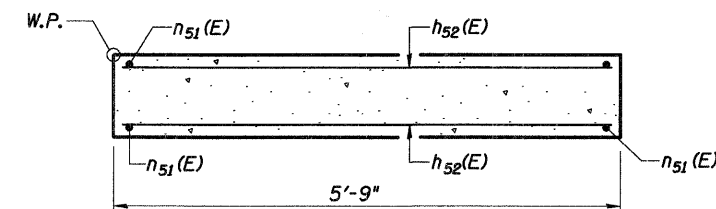
**WING WALL ELEVATION**  
Showing Reinforcement  
(Typ. of both wingwalls)



**SECTION C-C**



**SEC. THRU ABUT.**



**SECTION B-B**

REVISIONS	
NAME	DATE

ILLINOIS DEPARTMENT OF TRANSPORTATION  
**MUP BRIDGE -**  
**EAST ABUTMENT II**  
MULTI-USE PATH BRIDGE PUBLIC  
OVER THE FOX RIVER WATERS  
STRUCTURE NUMBER 045-3164  
KANE COUNTY FAP 361 SECTION 06-00214-20-BR  
STATION 572+37.71 DESIGNED: DAP DRAWN: SGW  
DATE: JANUARY 16, 2009 CHECKED: KPZ CHECKED: KPZ

**Baker**  
Baker Engineering, Inc.