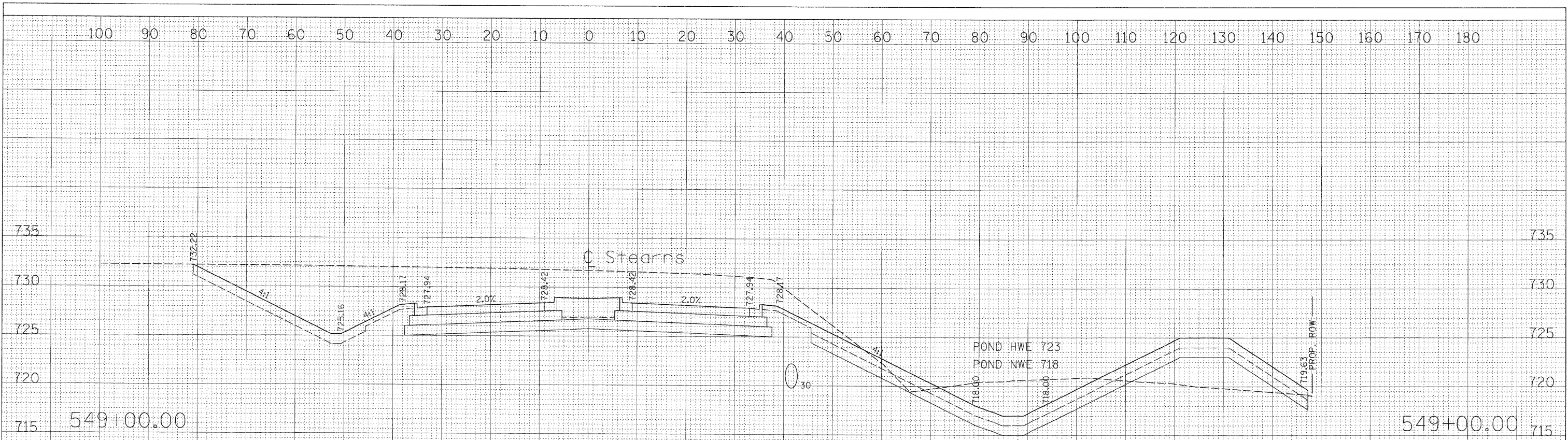
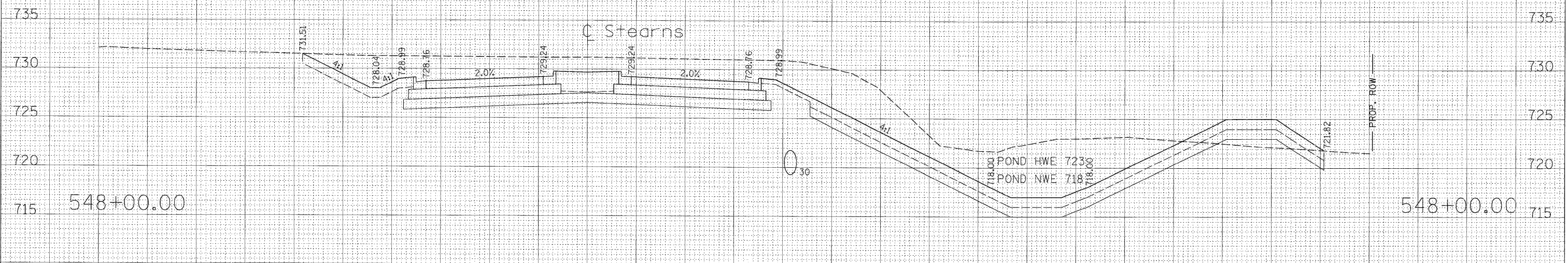


FINAL	SURVEYED	BY	DATE
SHEET	PLOTTED		
NOTE BOOK	TEMPLATE		
NO.	AREAS CHECKED		

ORIGINAL	DATE
SURVEY	
NOTE BOOK	
NO.	



CUT = 679 FILL = 192
 TOPSOIL CUT = 171 TOPSOIL FILL = 171
 PGE = 75



CUT = 686 FILL = 119
 TOPSOIL CUT = 157 TOPSOIL FILL = 157
 PGE = 75

HORIZONTAL SCALE: 1" = 10'
 VERTICAL SCALE: 1" = 5'

FILE NAME = PR_XS_543+50-550+44.sht	USER NAME = GTINE	DESIGNED - GS	REVISED -	STATE OF ILLINOIS DEPARTMENT OF TRANSPORTATION	STEARNS ROAD CROSS SECTIONS			F.A.P. RTE. 361	SECTION 06-00214-20-BR	COUNTY Kane	TOTAL SHEETS 320	SHEET NO. 269
	PLOT SCALE = 10'	DRAWN - GS	REVISED -		SCALE:	SHEET NO.	OF	SHEETS	STA. 548+00.00 TO STA. 549+00.00	CONTRACT NO.		
	PLOT DATE = 1/16/2009	CHECKED - SE	REVISED -							ILLINOIS FED. AID PROJECT		
		DATE - 01/16/09	REVISED -							Sta. 548+00.00 to Sta. 549+00.00		