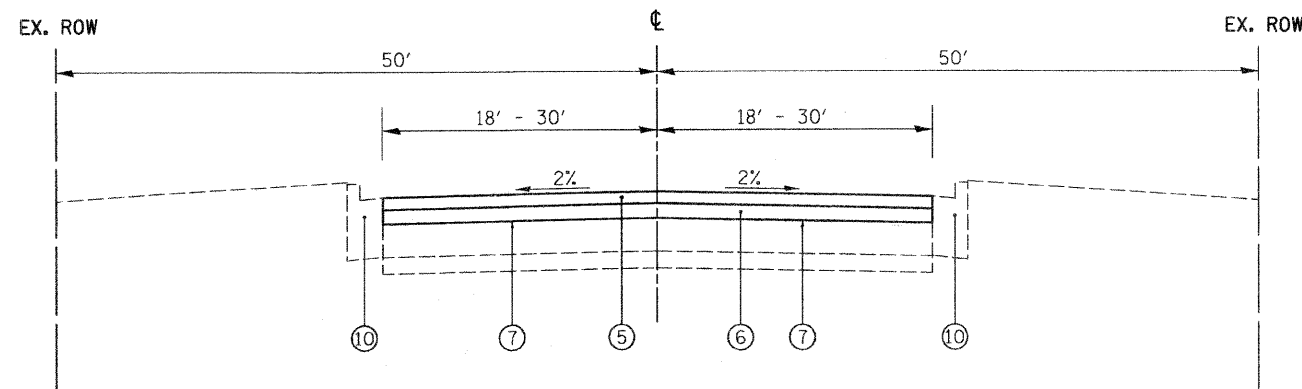
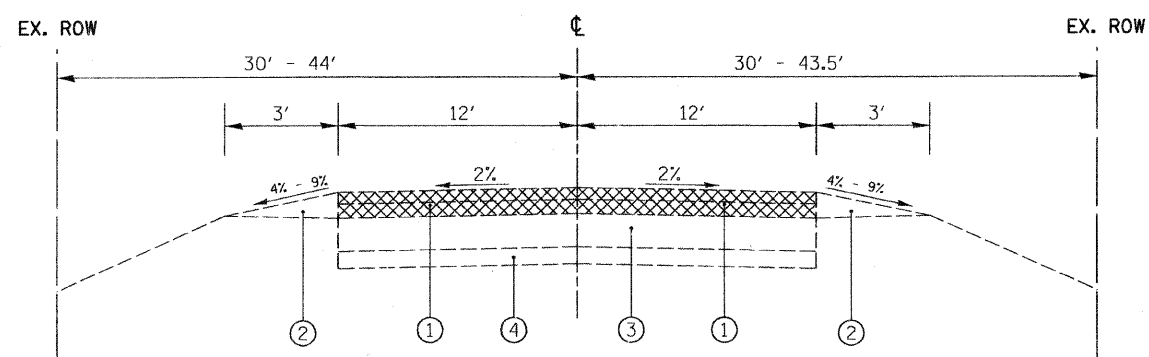


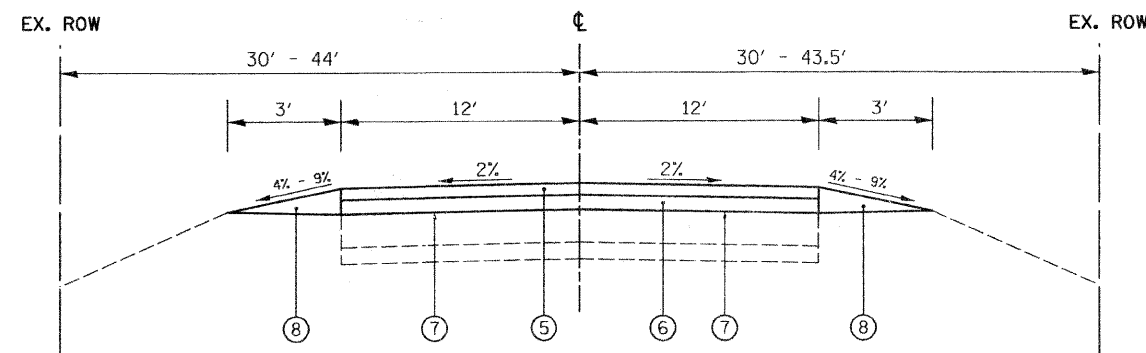
EXISTING TYPICAL SECTION
ACKMAN ROAD
 STA. 247+00 TO 250+32.23
 STA. 255+58.73 TO 257+18.73




PROPOSED TYPICAL SECTION
ACKMAN ROAD
 STA. 247+00 TO 250+32.23
 STA. 255+58.73 TO 257+18.73



EXISTING TYPICAL SECTION
MAIN STREET



PROPOSED TYPICAL SECTION
MAIN STREET

 PROPOSED HOT-MIX ASPHALT SURFACE REMOVAL, (SPECIAL), 3 3/4"

LEGEND

- ① HOT-MIX ASPHALT SURFACE REMOVAL, (SPECIAL), 3 3/4"
- ② EXISTING AGGREGATE SHOULDERS
- ③ EXISTING HMA BASE COURSE
- ④ EXISTING AGGREGATE BASE
- ⑤ PROPOSED HOT-MIX ASPHALT SURFACE COURSE, MIX D, N70, 1 1/2" (IL 9.5)
- ⑥ PROPOSED HOT-MIX ASPHALT BINDER COURSE, IL-19.0, N70, 2 1/4"
- ⑦ PROPOSED BITUMINOUS MATERIALS (PRIME COAT) AND AGGREGATE (PRIME COAT)
- ⑧ PROPOSED AGGREGATE SHOULDERS, TYPE B, (SPECIAL)
- ⑨ EXISTING COMBINATION CONCRETE CURB AND GUTTER
- ⑩ PROPOSED COMBINATION CONCRETE CURB AND GUTTER REMOVAL AND REPLACEMENT

*FAU 3873 (ACKMAN ROAD) AND FAU 4066 (MAIN STREET)

FILE NAME = #FILE#	USER NAME = #USER#	DESIGNED -	REVISED -	McHENRY COUNTY DIVISION OF TRANSPORTATION ACKMAN ROAD AND MAIN STREET LAPP IMPROVEMENTS	TYPICAL SECTIONS AND HMA MIXTURE REQUIREMENTS			F.A. RTE.	SECTION	COUNTY	TOTAL SHEETS	SHEET NO.
		DRAWN -	REVISED -					09-00360-00-RS	McHENRY	19	5	
		CHECKED -	REVISED -		SCALE:	SHEET NO. OF SHEETS	STA. TO STA.	CONTRACT NO. 63130		FED. ROAD DIST. NO.	ILLINOIS FED. AID PROJECT	
		DATE -	REVISED -									