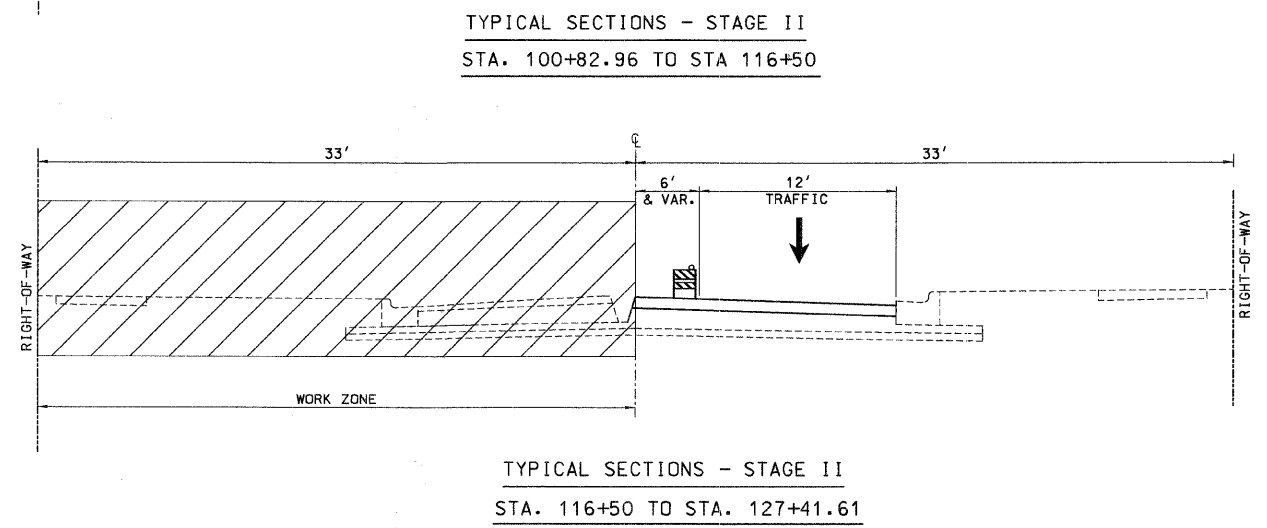
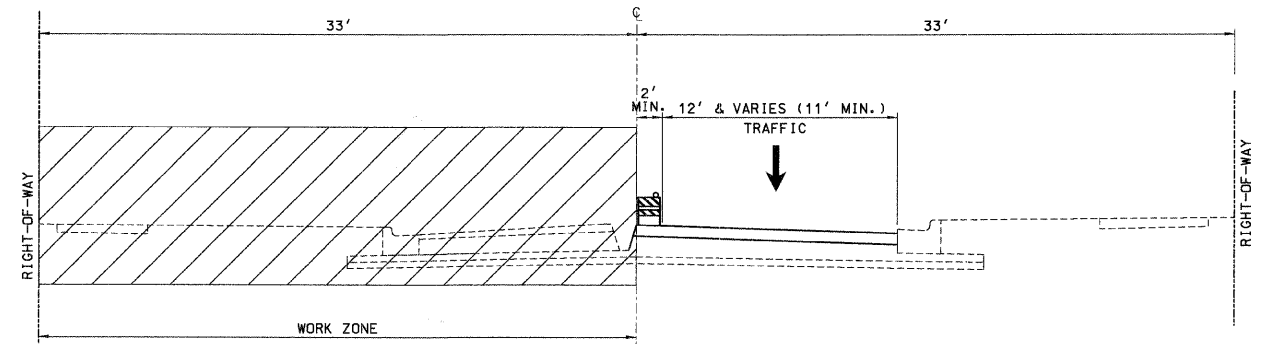
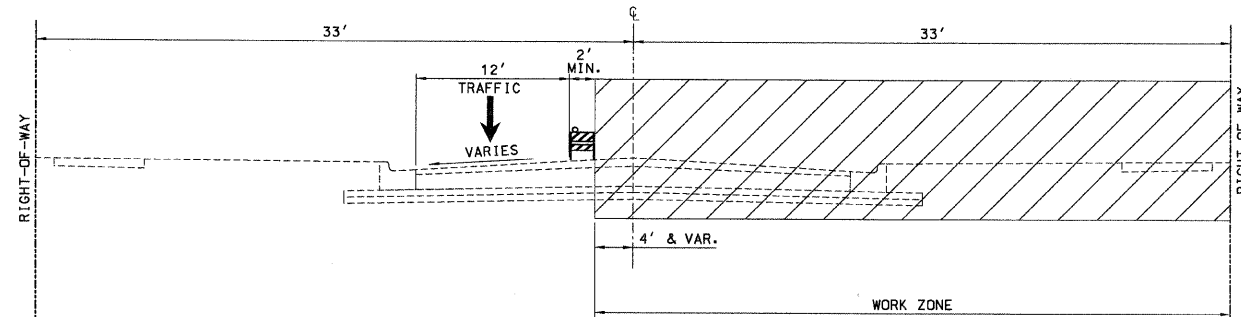


SIGNING NOTES:
 1. "NO LEFT TURN" AND "NO RIGHT TURN" SIGNS WILL BE PLACED AT ALL ALLEYS.
 2. THERE WILL BE NO ON-STREET PARKING ON JACKSON BOULEVARD DURING CONSTRUCTION. "NO PARKING" SIGNS (R7-1) WILL BE PLACED EVERY HALF-BLOCK (MINIMUM).



FILE NAME =	USER NAME = PRAZPLAN	DESIGNED -	REVISED -	STATE OF ILLINOIS DEPARTMENT OF TRANSPORTATION	MAINTENANCE OF TRAFFIC - JACKSON BOULEVARD	F.A. RTE.	SECTION	COUNTY	TOTAL SHEETS	SHEET NO.	
W:\FORESTPARK\070001\Civil\MDT_270001.RVT	SH	DRAWN -	REVISED -			1462	07-00105-00-PV	COOK	49	9	
	PLOT SCALE = N.T.S.	CHECKED -	REVISED -			CONTRACT NO. 63134					
	PLOT DATE = 2/17/2009	DATE -	REVISED -			FED. ROAD DIST. NO. 1 ILLINOIS FED. AID PROJECT					
					SCALE:	SHEET NO.	OF	SHEETS	STA.	TO STA.	