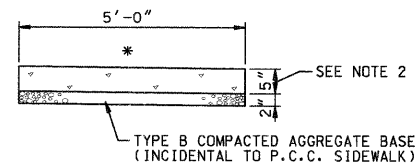


NOTE:
LONGITUDINAL BARS, IF ENCOUNTERED IN THE EXISTING CURB OR CURB AND GUTTER, ARE NOT TO BE REPLACED. CUTTING AND REMOVING LONGITUDINAL BARS SHALL BE INCLUDED IN THE COST OF CURB REMOVAL OR CURB AND GUTTER REMOVAL.

* INCLUDED IN THE COST FOR COMBINATION CONCRETE CURB AND GUTTER

COMBINATION CURB AND GUTTER ADJACENT TO EXIST. PAVEMENT AND/OR SIDEWALK

N.T.S.



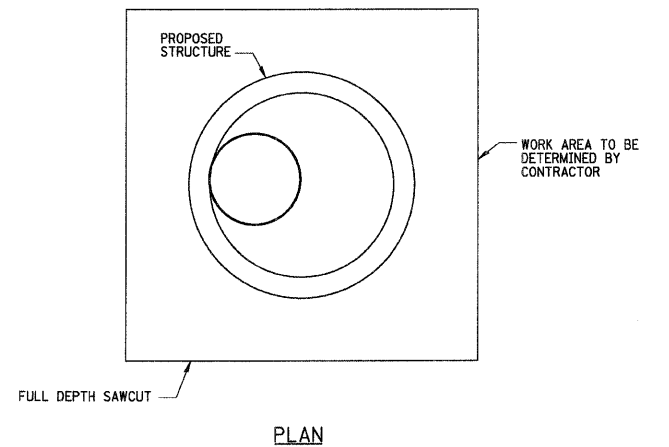
* CROSS SLOPE 2% OR AS SHOWN ON CROSS SECTIONS

NOTES:

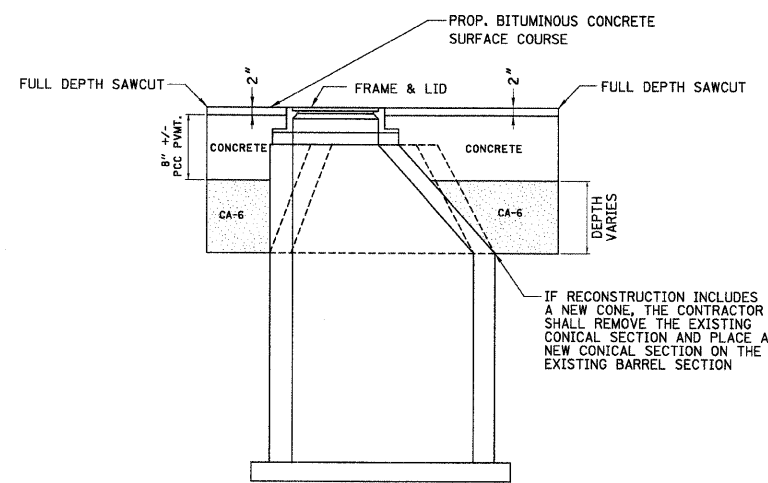
1. ALL REQUIRED EARTH EXCAVATION TO CONSTRUCT P.C.C. SIDEWALK SHALL BE INCIDENTAL TO THE P.C.C. SIDEWALK 5 INCH, SPECIAL.
2. THICKNESS SHALL BE INCREASED TO 7" WHERE SIDEWALK IS ADJACENT TO A CONCRETE DRIVEWAY. (COST INCIDENTAL)

P.C.C. SIDEWALK 5 INCH, SPECIAL

N.T.S.



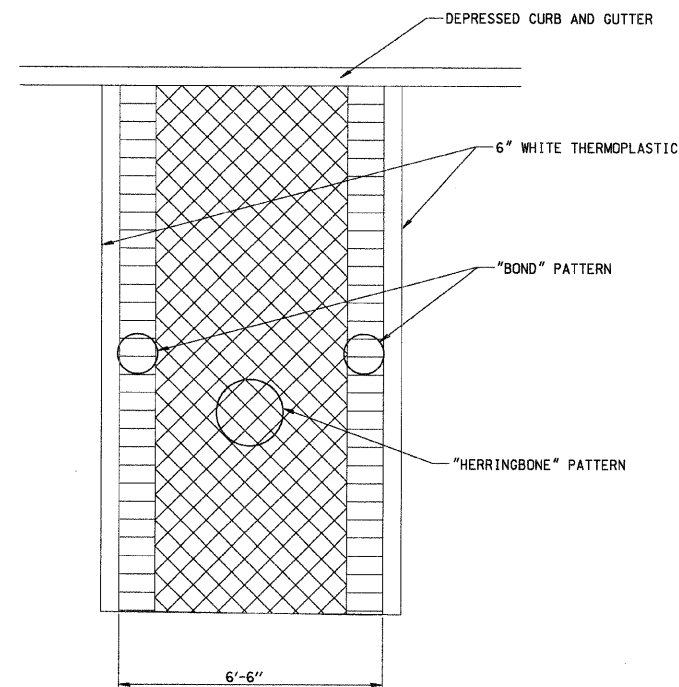
PLAN



ELEVATION

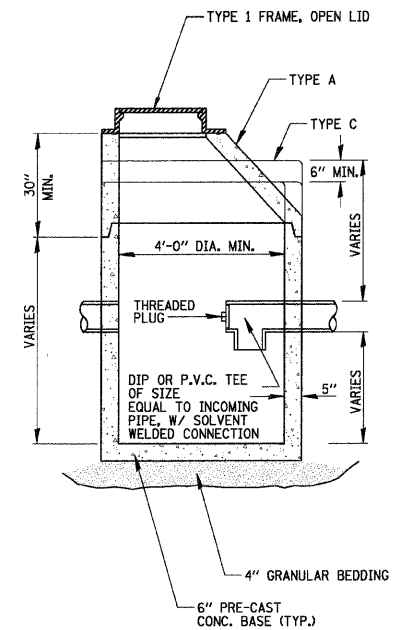
**PAVEMENT PATCHING
(INCIDENTAL TO REMOVAL AND
RECONSTRUCTION OF STRUCTURES)**

N.T.S.



PATTERN STAMPED CROSSWALKS

N.T.S.



CATCH BASIN TYPE A WITH HALF TRAP

NOTE: INSTALL P.V.C. OR DIP TEE ON PIPES CONNECTING TO COMBINED OR RELIEF MANHOLES ONLY.

N.T.S.

FILE NAME =	USER NAME = PRAZALAN	DESIGNED -	REVISED -	STATE OF ILLINOIS DEPARTMENT OF TRANSPORTATION	CONSTRUCTION DETAILS - JACKSON BOULEVARD	F.A. RTE.	SECTION	COUNTY	TOTAL SHEETS	SHEET NO.	
N:\F0RESTPARK\070001\Civil\DET_070001.DWG	SHT	DRAWN -	REVISED -			1462	07-00105-00-PV	COOK	49	18	
	PLOT SCALE = N.T.S.	CHECKED -	REVISED -			CONTRACT NO. 63134					
	PLOT DATE = 2/17/2009	DATE -	REVISED -			FED. ROAD DIST. NO. 1 [ILLINOIS] FED. AID PROJECT					
					SCALE:	SHEET NO. OF SHEETS STA. TO STA.					