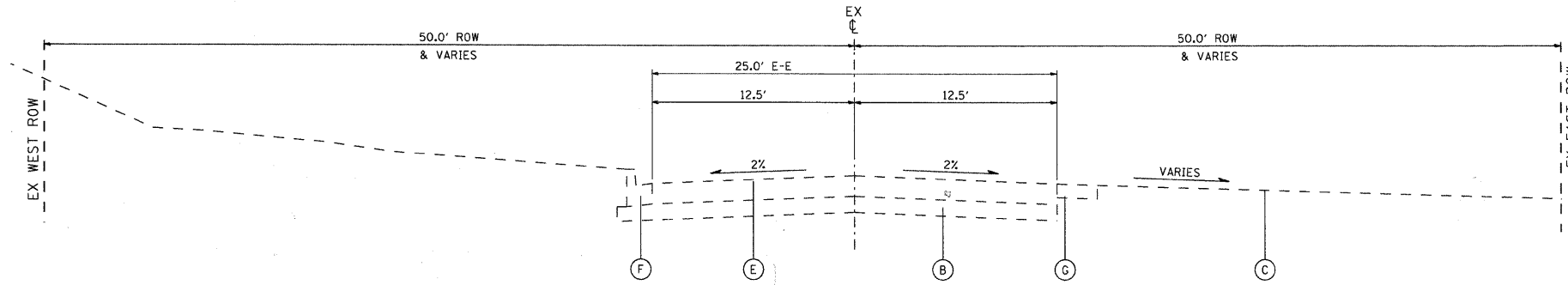
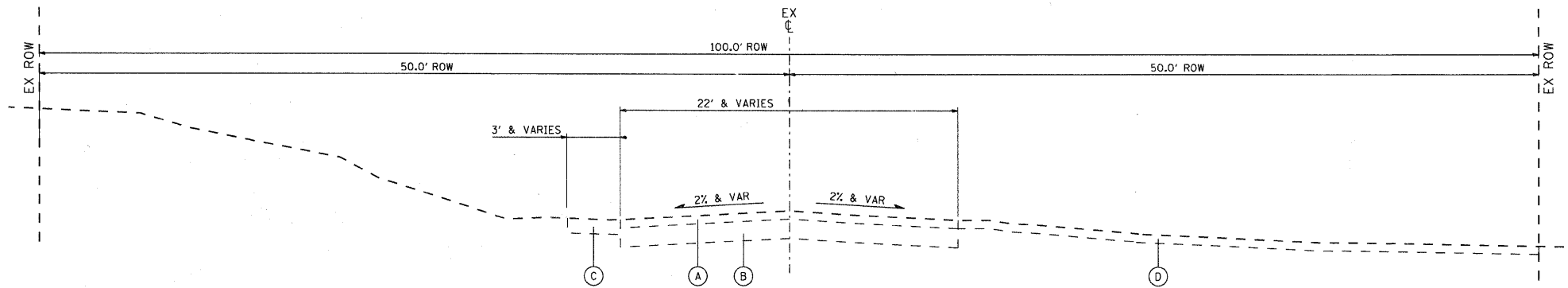


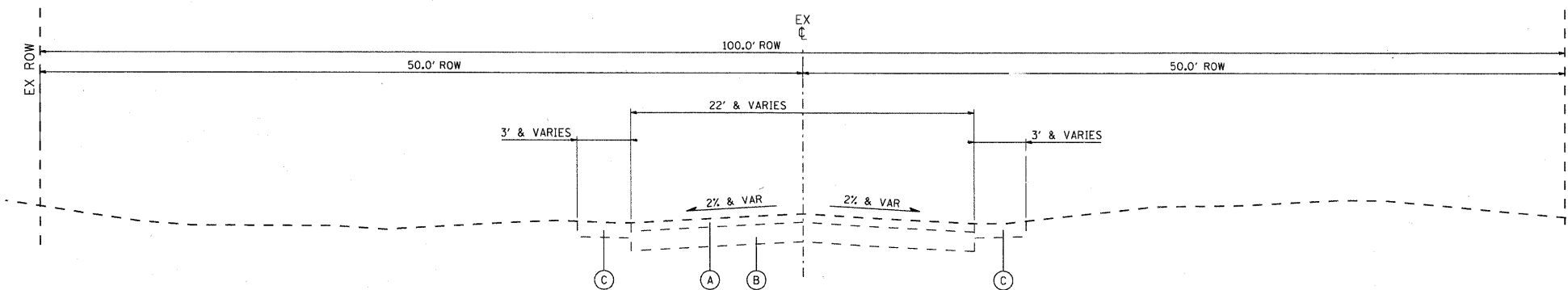
EXISTING TYPICAL SECTION
MILLER ROAD
STA 32+86 TO STA 43+90



EXISTING TYPICAL SECTION
CRYSTAL LAKE ROAD
STA 60+00 TO STA 61+40



EXISTING TYPICAL SECTION
CRYSTAL LAKE ROAD
STA 61+40 TO STA 64+65



EXISTING TYPICAL SECTION
CRYSTAL LAKE ROAD
STA 64+65 TO STA 66+10

EXISTING LEGEND

- (A) ASPHALT SURFACE COURSE (±4 INCH)
- (B) GRANULAR BASE COURSE
- (C) AGGREGATE SHOULDER
- (D) ASPHALT PARKING LOT SURFACE
- (E) ASPHALT PAVEMENT 9"
- (F) COMBINATION CONCRETE CURB AND GUTTER
- (G) ASPHALT SHOULDER, 4"

MILLER ROAD - PHASE I
02/27/09 - jsp-est/ldg



USER NAME = bhartman
PLOT SCALE = NTS
PLOT DATE = 2/13/2009

DESIGNED - BDH
DRAWN -
CHECKED -
DATE - 2/12/09

REVISED -
REVISED -
REVISED -
REVISED -

VILLAGE OF LAKE IN THE HILLS

EXISTING TYPICAL SECTIONS

SCALE: NTS SHEET NO. 1 OF 1 SHEETS STA. TO STA.

F.A. RTE.	SECTION	COUNTY	TOTAL SHEETS	SHEET NO.
4039	08-00029-00-FP	MCHENRY	29	4
FED. ROAD DIST. NO. ILLINOIS FED. AID PROJECT			CONTRACT NO. 63142	