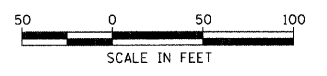
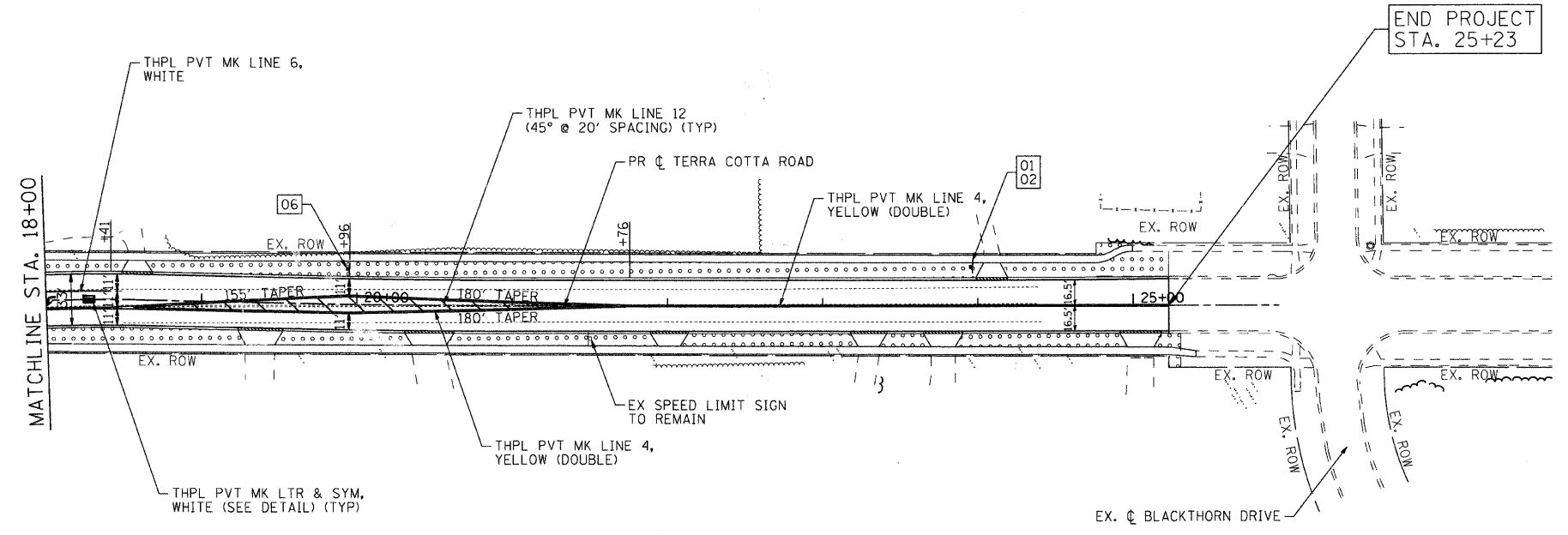
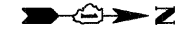
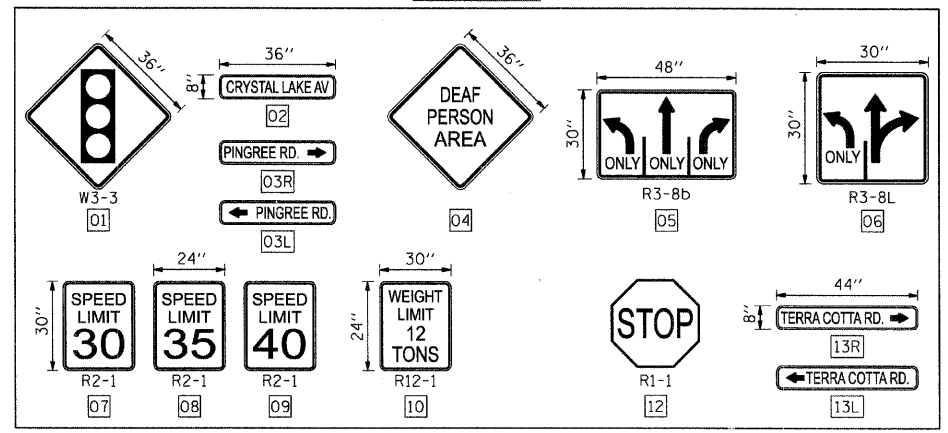


LEGEND
 SEEDING, CLASS 2A; AND TOPSOIL FURNISH AND PLACE, 6"

SIGN LEGEND



COMPANY NAME: Smith
 PROJECT CONTACT: J. McHugh
 DATE PLOTTED: 2/13/2009 11:51:01 AM
 FILE NAME: 080156-pm-01.dgn
 PLOT DRIVER: pdf2epscale_raster.dif
 PEN TABLE: standard-trans.tbl



USER NAME = char-ke	DESIGNED - JRM	REVISED
PLOT SCALE = 1" = 50'	DRAWN - JPA	REVISED
PLOT DATE = 2/13/2009	CHECKED - TCH	REVISED
	DATE - 2/13/09	REVISED

**MCHENRY COUNTY
 DIVISION OF TRANSPORTATION**

**PAVEMENT MARKING AND SIGNING PLAN
 PINGREE ROAD AND TERRA COTTA ROAD**

SCALE: 1" = 50' SHEET NO. 1 OF 2 SHEETS STA. TO STA.

F.A. RTE.	SECTION	COUNTY	TOTAL SHEETS	SHEET NO.
0116	08-00327-01-CH	MCHENRY	56	20
FED. ROAD DIST. NO. ILLINOIS			FED. AID PROJECT	
CONTRACT NO. 63144				