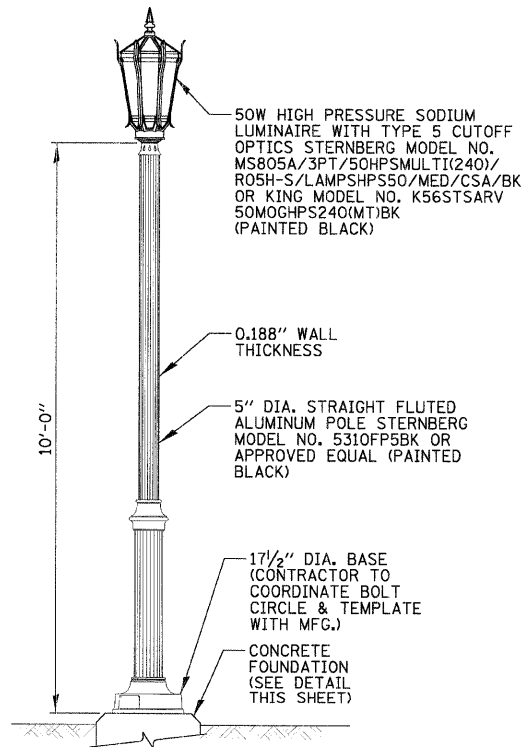
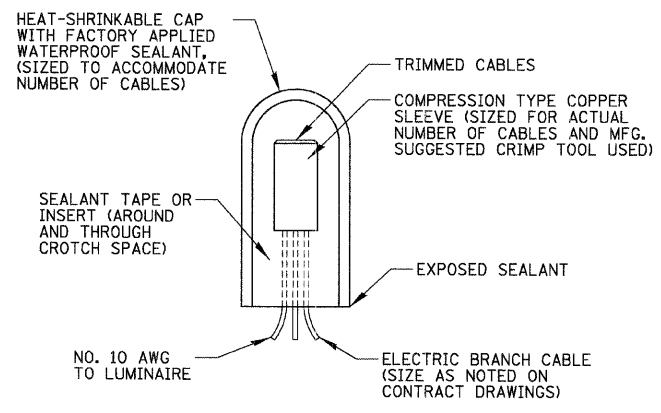


POLE HANDHOLE WIRING DIAGRAM
N.T.S.

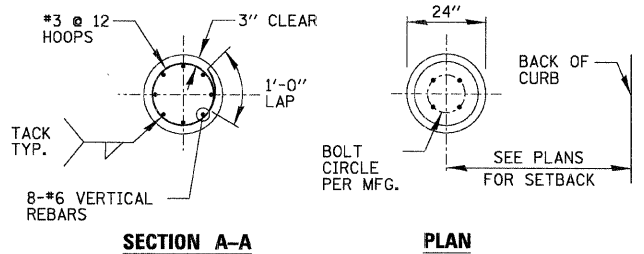


ORNAMENTAL LIGHTPOLE DETAIL
N.T.S.

- PHASE CONDUCTOR
 - - - - GROUND CONDUCTOR
 - NEUTRAL CONDUCTOR
- 1 CONNECTOR KIT METHOD WITH 5A FUSE (NEUTRAL SHALL BE NON-FUSED) INSIDE A 2 POLE BREAKAWAY FUSE HOLDER AND INSULATING BOOTS
 - 2 NO. 10 A.W.G. WIRE
 - 3 MULTIPLE COMPRESSION FITTINGS (SPICE)
 - 4 CONCRETE FOUNDATION
 - 5 WIRE AS SHOWN ON PLANS
 - 6 LIGHTING DUCT IN PVC RACEWAY
 - 7 POLE GROUND LUG
 - 8 #6 GND WIRE MECHANICALLY CLAMPED TO GROUND ROD
 - 9 5/8" DIA. x 10' GROUND ROD



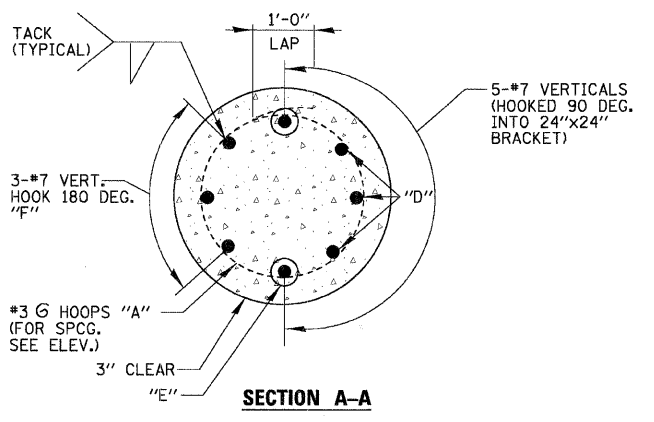
SPlicing ELECTRIC CABLE
N.T.S.



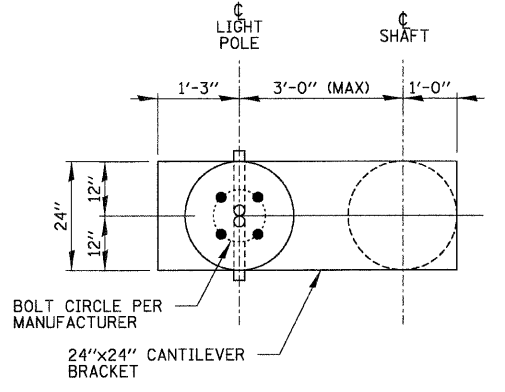
SECTION A-A **PLAN**

- NOTES:**
1. GROUND ROD SHALL BE CAST INTO CONCRETE FOUNDATION WITH 8 FEET IN CONTACT WITH SOIL.
 2. FOUNDATION WILL BE PAID FOR UNDER "LIGHT POLE FOUNDATION, 24" DIAMETER.
 3. USE THIS FOUNDATION FOR ALL LIGHT POLES, UNLESS OTHERWISE INDICATED, ON LIGHTING PLAN SHEETS.
 4. FOUNDATIONS SHALL NOT PROTRUDE MORE THAN 4" ABOVE FINISHED GRADE INCLUDING ANCHOR RODS.

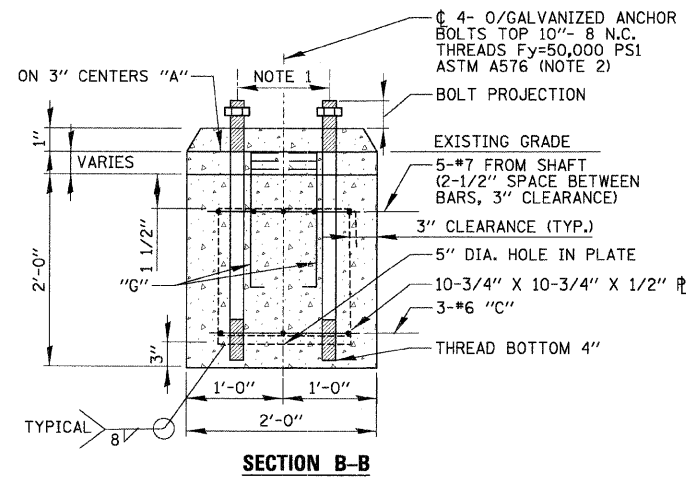
CONCRETE FOUNDATION DETAIL
N.T.S.



SECTION A-A

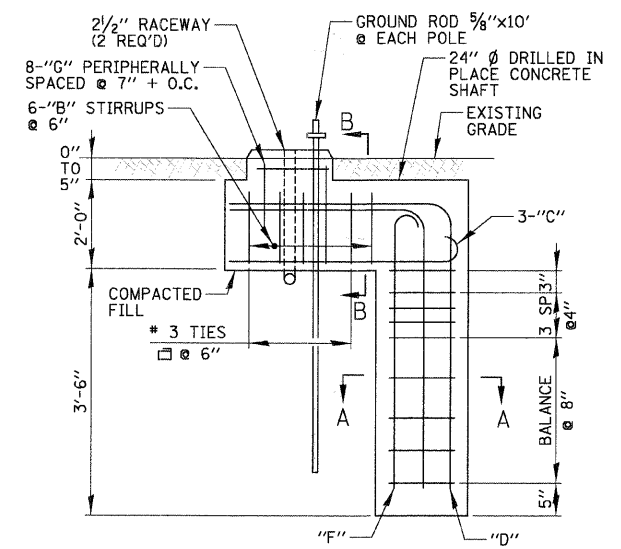


PLAN-CANTILEVERED BRACKET

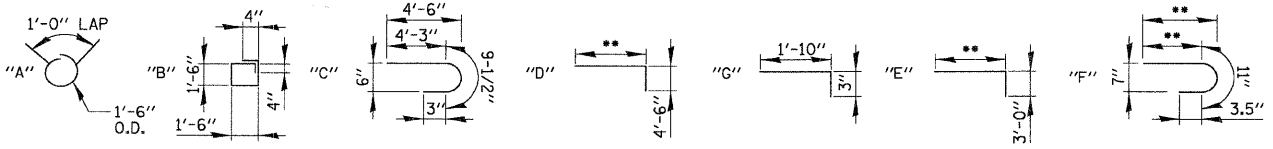


SECTION B-B

- NOTES:**
1. BOLT CIRCLE PER POLE MANUFACTURER
 2. THE TOP OF THE ANCHOR BOLTS SHALL NOT PROJECT MORE THAN 4" ABOVE A 60" CHORD ALIGNED RADIALLY TO THE CENTERLINE OF THE ROADWAY, AND CONNECTING ANY POINT, WITHIN THE LENGTH OF THE CHORD, ON THE GROUND SURFACE ON ONE SIDE OF THE SUPPORT TO A POINT ON THE GROUND SURFACE ON THE OTHER SIDE.
 3. CONCRETE SHALL BE 3500 PSI AT 14 DAYS
 4. HOLE FOR FOUNDATION SHAFT SHALL BE AUGERED
 5. REINFORCING BARS SHALL CONFORM TO BILLET STEEL BARS. (ASTM-A615) SPECIFICATIONS WITH A 6000 PSI MINIMUM YIELD STRENGTH.
 6. FOUNDATION AS SHOWN REPRESENTS 9.5 LINEAL FEET FOR "LIGHT POLE FOUNDATION, OFFSET, 24" DIAMETER".



ELEVATION



ORNAMENTAL LIGHT POLE OFFSET CONCRETE FOUNDATION DETAIL
N.T.S.

BILL OF MATERIALS				
QUAN.	MARK	SIZE	LENGTH	SHAPE
•	A	#3	5'-9"	○
6	B	#3	6'-8"	□
3	C	#6	5'-3 1/2"	⌢
8	D	#6	2'-1"	⌢
3	E	#7	**	⌢
2	F	#7	**	⌢
3	G	#7	**	⌢
				11
CLASS DS CONC. CU. YDS.			1.7	
ANCHOR BOLTS NO.			4	
ANCHOR BOLT PLATE NO.			1	

• QUANTITY AS REQUIRED
** SIZE AS REQUIRED