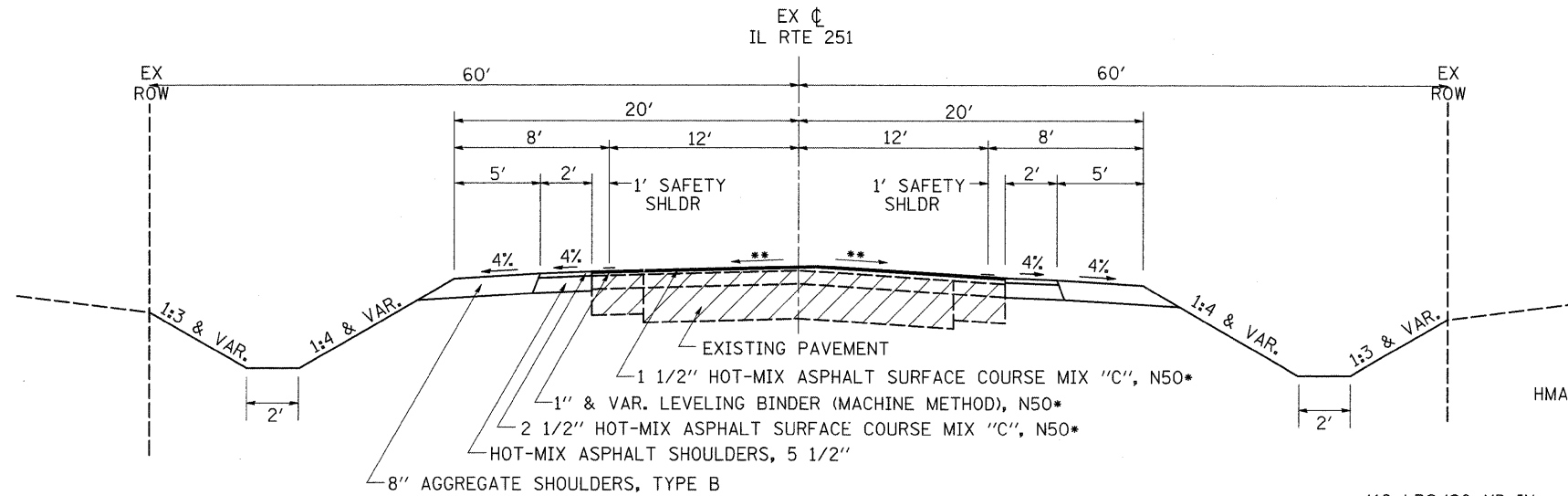
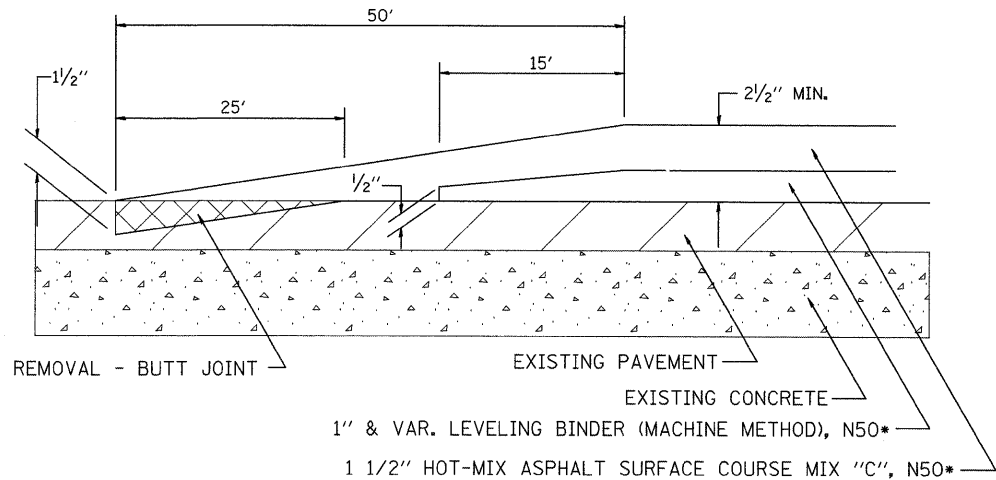


# TYPICAL SECTIONS

PROPOSED TYPICAL SECTION - IL RTE 251  
 STA 447+00 TO STA 448+26  
 STA 448+96 TO STA 450+50



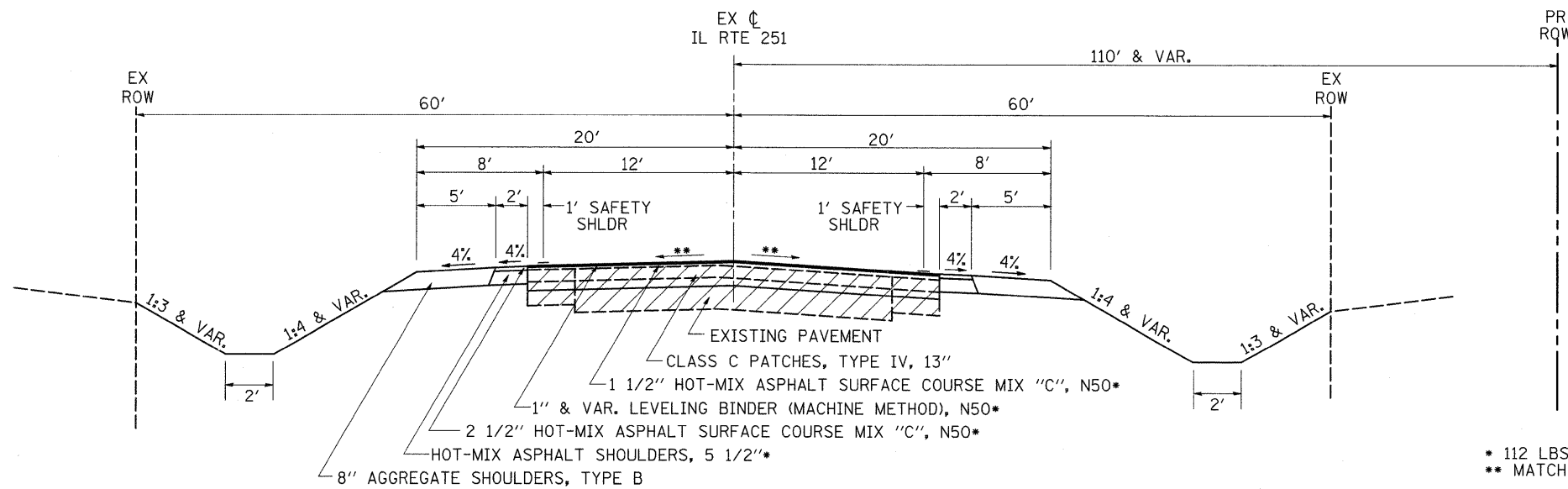
\* 112 LBS/SQ YD-IN  
 \*\* MATCH EXISTING



BUTT JOINT DETAIL

STA. 446+50 TO STA. 447+00  
 STA. 450+50 TO STA. 451+00

PROPOSED TYPICAL SECTION - IL RTE 251 @ PROPOSED CULVERT  
 STA 448+26 TO STA 448+96



\* 112 LBS/SQ YD-IN  
 \*\* MATCH EXISTING

FILE NAME =	USER NAME = cushmanbw	DESIGNED -	REVISED -	<b>STATE OF ILLINOIS DEPARTMENT OF TRANSPORTATION</b>	<b>TYPICAL SECTIONS</b>	F.A.S RTE.	SECTION	COUNTY	TOTAL SHEETS	SHEET NO.	
c:\pw\work\pwsdot\cushmanbw\dms37201\105typ.dgn	105typ.dgn	DRAWN -	REVISED -			1042	107T-1	OGLE	53	6	
PLOT SCALE = 50.0000' / IN.		CHECKED -	REVISED -			CONTRACT NO. 64B09					
PLOT DATE = Mon Dec 01 13:19:04 2008		DATE -	REVISED -			SCALE:	SHEET NO.	OF	SHEETS	STA.	TO STA.