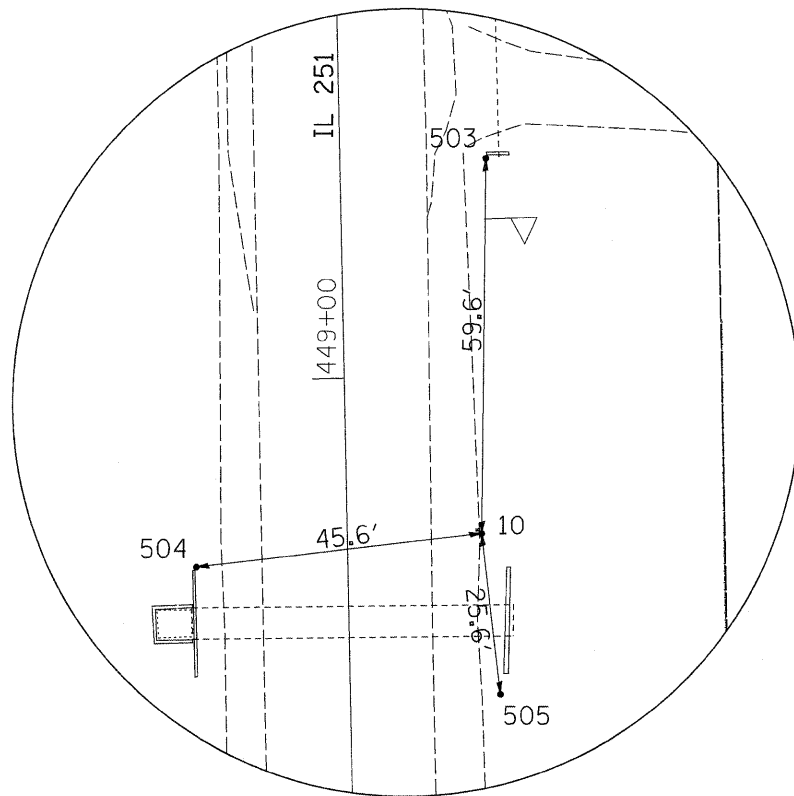


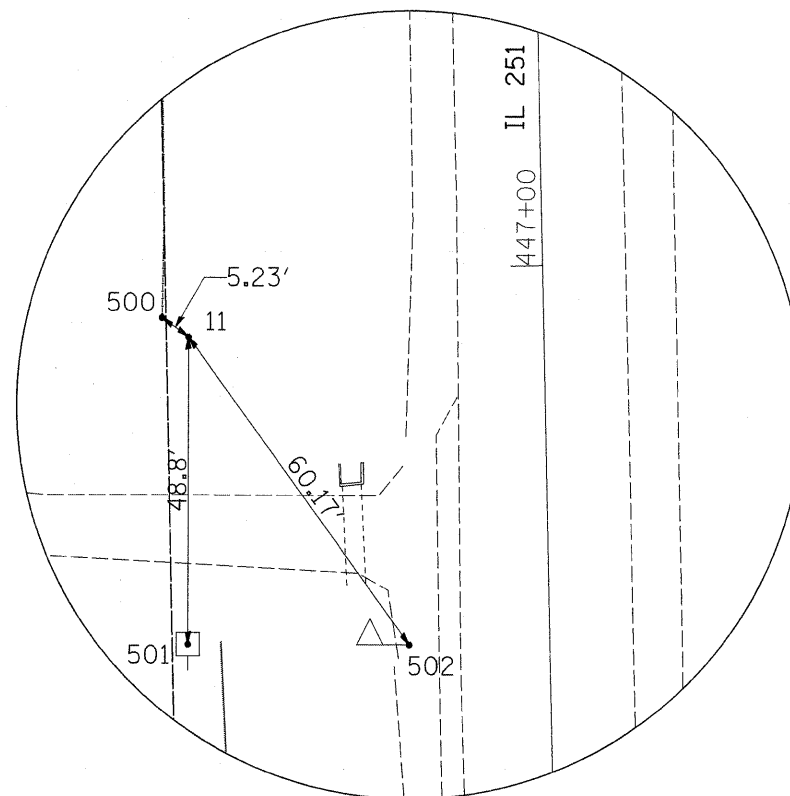
# HORIZONTAL & VERTICAL CONTROL



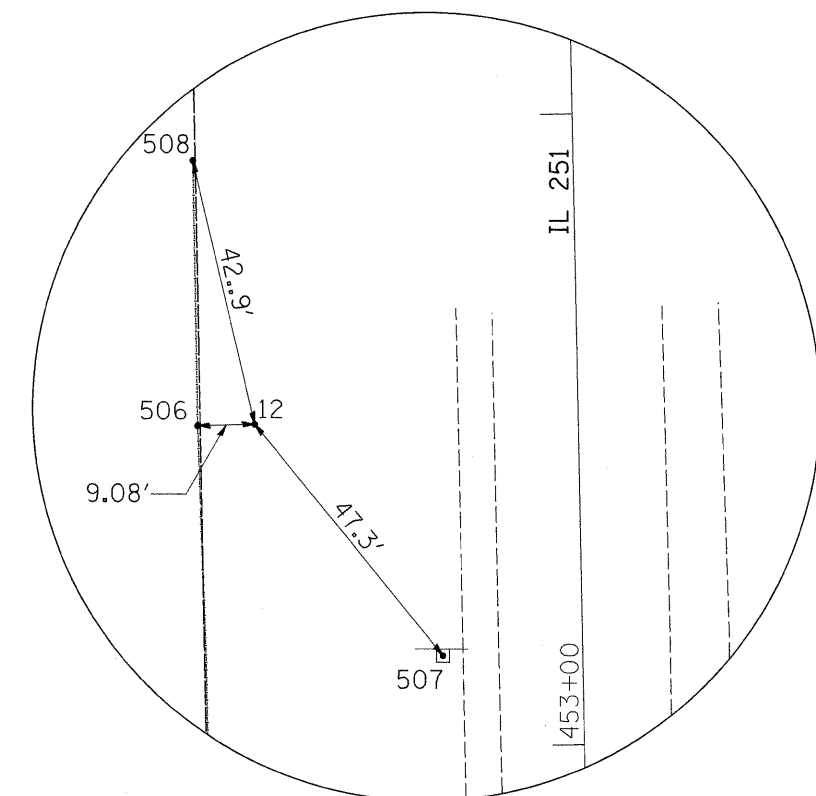
HORIZONTAL CONTROL POINTS							
POINT	NORTH	EAST	ELEVATION	CHAIN	STATION	OFFSET	DESCRIPTION
10	1948606.6780	2595835.8700	866.4690	IL251	448+74.7336	21.3606' RT	GPS CONTROL POINT, PIN
11	1948420.0790	2595762.1500	870.0940	IL251	446+89.8068	56.459' LT	GPS CONTROL POINT, PIN
12	1949082.0500	2595752.6510	876.9820	IL251	453+51.8262	51.3483' LT	GPS CONTROL POINT, PIN



HORIZONTAL CONTROL  
POINT No. 10



HORIZONTAL CONTROL  
POINT No. 11



HORIZONTAL CONTROL  
POINT No. 12

FILE NAME =	USER NAME = cushmanbw	DESIGNED -	REVISED -	<b>STATE OF ILLINOIS DEPARTMENT OF TRANSPORTATION</b>	<b>HORIZONTAL &amp; VERTICAL CONTROL</b>	F.A.S. RTE.	SECTION	COUNTY	TOTAL SHEETS	SHEET NO.	
ca\pwork\pwork\cushmanbw\dms37201\d0105hvc.dgn		DRAWN -	REVISED -			1042	107T-1	OGLE	53	14	
PLOT SCALE = 1/8" = 100'		CHECKED -	REVISED -			CONTRACT NO. 64B09					
PLOT DATE = Mon Dec 01 10:47:50 2008		DATE -	REVISED -			FED. ROAD DIST. NO. ILLINOIS FED. AID PROJECT					