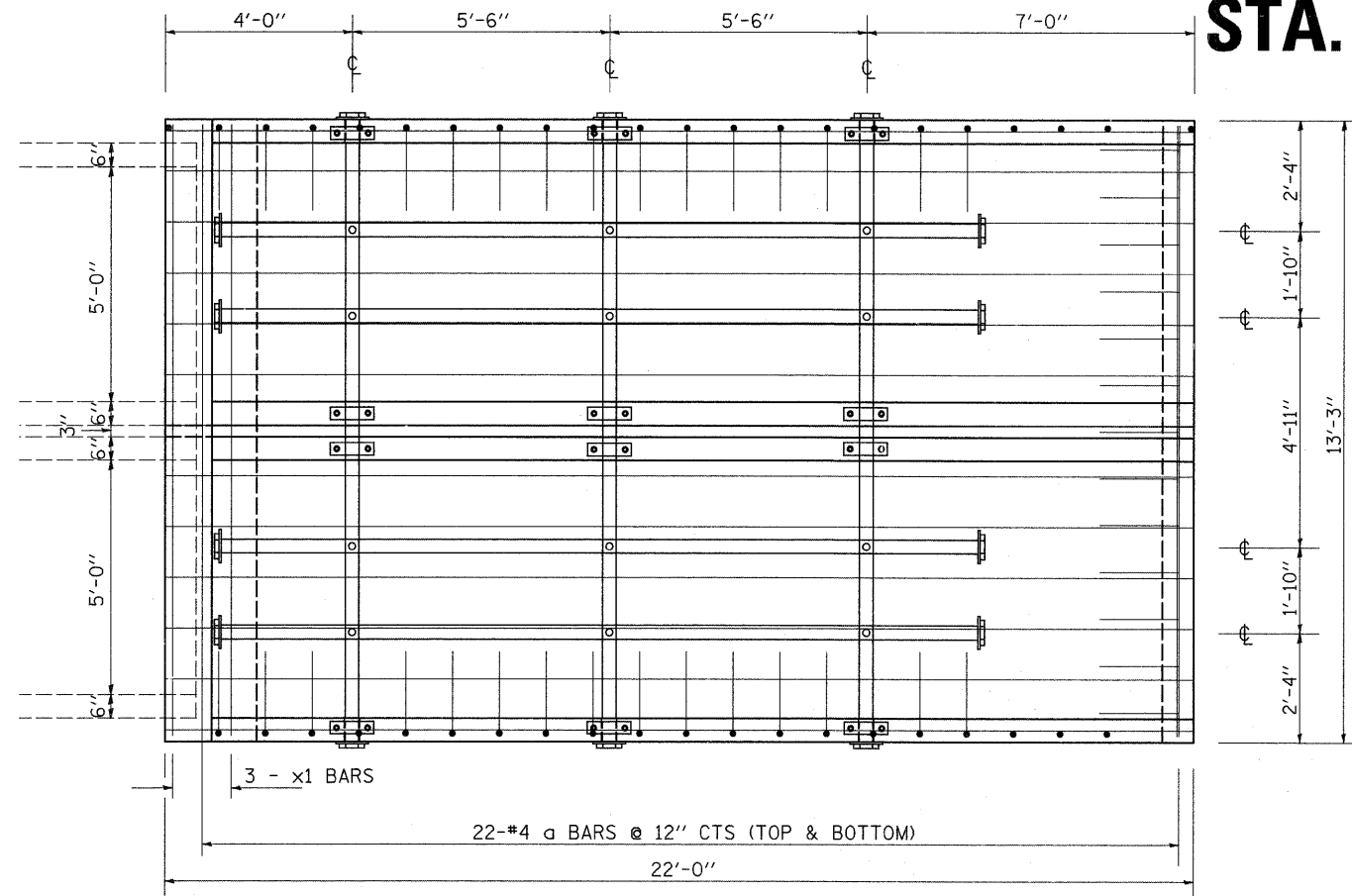
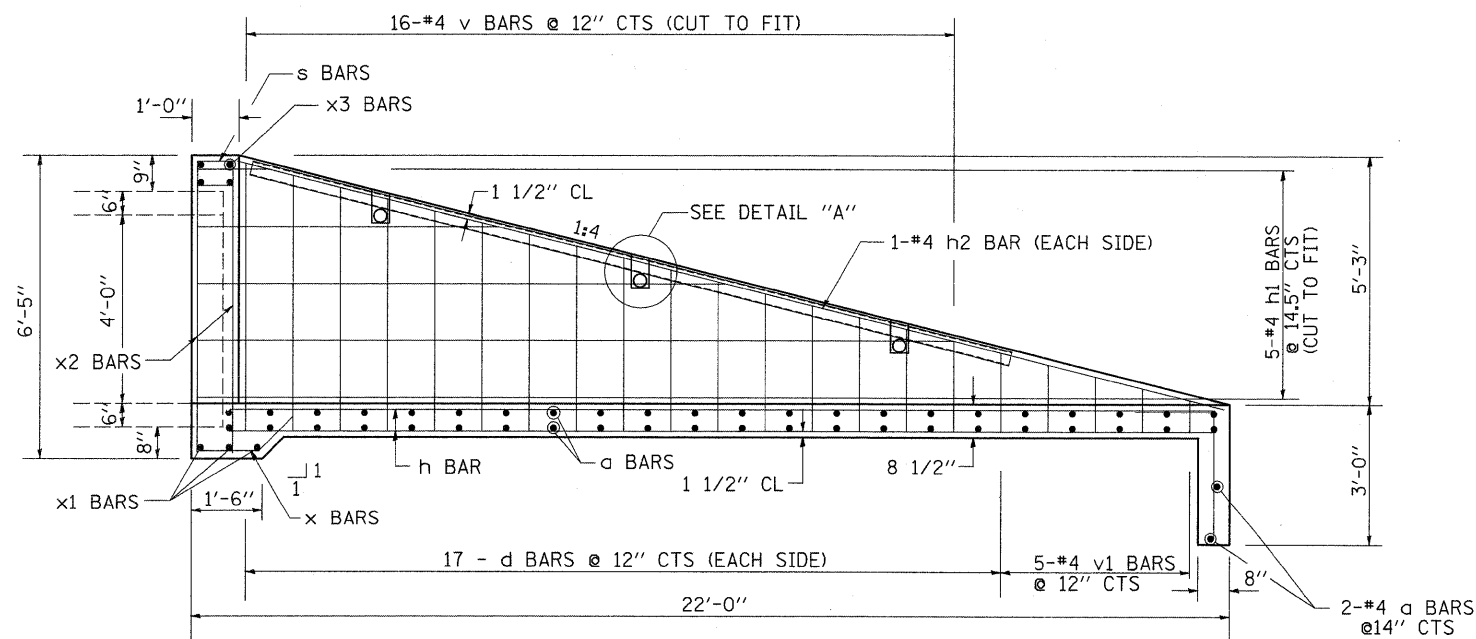


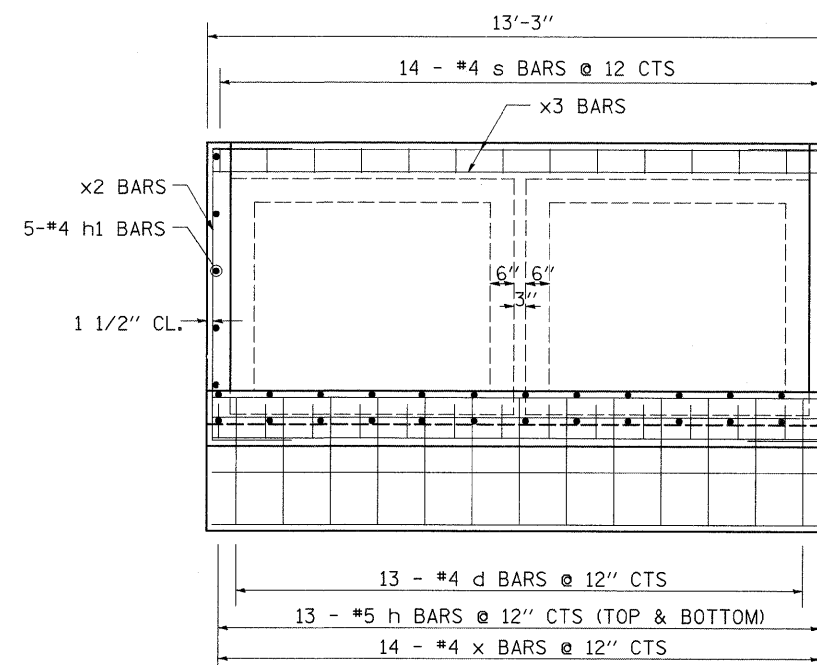
# BOX CULVERT END SECTION NO.1 STA. 448 + 61 RT



PLAN VIEW



LONGITUDINAL SECTION



END VIEW

FILE NAME =	USER NAME = cushmenbw	DESIGNED -	REVISED -	<b>STATE OF ILLINOIS DEPARTMENT OF TRANSPORTATION</b>	<b>BOX CULVERT END SECTION NO.1 STA. 448 + 61 RT</b>	F.A.S RTE.	SECTION	COUNTY	TOTAL SHEETS	SHEET NO.
ca\pwwork\pwwork\cushmenbw\dms37201\d07105soul.v.dgn		DRAWN -	REVISED -			1042	107T-1	OGLE	53	22
	PLOT SCALE = 50.0000 / IN.	CHECKED -	REVISED -							
	PLOT DATE = Mon Dec 01 10:47:21 2008	DATE -	REVISED -							
						SCALE: SHEET NO. 1 OF 2 SHEETS		STA. TO STA.		FED. ROAD DIST. NO. ILLINOIS FED. AID PROJECT
						CONTRACT NO. 64B09				