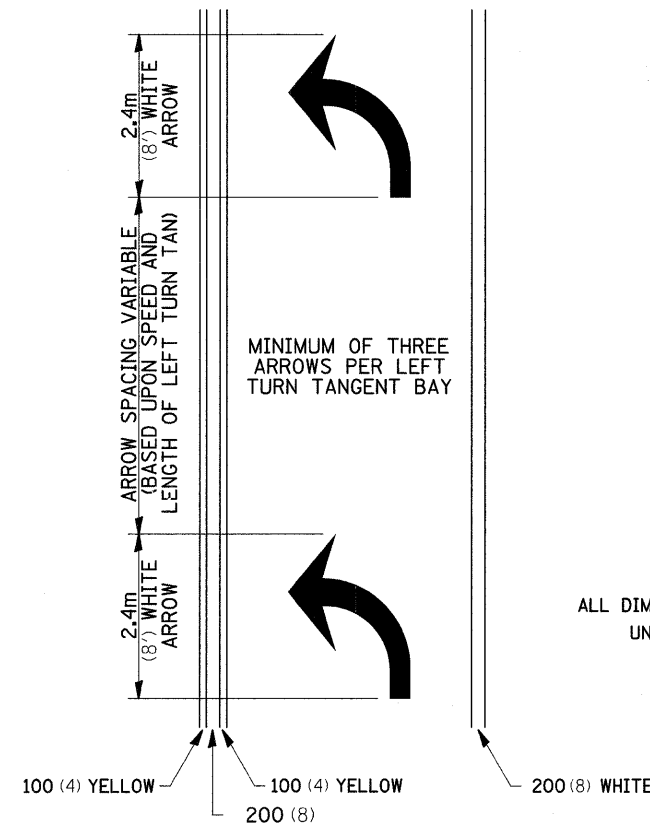


# TYPICAL PAVEMENT MARKINGS

## ARROW LAYOUT

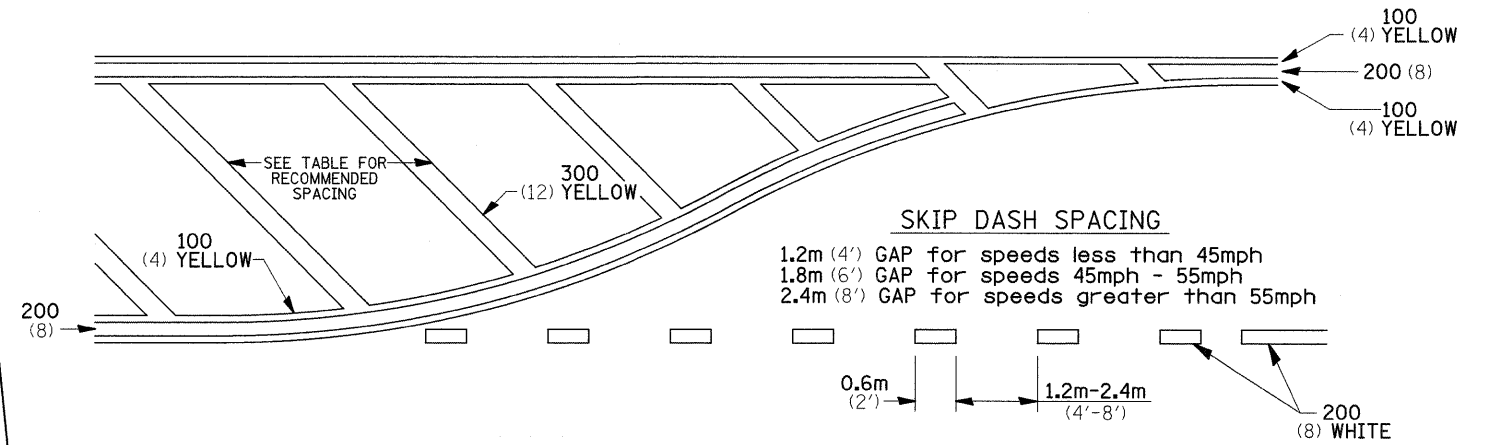


- ◀ ONE-WAY AMBER MARKER
- ◁ ONE-WAY CRYSTAL MARKER
- ◆ TWO-WAY AMBER MARKER

ALL DIMENSIONS ARE IN MILLIMETERS (INCHES) UNLESS OTHERWISE NOTED.

12.2m  
6 at (40') O.C.  
APPROACH SIDE ONLY

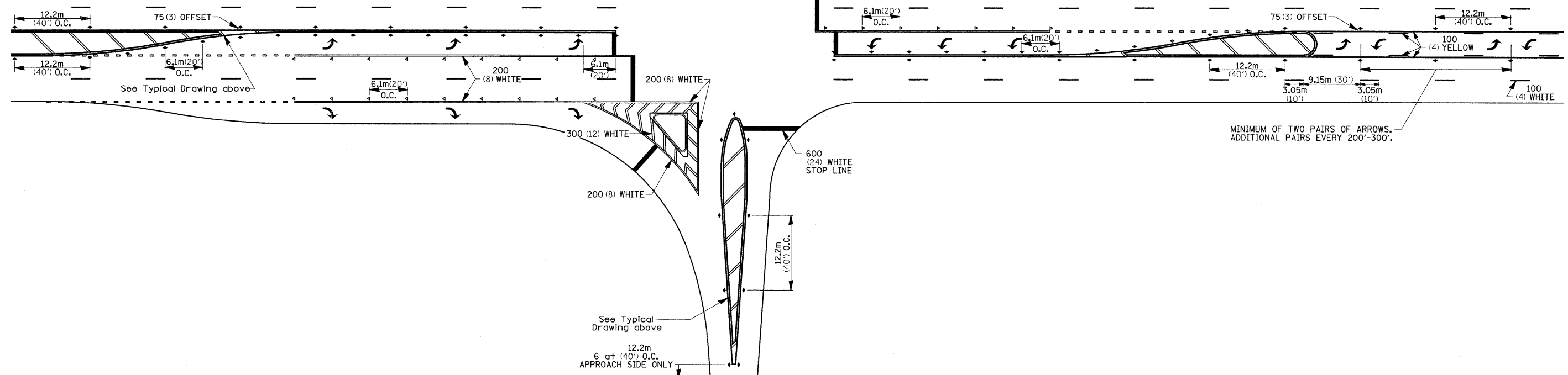
## TYPICAL PAVEMENT MARKING FOR FLUSH MEDIAN



## RECOMMENDED SPACING BETWEEN DIAGONALS (IN FEET)

Speed Limit Range	Continuous Median Area	Intersection Channelization	Objects (Islands)
less than 50km/H (30MPH)	15.3m (50')	4.53m (15')	3.05m (10')
50-60km/H (30-40MPH)	22.9m (75')	6.1m (20')	4.53m (15')
70km/H (45MPH) & over	22.9m (75')	9.05m (30')	6.1m (20')

NOTE: If the spacing recommended in the Table does not permit at least five diagonal lines in the area being marked, the spacing from the next lowest speed range should be used. The recommended spacing is measured parallel to the pavement center line.



FILE NAME =	USER NAME = cushmanbw	DESIGNED -	REVISED - 10-21-08	<b>STATE OF ILLINOIS DEPARTMENT OF TRANSPORTATION</b>	<b>REGION 2 / DISTRICT 2 STANDARD</b>				F.A.S. RTE.	SECTION	COUNTY	TOTAL SHEETS	SHEET NO.	
ct:\pwork\pwork\cushmanbw\dms37201\d07105spl.dgn	DRAWN -	REVISED -	REVISED -		SCALE:	SHEET NO.	OF SHEETS	STA.	TO STA.	1042	107T-1	OGLE	53	41
PLDT SCALE = 500.0000' / IN.	CHECKED -	REVISED -	REVISED -						CONTRACT NO.					
PLDT DATE = Mon Dec 01 10:48:11 2008	DATE -	REVISED -	REVISED -						FED. ROAD DIST. NO. ILLINOIS FED. AID PROJECT					