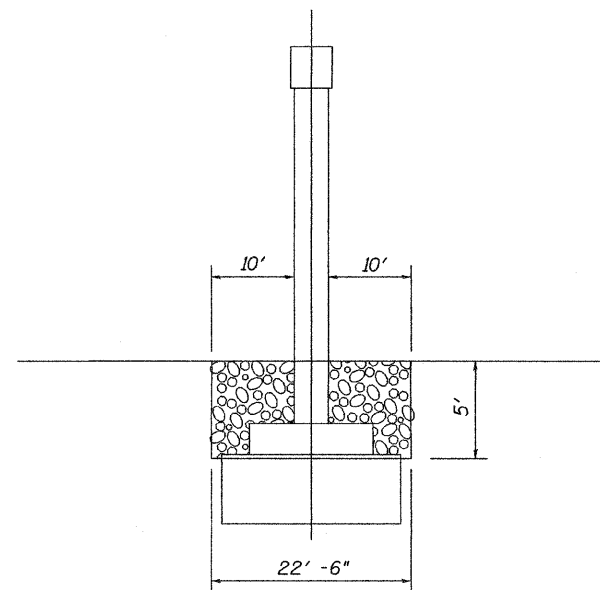
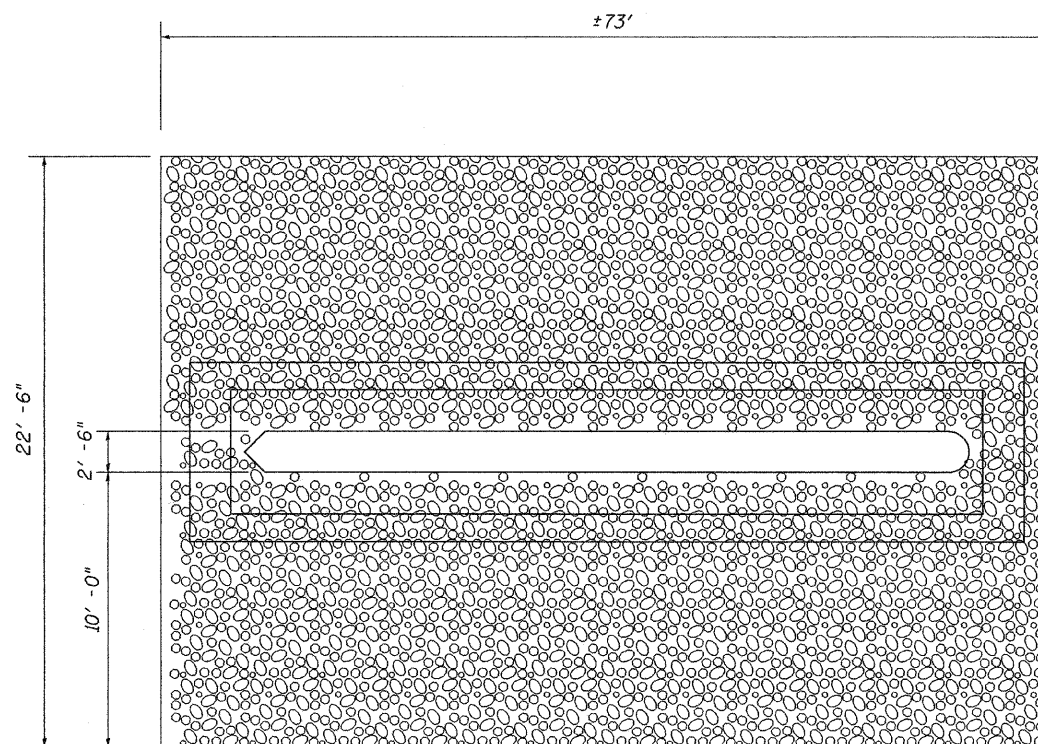


Pier #2 Elevation



Pier #2 End View




Pier #2 Plan View

Note: The 5' consists of placing 44" of A5 riprap with 16" of bedding in accordance with section 281 of the Standard Specifications. The filter fabric will be omitted.

BILL OF MATERIAL - PIER #2

ITEM	UNIT	TOTAL
Stone Bedding Material	Ton	150
Stone Riprap, Class A5	Ton	410

Legend

 STONE RIPRAP, CLASS A5 & Stone Bedding RR2

**PIER #2**  
**F.A.P. 301 (US 20) OVER**  
**PECATONICA RIVER**  
**SECTION (177-2B)M-1**  
**STEPHENSON COUNTY**  
**STR. NO. 089-0045**

FILE NAME =	USER NAME = #USER#	DESIGNED -	REVISED -	<b>STATE OF ILLINOIS DEPARTMENT OF TRANSPORTATION</b>	<b>Pier 2 Structure 089-0045</b>	F.A.P. RTE.	SECTION	COUNTY	TOTAL SHEETS	SHEET NO.
#FILE#		DRAWN -	REVISED -			301	(177-2B)M-1	STEPHENSON	6	6
PLOT SCALE = #SCALE#		CHECKED -	REVISED -			CONTRACT NO. 64D71				
PLOT DATE = #DATE#		DATE -	REVISED -			ILLINOIS FED. AID PROJECT				
				SCALE: _____	SHEET NO. ___ OF ___ SHEETS	STA. _____ TO STA. _____				