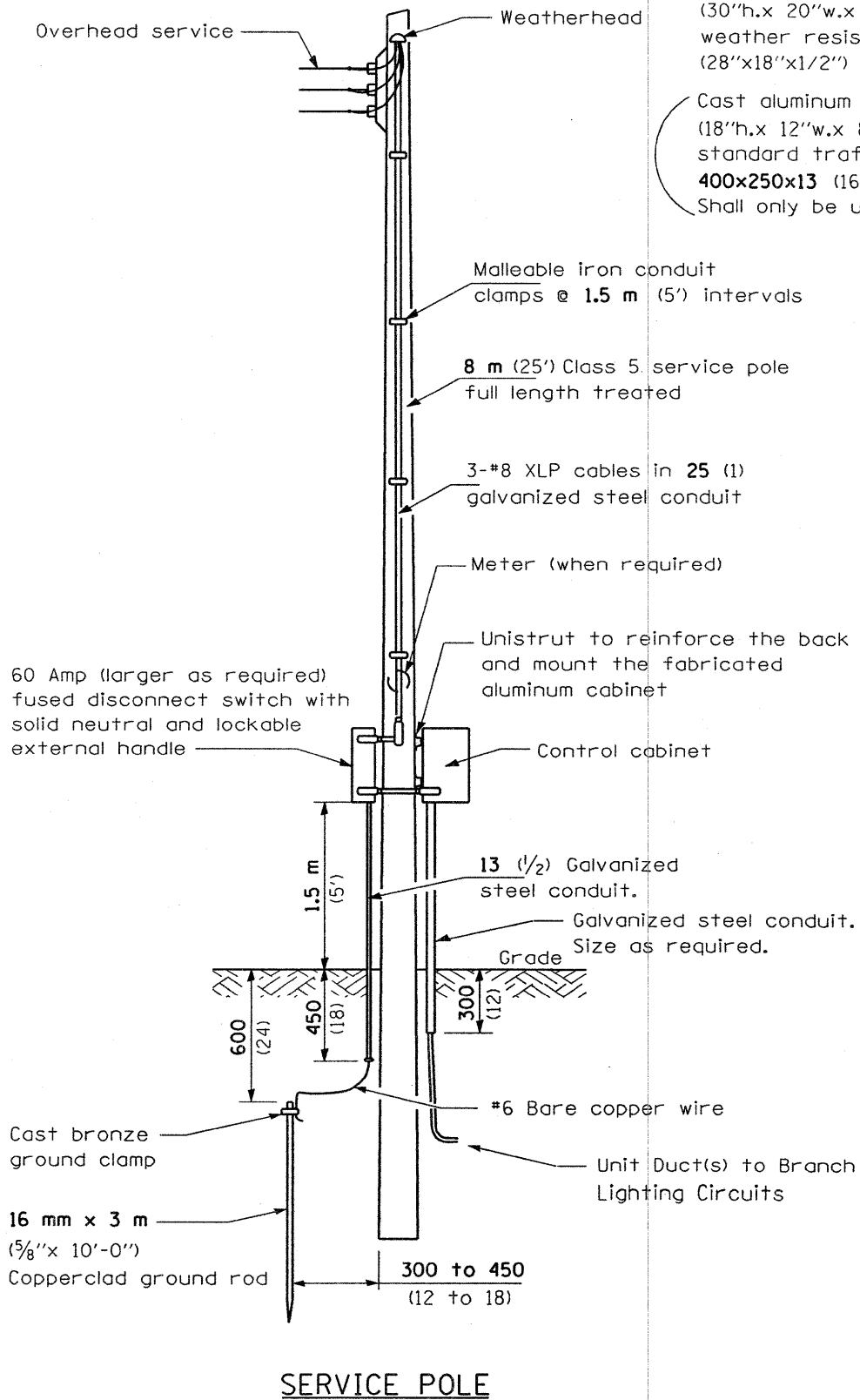


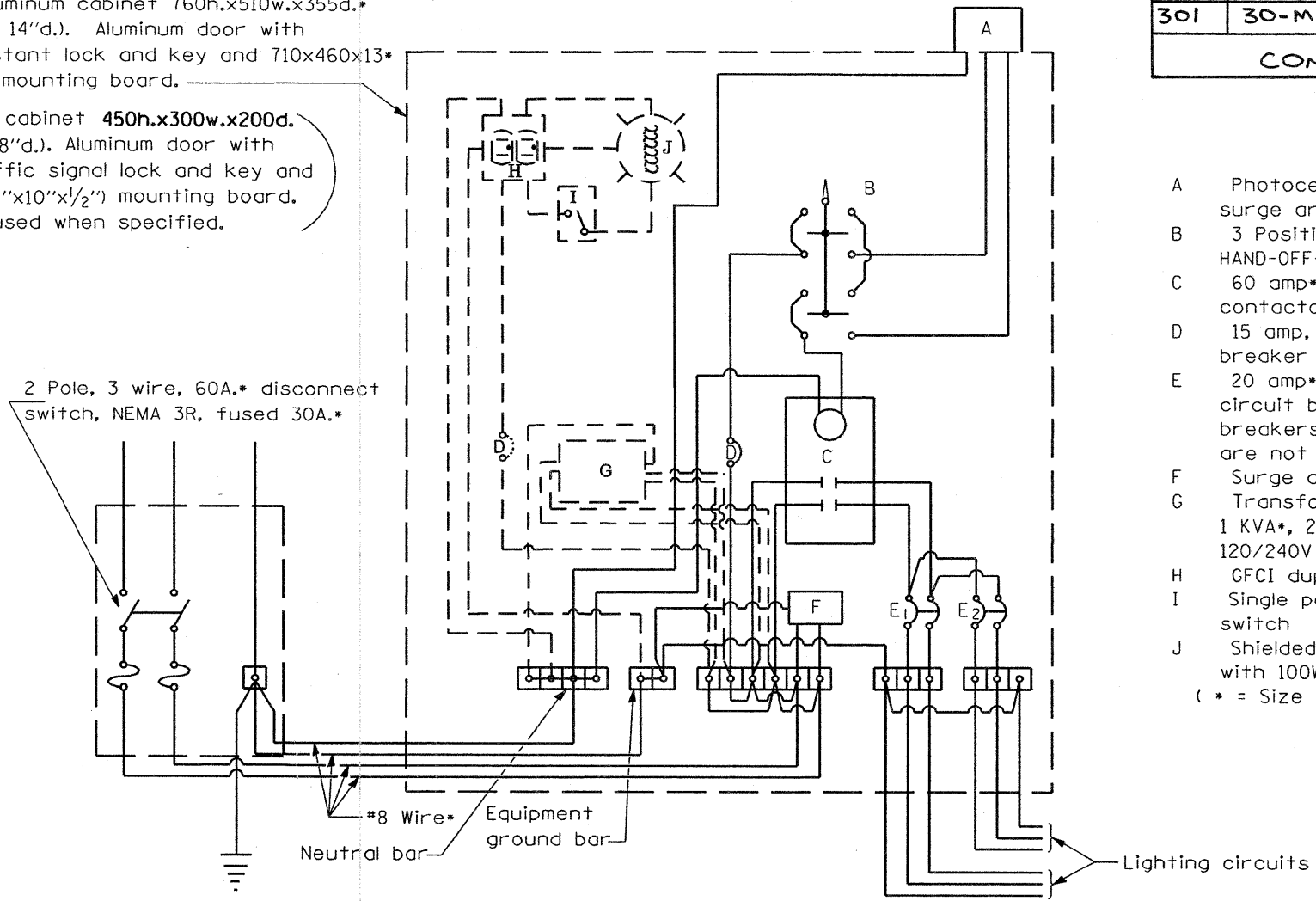
120/240V., 1 PHASE, 3 WIRE SERVICE



SERVICE POLE

Fabricated aluminum cabinet 760h.x510w.x355d.* (30"h.x 20"w.x 14"d.). Aluminum door with weather resistant lock and key and 710x460x13* (28"x18"x1/2") mounting board.

Cast aluminum cabinet 450h.x300w.x200d. (18"h.x 12"w.x 8"d.). Aluminum door with standard traffic signal lock and key and 400x250x13 (16"x10"x1/2") mounting board. Shall only be used when specified.



DISCONNECT SWITCH

PHOTOCELL RELAY

GENERAL NOTES

Wiring shall be panel board fashion. All bends shall be right angles. All runs shall be vertical or parallel to panel board. Wires shall be grouped or laced.

All control installation components shall be U.L. listed.

Label equipment ground and neutral.

Locate service pole and control installation adjacent to R.O.W. line with a minimum distance of 9 m (30') from the edge of pavement. Exact location shall be established by the Engineer.

The total distance between the control installation and primary transformer shall not exceed 76 m (250').

For 480 V service, a step down transformer (dashed lines) is required.

Add receptacle, light, and switch in control cabinet, when specified.

F.A.P. RTE.	SECTION	COUNTY	TOTAL SHEETS	SHEET NO.
301	30-M-2	JORDANESS	81	44

CONTRACT NO. 64E29

- A Photocell with integral surge arrester
 - B 3 Position selector switch HAND-OFF-AUTO
 - C 60 amp* electrically held contactor
 - D 15 amp, 1 pole, circuit breaker
 - E 20 amp*, 2 pole, branch circuit breaker. Two spare breakers are required but are not shown
 - F Surge arrestor
 - G Transformer (see notes), 1 KVA*, 240/480V primary, 120/240V sec, single phase
 - H GFCI duplex receptacle
 - I Single pole, single throw switch
 - J Shielded security fixture with 100W lamp
- (* = Size larger as needed)

- 240 V. SERVICE
- 480 V. SERVICE

DATE	REVISIONS
	Corrected 1/19/06
1/17/08	Service disconnect
2/3/08	SA wiring, cabinet notes

**CONTROL INSTALLATION
Service Pole Mounted**

All dimensions are in millimeters (inches) unless otherwise shown.